

(12) INTERNATIONAL APPLICATION PUBLISHED UNDER THE PATENT COOPERATION TREATY (PCT)

(19) World Intellectual Property  
Organization  
International Bureau



(43) International Publication Date  
29 April 2004 (29.04.2004)

PCT

(10) International Publication Number  
WO 2004/036590 A3

(51) International Patent Classification<sup>7</sup>: A61B 8/14

(21) International Application Number:  
PCT/US2003/032344

(22) International Filing Date: 9 October 2003 (09.10.2003)

(25) Filing Language: English

(26) Publication Language: English

(30) Priority Data:  
10/271,897 16 October 2002 (16.10.2002) US

(71) Applicant (for all designated States except US): ENVI-  
SIONEERING, L.L.C. [US/US]; 7165 Delmar Blvd.,  
Suite 212, St. Louis, MO 63130 (US).

(71) Applicant and

(72) Inventor: TAYLOR, James, D. [US/US]; 3237 Haas Av-  
enue, Bridgeton, MO 63044 (US).

(74) Agent: DENK, Paul, M.; Paul M. Denk Law Firm, 763 S.  
New Ballas Road, Ste. 170, St. Louis, MO 63141 (US).

(81) Designated States (national): AE, AG, AL, AM, AT, AU,  
AZ, BA, BB, BG, BR, BY, BZ, CA, CH, CN, CO, CR, CU,

CZ, DE, DK, DM, DZ, EC, EE, EG, ES, FI, GB, GD, GE,  
GH, GM, HR, HU, ID, IL, IN, IS, JP, KE, KG, KP, KR,  
KZ, LC, LK, LR, LS, LT, LU, LV, MA, MD, MG, MK,  
MN, MW, MX, MZ, NI, NO, NZ, OM, PG, PH, PL, PT,  
RO, RU, SC, SD, SE, SG, SK, SL, SY, TJ, TM, TN, TR,  
TT, TZ, UA, UG, US, UZ, VC, VN, YU, ZA, ZM, ZW.

(84) Designated States (regional): ARIPO patent (GH, GM,  
KE, LS, MW, MZ, SD, SL, SZ, TZ, UG, ZM, ZW),  
Eurasian patent (AM, AZ, BY, KG, KZ, MD, RU, TJ, TM),  
European patent (AT, BE, BG, CH, CY, CZ, DE, DK, EE,  
ES, FI, FR, GB, GR, HU, IE, IT, LU, MC, NL, PT, RO,  
SE, SI, SK, TR), OAPI patent (BF, BJ, CF, CG, CI, CM,  
GA, GN, GQ, GW, ML, MR, NE, SN, TD, TG).

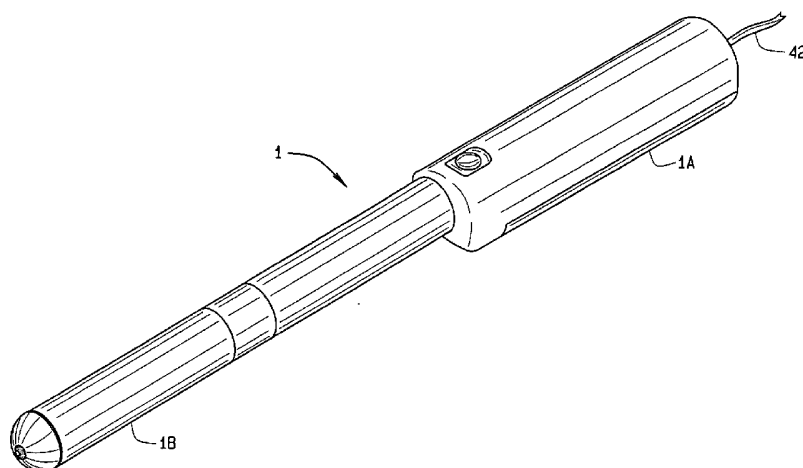
**Published:**

- with international search report
- before the expiration of the time limit for amending the  
claims and to be republished in the event of receipt of  
amendments

(88) Date of publication of the international search report:  
24 March 2005

For two-letter codes and other abbreviations, refer to the "Guid-  
ance Notes on Codes and Abbreviations" appearing at the begin-  
ning of each regular issue of the PCT Gazette.

(54) Title: SCANNING PROBE



(57) Abstract: An ultrasound cavital probe (1) suitable for transrectal or other usage, includes an ultrasound probe, having an outer housing, a pair of motors (2, 5) within one end of the housing, a first shaft (13) operatively associated with one of the motors (2, 5) to provide longitudinal movement to the ultrasound transducer (11), while a second shaft (14) operatively associated with the second motor, and which extends through the hollow interior of the first said shaft (13), provides for pivotal or rotary movement to the ultrasound transducer (11) and probe (1), to furnish a 2-dimensional view of the surrounding anatomy, and which in combination with the movement from the first shaft (13), furnishes a 3-dimensional volumetric scan of the surrounding anatomy, along with facilitating the image plane movements normally obtained by a standard probe while used in a stepping device.

WO 2004/036590 A3

**INTERNATIONAL SEARCH REPORT**

International application No.

PCT/US03/32344

**A. CLASSIFICATION OF SUBJECT MATTER**

IPC(7) : A61B 8/14  
 US CL : 600/459

According to International Patent Classification (IPC) or to both national classification and IPC

**B. FIELDS SEARCHED**

Minimum documentation searched (classification system followed by classification symbols)  
 U.S. : 600/437, 441, 442, 443, 447, 459-472; 128/916

Documentation searched other than minimum documentation to the extent that such documents are included in the fields searched

Electronic data base consulted during the international search (name of data base and, where practicable, search terms used)  
 Please See Continuation Sheet

**C. DOCUMENTS CONSIDERED TO BE RELEVANT**

| Category *    | Citation of document, with indication, where appropriate, of the relevant passages              | Relevant to claim No.        |
|---------------|---|------------------------------|
| X<br>---<br>A | US 5,170,793 A (TAKANO et al.) 15 December 1992 (15.12.1992), col.2, line 28 - col. 8, line 14. | 1-3, 7, 9-16<br>-----<br>4-6 |
| X             | US 4,374,525 A (BABA) 22 February 1983 (22.02.1983), Figs. 1-7.                                 | 1-3, 7, 9-16                 |
| X             | US 4,802,458 A (FINSTERWALD et al.) 07 February 1989 (07.02.1989), cols. 2-4.                   | 1-3, 7, 9-16                 |

Further documents are listed in the continuation of Box C.

See patent family annex.

|   |  |
|---|--|
| * Special categories of cited documents:  | "T" later document published after the international filing date or priority date and not in conflict with the application but cited to understand the principle or theory underlying the invention  |
| "A" document defining the general state of the art which is not considered to be of particular relevance  | "X" document of particular relevance; the claimed invention cannot be considered novel or cannot be considered to involve an inventive step when the document is taken alone   |
| "E" earlier application or patent published on or after the international filing date   | "Y" document of particular relevance; the claimed invention cannot be considered to involve an inventive step when the document is combined with one or more other such documents, such combination being obvious to a person skilled in the art |
| "L" document which may throw doubts on priority claim(s) or which is cited to establish the publication date of another citation or other special reason (as specified) | "&" document member of the same patent family  |
| "O" document referring to an oral disclosure, use, exhibition or other means  |  |
| "P" document published prior to the international filing date but later than the priority date claimed  |  |

Date of the actual completion of the international search

10 December 2004 (10.12.2004)

Date of mailing of the international search report

**19 JAN 2005**

Name and mailing address of the ISA/US

Mail Stop PCT, Attn: ISA/US  
 Commissioner for Patents  
 P.O. Box 1450  
 Alexandria, Virginia 22313-1450

Facsimile No. (703) 305-3230

Authorized officer

Ah Imam

Telephone No. 703-308-1148

**INTERNATIONAL SEARCH REPORT**

PCT/US03/32344

**Continuation of B. FIELDS SEARCHED Item 3:**  
EAST  
search terms: ultrasound, motor, shaft, track, path