



(51) International Patent Classification:

A61B 5/103 (2006.01) A43D 1/02 (2006.01)
A61B 5/107 (2006.01) A61B 5/00 (2006.01)

(21) International Application Number:

PCT/US2014/033859

(22) International Filing Date:

11 April 2014 (11.04.2014)

(25) Filing Language:

English

(26) Publication Language:

English

(30) Priority Data:

61/811,590 12 April 2013 (12.04.2013) US

(71) Applicant: ORTHERA INC. [US/US]; 8665 Miralani Drive, Suite 300, San Diego, California 92126 (US).

(72) Inventors: PICHLER, Thomas; 8665 Miralani Drive, Suite 300, San Diego, California 92126 (US). BEDFORD, Nolan; 8665 Miralani Drive, Suite 300, San Diego, California 92126 (US). GONZALEZ, Cristobal; 8665 Miralani Drive, Suite 300, San Diego, California 92126 (US). PICHLER, Sonja; 8665 Miralani Drive, Suite 300, San Diego, California 92126 (US). PAYEA, Craig; 8665 Miralani Drive, Suite 300, San Diego, California 92126 (US).

(74) Agent: SCHAFFER, Christopher P.; Kilpatrick Townsend & Stockton LLP, Two Embarcadero Center, Eighth Floor, San Francisco, California 94111 (US).

(81) Designated States (unless otherwise indicated, for every kind of national protection available): AE, AG, AL, AM, AO, AT, AU, AZ, BA, BB, BG, BH, BN, BR, BW, BY, BZ, CA, CH, CL, CN, CO, CR, CU, CZ, DE, DK, DM, DO, DZ, EC, EE, EG, ES, FI, GB, GD, GE, GH, GM, GT, HN, HR, HU, ID, IL, IN, IR, IS, JP, KE, KG, KN, KP, KR, KZ, LA, LC, LK, LR, LS, LT, LU, LY, MA, MD, ME, MG, MK, MN, MW, MX, MY, MZ, NA, NG, NI, NO, NZ, OM, PA, PE, PG, PH, PL, PT, QA, RO, RS, RU, RW, SA, SC, SD, SE, SG, SK, SL, SM, ST, SV, SY, TH, TJ, TM, TN, TR, TT, TZ, UA, UG, US, UZ, VC, VN, ZA, ZM, ZW.

(84) Designated States (unless otherwise indicated, for every kind of regional protection available): ARIPO (BW, GH, GM, KE, LR, LS, MW, MZ, NA, RW, SD, SL, SZ, TZ, UG, ZM, ZW), Eurasian (AM, AZ, BY, KG, KZ, RU, TJ, TM), European (AL, AT, BE, BG, CH, CY, CZ, DE, DK, EE, ES, FI, FR, GB, GR, HR, HU, IE, IS, IT, LT, LU, LV, MC, MK, MT, NL, NO, PL, PT, RO, RS, SE, SI, SK, SM, TR), OAPI (BF, BJ, CF, CG, CI, CM, GA, GN, GQ, GW, KM, ML, MR, NE, SN, TD, TG).

[Continued on next page]

(54) Title: PRESSURE PLATE DEVICE FOR ORTHOTIC SELECTION

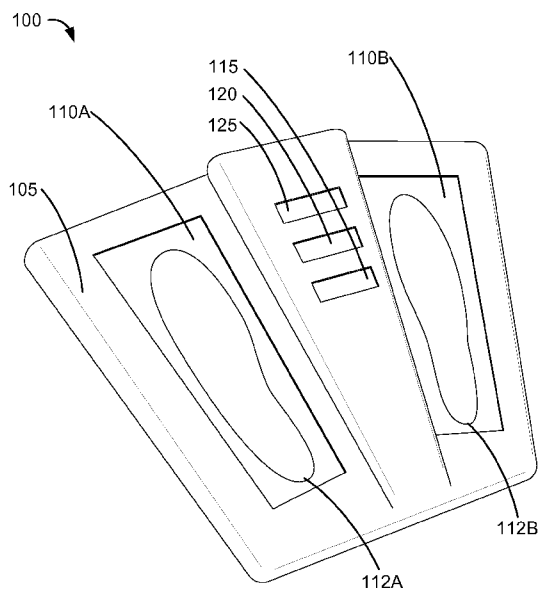


FIG. 1

(57) Abstract: A foot pressure measurement and foot length measurement device employs a plurality of pressure sensors and an optical foot length measurement system. The device also includes a computer that can perform an analysis of the foot pressure and length data to select an appropriate orthotic device. The foot measurement device may be integrated into a kiosk. Orthotic devices that have myriad configurations are also disclosed.



Published:

— *with international search report (Art. 21(3))*

(88) Date of publication of the international search report:

19 May 2016

INTERNATIONAL SEARCH REPORT

International application No.
PCT/US2014/033859**A. CLASSIFICATION OF SUBJECT MATTER****A61B 5/103(2006.01)i, A61B 5/107(2006.01)i, A43D 1/02(2006.01)i, A61B 5/00(2006.01)i**

According to International Patent Classification (IPC) or to both national classification and IPC

B. FIELDS SEARCHED

Minimum documentation searched (classification system followed by classification symbols)

A61B 5/103; G02B 26/08; G01B 11/02; G01N 33/00; G01L 5/28; A43D 21/00; A61B 5/11; A43D 1/02; A61B 5/107; A61B 5/00

Documentation searched other than minimum documentation to the extent that such documents are included in the fields searched

Korean utility models and applications for utility models

Japanese utility models and applications for utility models

Electronic data base consulted during the international search (name of data base and, where practicable, search terms used)

eKOMPASS(KIPO internal) & keywords: foot, pressure sensor, optical, kiosk, contour

C. DOCUMENTS CONSIDERED TO BE RELEVANT

Category*	Citation of document, with indication, where appropriate, of the relevant passages	Relevant to claim No.
X	US 2010-0286951 A1 (NOAM DANENBERG et al.) 11 November 2010 See abstract, paragraph [0045], claims 1,7 and figures 1-3B.	1,3-5
Y		2,6-20
Y	US 2012-0198949 A1 (BIN XIA et al.) 09 August 2012 See abstract, paragraphs [0032],[0045]-[0080],[0105] and figures 1-9c.	2,6-20
A	US 5790256 A (ALGIE C. BROWN et al.) 04 August 1998 See abstract, claims 1-8 and figures 1-6.	1-20
A	US 2007-0245504 A1 (DONALD SPECTOR) 25 October 2007 See abstract, paragraphs [0032]-[0054] and figures 1-9.	1-20
A	KR 10-2011-0024299 A (ELECTRONICS AND TELECOMMUNICATIONS RESEARCH INSTITUTE) 09 March 2011 See abstract, paragraphs [0028]-[0049] and figure 1.	1-20

 Further documents are listed in the continuation of Box C. See patent family annex.

* Special categories of cited documents:

"A" document defining the general state of the art which is not considered to be of particular relevance

"E" earlier application or patent but published on or after the international filing date

"L" document which may throw doubts on priority claim(s) or which is cited to establish the publication date of another citation or other special reason (as specified)

"O" document referring to an oral disclosure, use, exhibition or other means

"P" document published prior to the international filing date but later than the priority date claimed

"T" later document published after the international filing date or priority date and not in conflict with the application but cited to understand the principle or theory underlying the invention

"X" document of particular relevance; the claimed invention cannot be considered novel or cannot be considered to involve an inventive step when the document is taken alone

"Y" document of particular relevance; the claimed invention cannot be considered to involve an inventive step when the document is combined with one or more other such documents, such combination being obvious to a person skilled in the art

"&" document member of the same patent family

Date of the actual completion of the international search

29 February 2016 (29.02.2016)

Date of mailing of the international search report

29 February 2016 (29.02.2016)

Name and mailing address of the ISA/KR

International Application Division

Korean Intellectual Property Office

189 Cheongsa-ro, Seo-gu, Daejeon, 35208, Republic of Korea

Facsimile No. +82-42-472-7140

Authorized officer

COMMISSIONER

Telephone No. +82-42-481-8116



INTERNATIONAL SEARCH REPORT

Information on patent family members

International application No.

PCT/US2014/033859

Patent document cited in search report	Publication date	Patent family member(s)	Publication date
US 2010-0286951 A1	11/11/2010	AU 2009-203514 A1	16/07/2009
		AU 2009-203514 B2	05/07/2012
		CN 101917882 A	15/12/2010
		EP 2229068 A1	22/09/2010
		IL 188645 A	29/12/2011
		IL 188645 B	29/12/2011
		IL 188645 D0	03/11/2008
		IL 206762 D0	30/12/2010
		WO 2009-087618 A1	16/07/2009
		WO 2009-087618 A8	15/10/2009
		US 2012-0198949 A1	09/08/2012
TW 201341772 A	16/10/2013		
TW I440836 B	11/06/2014		
TW I495860 B	11/08/2015		
US 2014-033829 A1	06/02/2014		
US 2014-107966 A1	17/04/2014		
US 2014-107967 A1	17/04/2014		
US 2014-107968 A1	17/04/2014		
US 9038482 B2	26/05/2015		
US 5790256 A	04/08/1998		
		US 6331893 B1	18/12/2001
		WO 95-27185 A1	12/10/1995
US 2007-0245504 A1	25/10/2007	US 2007-0250287 A1	25/10/2007
		US 2014-039657 A1	06/02/2014
		US 8583272 B2	12/11/2013
		WO 2007-124402 A2	01/11/2007
		WO 2007-124402 A3	17/07/2008
KR 10-2011-0024299 A	09/03/2011	US 2011-0054358 A1	03/03/2011