



US00D825322S

(12) **United States Design Patent** (10) **Patent No.:** **US D825,322 S**  
**Sears et al.** (45) **Date of Patent:** **\*\* Aug. 14, 2018**

(54) **NUT FOR BOLT** 4,294,300 A \* 10/1981 Bouwman ..... F16B 39/282  
411/185

(71) Applicants: **Aaron Sears**, Itasca, IL (US); **Matt Benoist**, Itasca, IL (US); **Michael Herdman**, Itasca, IL (US) 6,099,190 A \* 8/2000 Honobe ..... B60T 8/3685  
248/225.11

(72) Inventors: **Aaron Sears**, Itasca, IL (US); **Matt Benoist**, Itasca, IL (US); **Michael Herdman**, Itasca, IL (US) D459,207 S \* 6/2002 Miyata ..... D8/397  
D482,957 S \* 12/2003 Lajeunesse ..... D8/387  
D602,349 S \* 10/2009 Andersson ..... D8/399  
D604,600 S \* 11/2009 Lesesky ..... D8/387  
D609,999 S \* 2/2010 Andersson ..... D8/399  
D726,531 S \* 4/2015 Muzic ..... D8/387  
D760,582 S \* 7/2016 Muzic ..... D8/387  
D764,267 S \* 8/2016 Hutter, III ..... D8/387  
D800,544 S \* 10/2017 Schuit ..... D8/397  
9,835,193 B2 \* 12/2017 Pritchard ..... F16B 35/047

(73) Assignee: **SHAMROCK INTERNATIONAL FASTENER LLC**, Itasca, IL (US) 2002/0127079 A1 \* 9/2002 Kersten ..... F16B 31/02  
411/8

(\*\*) Term: **15 Years** 2003/0108403 A1 \* 6/2003 Scoyoc ..... F16B 35/041  
411/421

(21) Appl. No.: **29/589,797** 2003/0190218 A1 \* 10/2003 Andersson ..... F16B 39/282  
411/533

(22) Filed: **Jan. 4, 2017**

(51) **LOC (11) Cl.** ..... **08-08**

(52) **U.S. Cl.** ..... **D8/397**

(58) **Field of Classification Search**  
USPC ..... D8/349, 382, 385, 387, 388, 391, 393,  
D8/397, 399  
CPC .. F16B 23/00; F16B 23/0007; F16B 23/0069;  
F16B 35/04; F16B 35/06; F16B 35/044;  
F16B 35/047; F16B 37/00; F16B 37/08;  
F16B 39/282; B23G 1/00; B21D 53/24;  
B21K 1/64

See application file for complete search history.

(Continued)

*Primary Examiner* — Sandra S Snapp  
*Assistant Examiner* — Ieisha N Price  
(74) *Attorney, Agent, or Firm* — Justin Lampel

(57) **CLAIM**

The ornamental design for a nut for bolt, as shown and described.

**DESCRIPTION**

FIG. 1 is a perspective view of the nut for bolt;  
FIG. 2 is a side view of the nut for bolt;  
FIG. 3 is a side view of the nut for bolt;  
FIG. 4 is a side view of the nut for bolt;  
FIG. 5 is a side view of the nut for bolt;  
FIG. 6 is a top view of the nut for bolt; and,  
FIG. 7 is a bottom view of the nut for bolt.  
The broken line showing is for illustrative purposes only and forms no part of the claimed design.

**1 Claim, 3 Drawing Sheets**

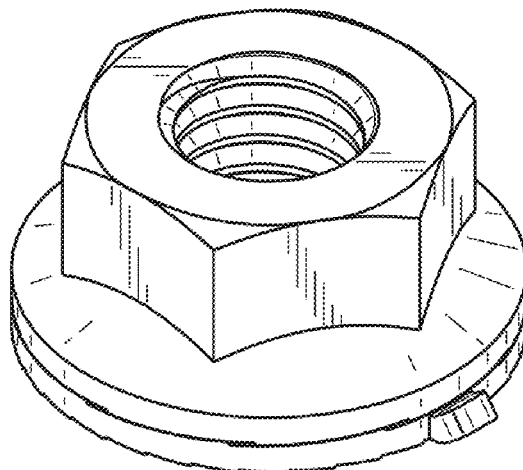
(56) **References Cited**  
U.S. PATENT DOCUMENTS

3,275,055 A \* 9/1966 Gutshall ..... F16B 39/24  
411/134

4,094,352 A \* 6/1978 Hlinsky ..... F16B 39/282  
411/185

4,220,188 A \* 9/1980 McMurray ..... F16B 39/282  
411/188

4,290,469 A \* 9/1981 Nakae ..... F16B 39/282  
411/185



(56)

**References Cited**

U.S. PATENT DOCUMENTS

2007/0128003 A1\* 6/2007 Shiu ..... F16B 39/282  
411/533  
2010/0047037 A1\* 2/2010 Ishida ..... F16B 37/00  
411/427  
2010/0098511 A1\* 4/2010 Andersson ..... F16B 39/282  
411/149  
2013/0170922 A1\* 7/2013 Persson ..... B21D 53/22  
411/161  
2014/0037399 A1\* 2/2014 Hyatt ..... F16B 39/282  
411/87  
2016/0146242 A1\* 5/2016 Andersson ..... F16B 39/24  
411/149  
2016/0282016 A1\* 9/2016 Ash ..... F24J 2/46

\* cited by examiner

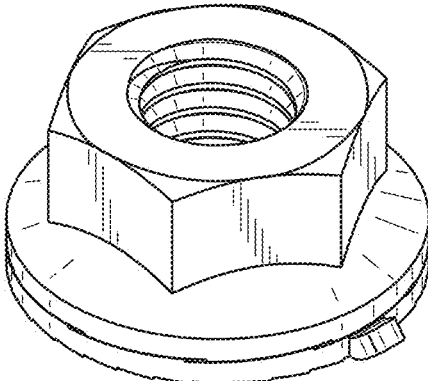


FIG. 1

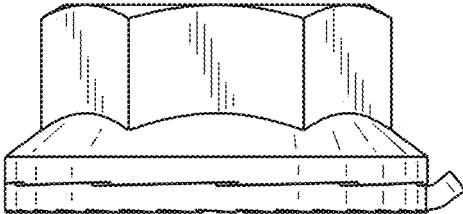


FIG. 2

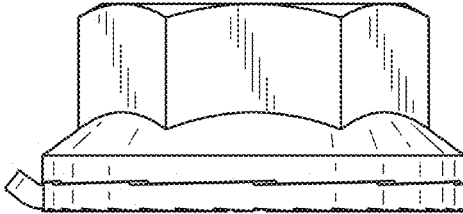


FIG. 3

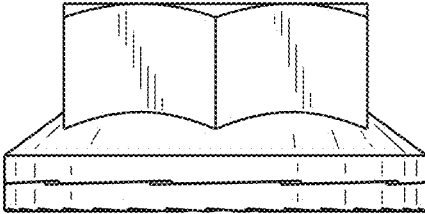


FIG. 4

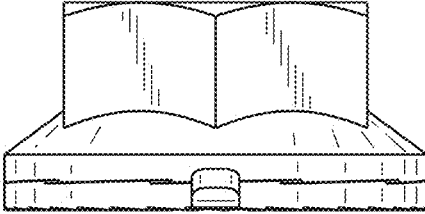


FIG. 5

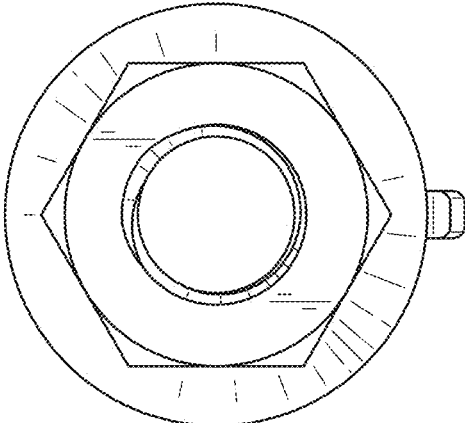


FIG. 6

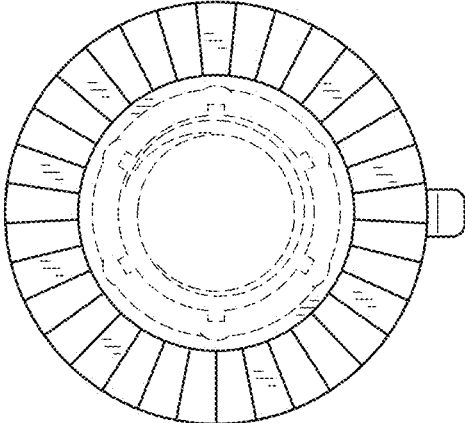


FIG. 7