



US00D344536S

United States Patent [19]

[11] Patent Number: **Des. 344,536**

Lee et al.

[45] Date of Patent: **** Feb. 22, 1994**

[54] **LABEL PRINTER**

[75] Inventors: **David Lee, Glendale; John von Buelow, Northridge, both of Calif.**

[73] Assignee: **Seiko Instruments U.S.A., Inc., Torrance, Calif.**

[**] Term: **14 Years**

[21] Appl. No.: **851,747**

[22] Filed: **Mar. 16, 1992**

[52] U.S. Cl. **D18/19; D18/6**

[58] Field of Search **400/690-694, 400/613, 613.1-613.4, 691.1-691.4; D18/6, 11, 34, 50, 52-55, 19**

[56] **References Cited**

U.S. PATENT DOCUMENTS

D. 263,397	3/1982	Vierling et al.	D18/54
D. 264,971	6/1982	Chadima, Jr.	D18/54
D. 264,978	6/1982	Ohno	D18/6
D. 290,258	6/1987	Weisz et al.	D18/54

D. 292,709	11/1987	Kosako	D18/54
D. 303,984	10/1989	Tsukada	D18/55
D. 303,987	10/1989	Kato et al.	D18/55
D. 334,208	3/1993	Barbookles, Jr. et al.	D18/50
4,623,418	11/1986	Gombrich et al.	D18/50
4,746,932	5/1988	Sato	D18/54

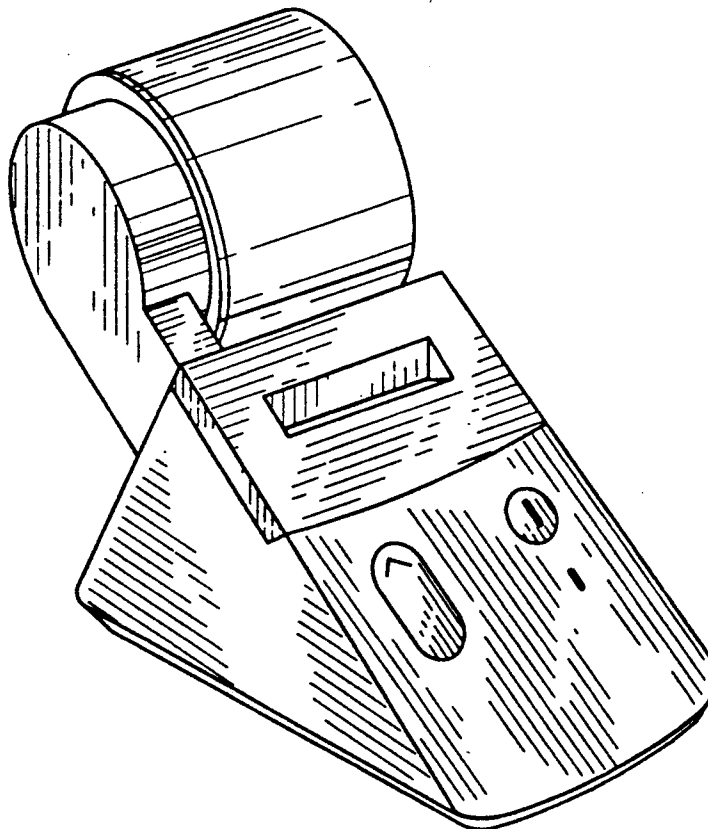
Primary Examiner—A. Hugo Word
Assistant Examiner—Cathy Anne MacCormac
Attorney, Agent, or Firm—Spensley Horn Jubas & Lubitz

[57] **CLAIM**

The ornamental design for a label printer, as shown.

DESCRIPTION

FIG. 1 is a top perspective view of the label printer of the present invention;
FIG. 2 is a right side elevational view thereof;
FIG. 3 is a front elevational view thereof;
FIG. 4 is a back elevational view thereof;
FIG. 5 is a left side elevational view thereof;
FIG. 6 is a bottom plan view thereof; and,
FIG. 7 is a top plan view thereof.



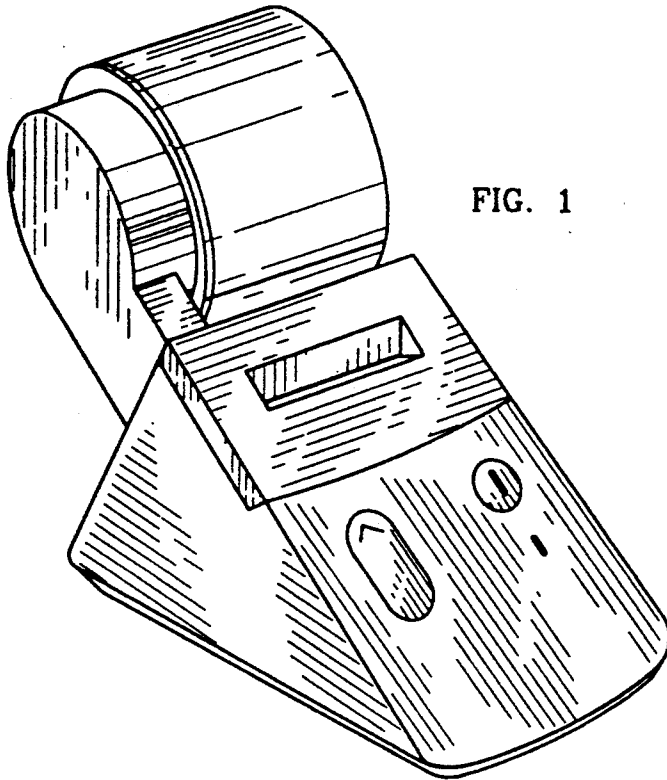


FIG. 1

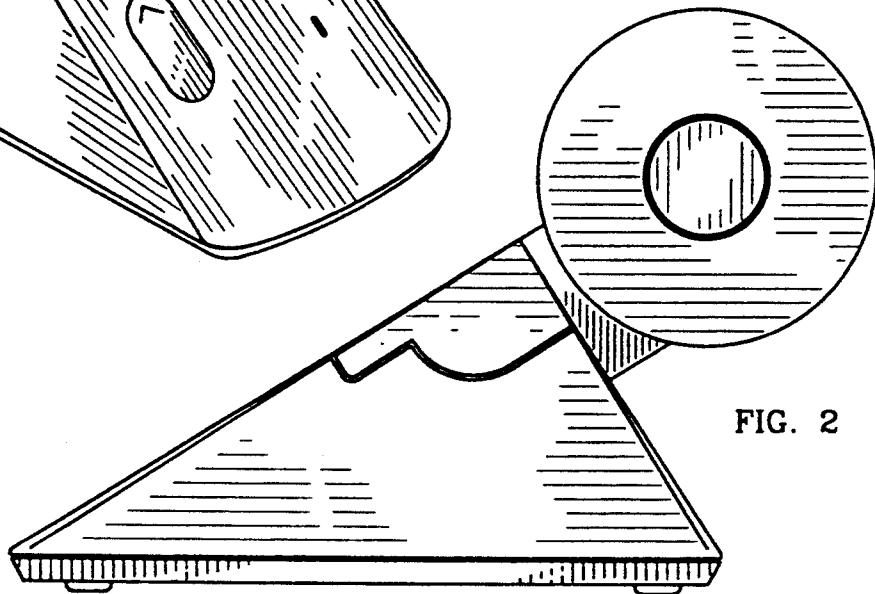


FIG. 2

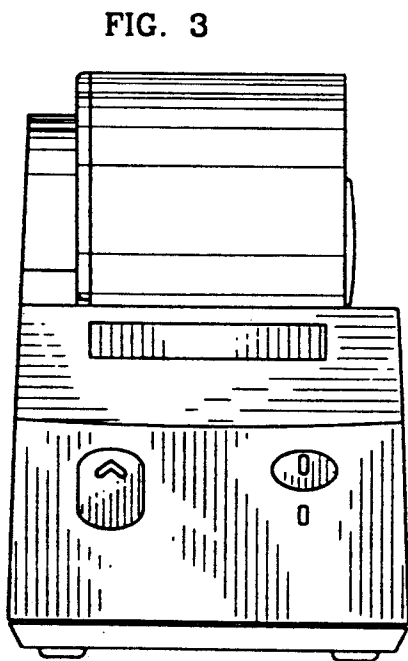


FIG. 3

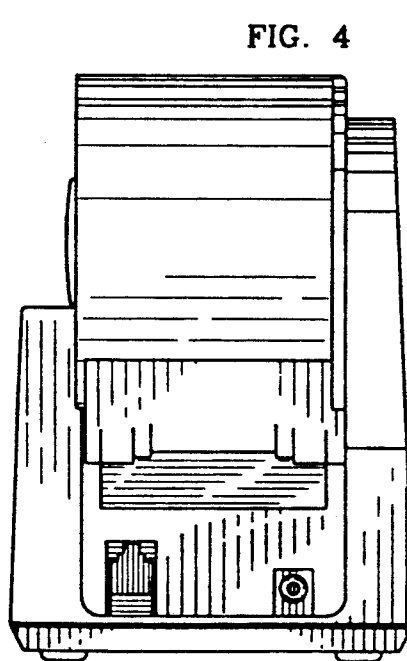


FIG. 4

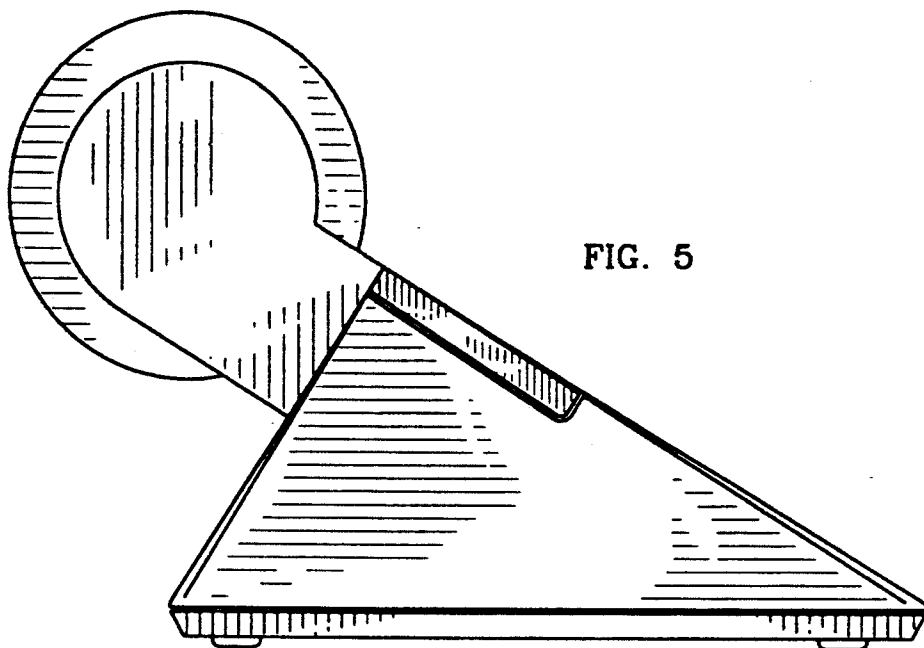


FIG. 5

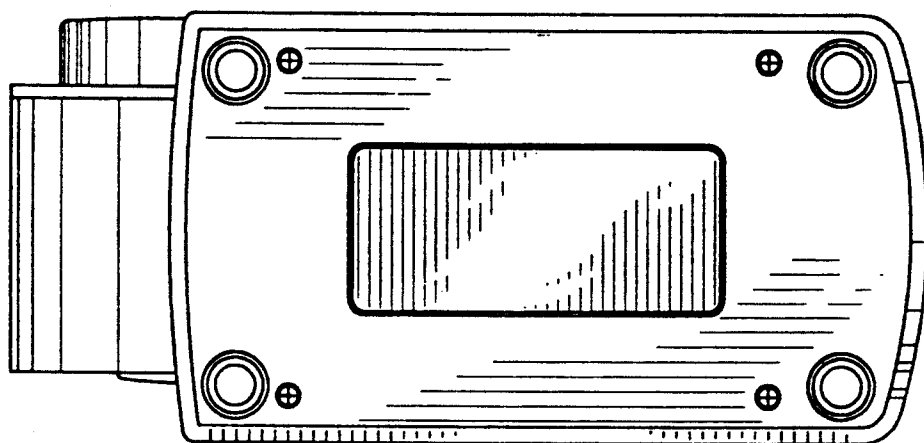


FIG. 6

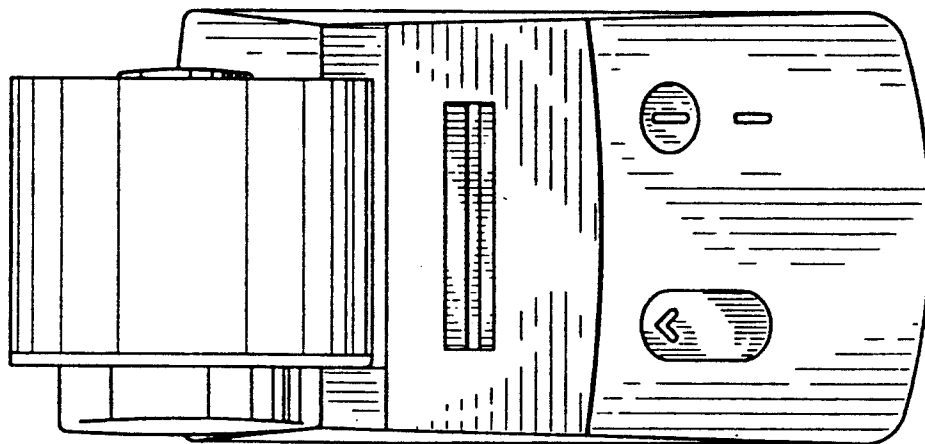


FIG. 7