



- (51) International Patent Classification:
B60J 3/02 (2006.01) **B29C 43/18** (2006.01)
B60J 5/04 (2006.01)
- (21) International Application Number:
PCT/US2012/042623
- (22) International Filing Date:
15 June 2012 (15.06.2012)
- (25) Filing Language: English
- (26) Publication Language: English
- (30) Priority Data:
13/162,598 17 June 2011 (17.06.2011) US
- (71) Applicant (for all designated States except US): **HONDA MOTOR CO., LTD** [JP/JP]; No. 1-1, Minami-aoyama 2-chome, Minato-ku, Tokyo (JP).
- (72) Inventors; and
- (75) Inventors/Applicants (for US only): **LARCOM, Ryan, V.** [US/US]; C/o Honda Patents & Technologies North America LLC, 21001 State Route 739, Raymond, OH 43067 (US). **LARGE, Brian, D.** [US/US]; C/o Honda Patents & Technologies North America LLC, 21001 State Route 739,

Raymond, OH 43067 (US). **CANEPA, Rachel, E.** [US/US]; C/o Honda Patents & Technologies North America LLC, 21001 State Route 739, Raymond, OH 43067 (US). **YAMASE, Shinichi** [JP/US]; C/o Honda Patents & Technologies North America LLC, 21001 State Route 739, Raymond, OH 43067 (US).

(74) Agent: **MCCOLLISTER, Scott, A.**; Fay Sharpe LLP, The Halle Building, 5th Floor, 1228 Euclid Avenue, Cleveland, OH 44115-1843 (US).

(81) Designated States (unless otherwise indicated, for every kind of national protection available): AE, AG, AL, AM, AO, AT, AU, AZ, BA, BB, BG, BH, BR, BW, BY, BZ, CA, CH, CL, CN, CO, CR, CU, CZ, DE, DK, DM, DO, DZ, EC, EE, EG, ES, FI, GB, GD, GE, GH, GM, GT, HN, HR, HU, ID, IL, IN, IS, JP, KE, KG, KM, KN, KP, KR, KZ, LA, LC, LK, LR, LS, LT, LU, LY, MA, MD, ME, MG, MK, MN, MW, MX, MY, MZ, NA, NG, NI, NO, NZ, OM, PE, PG, PH, PL, PT, QA, RO, RS, RU, RW, SC, SD, SE, SG, SK, SL, SM, ST, SV, SY, TH, TJ, TM, TN, TR, TT, TZ, UA, UG, US, UZ, VC, VN, ZA, ZM, ZW.

(84) Designated States (unless otherwise indicated, for every kind of regional protection available): ARIPO (BW, GH,

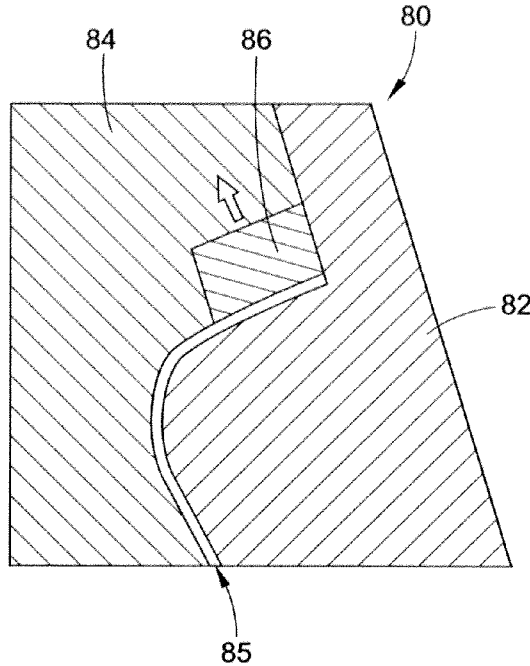
[Continued on next page]

(54) Title: INTEGRATED SUNSHADE DESIGN



WO 2012/174352 A3

FIG. 6



(57) Abstract: A trim panel for a door of a vehicle that wherein both sunshade and non- sunshade versions of the trim panel are manufactured on the same equipment, thus eliminating the need to prepare separate molds for each trim panel. Both the sunshade and non-sunshade versions of the trim panel share essentially the same components and dimension except that the sunshade trim panel has an upper surface that terminates prior to a corresponding surface of the non-sunshade trim panel. This feature allows both trim panels to be made on the same equipment and then installed as needed depending on whether a given door will include a sunshade assembly.

GM, KE, LR, LS, MW, MZ, NA, RW, SD, SL, SZ, TZ, UG, ZM, ZW), Eurasian (AM, AZ, BY, KG, KZ, RU, TJ, TM), European (AL, AT, BE, BG, CH, CY, CZ, DE, DK, EE, ES, FI, FR, GB, GR, HR, HU, IE, IS, IT, LT, LU, LV, MC, MK, MT, NL, NO, PL, PT, RO, RS, SE, SI, SK, SM, TR), OAPI (BF, BJ, CF, CG, CI, CM, GA, GN, GQ, GW, ML, MR, NE, SN, TD, TG).

Published:

— *with international search report (Art. 21(3))*

(88) Date of publication of the international search report:
18 April 2013

A. CLASSIFICATION OF SUBJECT MATTER***B60J 3/02(2006.01)i, B60J 5/04(2006.01)i, B29C 43/18(2006.01)i***

According to International Patent Classification (IPC) or to both national classification and IPC

B. FIELDS SEARCHED

Minimum documentation searched (classification system followed by classification symbols)

B60J 3/02; B60J 1/20; B29C 43/18; B29C 45/16

Documentation searched other than minimum documentation to the extent that such documents are included in the fields searched

Korean utility models and applications for utility models

Japanese utility models and applications for utility models

Electronic data base consulted during the international search (name of data base and, where practicable, search terms used)

eKOMPASS(KIPO internal) & keywords:sunshade, trim panel, hydraulic slide, mold

C. DOCUMENTS CONSIDERED TO BE RELEVANT

Category*	Citation of document, with indication, where appropriate, of the relevant passages	Relevant to claim No.
A	US 6,508,967 B2 (VISCONTI et al.) 21 January 2003 See column 3, lines 21-55; figures 4,5.	1-16
A	EP 0985567 B1 ((WAGON AUTOMOTIVE SNC.) 25 February 2004 See claim 1 and figure 1.	1-16
A	US 2004-0017023 A1 (SCHOEMANN et al.) 29 January 2004 See paragraphs [0031] - [0034]; figures 2,4,5.	1-16
A	WO 2005-021231 A2 (JOHNSON CONTROLS TECHNOLOGY COMPANY) 10 March 2005 See paragraphs [0049] - [0051]; figures 3-6.	1-16

 Further documents are listed in the continuation of Box C. See patent family annex.

* Special categories of cited documents:

"A" document defining the general state of the art which is not considered to be of particular relevance

"E" earlier application or patent but published on or after the international filing date

"L" document which may throw doubts on priority claim(s) or which is cited to establish the publication date of citation or other special reason (as specified)

"O" document referring to an oral disclosure, use, exhibition or other means

"P" document published prior to the international filing date but later than the priority date claimed

"T" later document published after the international filing date or priority date and not in conflict with the application but cited to understand the principle or theory underlying the invention

"X" document of particular relevance; the claimed invention cannot be considered novel or cannot be considered to involve an inventive step when the document is taken alone

"Y" document of particular relevance; the claimed invention cannot be considered to involve an inventive step when the document is combined with one or more other such documents, such combination being obvious to a person skilled in the art

"&" document member of the same patent family

Date of the actual completion of the international search

31 JANUARY 2013 (31.01.2013)

Date of mailing of the international search report

01 FEBRUARY 2013 (01.02.2013)

Name and mailing address of the ISA/KR



Facsimile No. 82-42-472-7140

Authorized officer

HAN Joong Sub

Telephone No. 82-42-481-5606



INTERNATIONAL SEARCH REPORT

Information on patent family members

International application No.

PCT/US2012/042623

Patent document cited in search report	Publication date	Patent family member(s)	Publication date
US 6508967 B2	21.01.2003	US 2002-066973 A1	06.06.2002
EP 0985567 B1	25.02.2004	DE 69914988 D1	01.04.2004
		DE 69914988 T2	16.12.2004
		EP 0985567 A1	15.03.2000
		FR 2782955 A1	10.03.2000
		FR 2782955 B1	26.01.2001
US 2004-0017023 A1	29.01.2004	DE 10334528 A1	12.02.2004
		US 2004-0070110 A1	15.04.2004
		US 7060215 B2	13.06.2006
		US 7108822 B2	19.09.2006
WO 2005-021231 A2	10.03.2005	CN 100513123 C	15.07.2009
		CN 1871108 A	29.11.2006
		CN 1871108 C0	29.11.2006
		EP 1682323 A2	26.07.2006
		KR 10-0807462 B1	25.02.2008
		KR 2006-0084429 A	24.07.2006
		US 2006-0226574 A1	12.10.2006
		WO 2005-021231 A3	28.07.2005