



US00D614791S

(12) **United States Design Patent**
Nibaldi

(10) **Patent No.:** **US D614,791 S**

(45) **Date of Patent:** **** Apr. 27, 2010**

- (54) **LAMP FOR ROAD LIGHTING**
- (75) Inventor: **Franco Nibaldi**, Recanati (IT)
- (73) Assignee: **ENEL SOLE S.r.l.**, Rome (IT)
- (**) Term: **14 Years**
- (21) Appl. No.: **29/315,382**
- (22) Filed: **Jun. 19, 2009**

(30) **Foreign Application Priority Data**
 Jan. 12, 2009 (EP) 001068902-0001

- (51) **LOC (9) Cl.** **26-05**
- (52) **U.S. Cl.** **D26/71**
- (58) **Field of Classification Search** 362/152-153.1,
 362/235, 249.02, 249.03, 249.14, 294, 373,
 362/432, 183; D26/63, 67-72, 84, 85, 92
 See application file for complete search history.

(56) **References Cited**

U.S. PATENT DOCUMENTS

4,460,945	A *	7/1984	Chan et al.	362/294
D573,741	S *	7/2008	Lou	D26/71
7,420,811	B2 *	9/2008	Chan	361/709
7,544,411	B2	6/2009	Baumann et al.		
D600,846	S *	9/2009	Hsu et al.	D26/71
2003/0026102	A1 *	2/2003	Galia	362/431
2004/0196653	A1 *	10/2004	Clark et al.	362/183
2007/0141305	A1	6/2007	Kasai et al.		
2009/0103300	A1 *	4/2009	Chang	362/249.02
2009/0222070	A1 *	9/2009	Daffer	607/91
2009/0268477	A1 *	10/2009	Zheng et al.	362/373
2009/0296393	A1 *	12/2009	Wung et al.	362/249.02

FOREIGN PATENT DOCUMENTS

DE	101 06 213	8/2002
DE	20 2006 010949	9/2006

EP	1479738	11/2004
EP	1 895 232	3/2008
EP	1 956 290	8/2008
FR	2 913 484	9/2008

OTHER PUBLICATIONS

G. Gu, et al.: "Fabrication and characterization of transparent superhydrophobic thin films based on silica nanoparticles" *Applied Physics A: Materials Science & Processing*, Springer, Berlin, DE, vol. 83, No. 1, Apr. 1, 2006, pp. 131-132, XP019337220.
 International Search Report completed Jan. 7, 2009 by the European Patent Office in related European utility application No. EP 08 42 5399.6.
 International Search Report completed Feb. 16, 2009 by the European Patent Office in related European utility application No. EP 08 42 5645.2-2423.

* cited by examiner

Primary Examiner—Clare E Hefflin

(74) *Attorney, Agent, or Firm*—Abelman, Frayne & Schwab

(57) **CLAIM**

The ornamental design for a lamp for road lighting, as shown and described.

DESCRIPTION

FIG. 1 is a top, front and left side perspective view of the lamp for road lighting showing my new design;
 FIG. 2 is a right side elevational view thereof;
 FIG. 3 is a left side elevational view thereof;
 FIG. 4 is a front elevational view thereof;
 FIG. 5 is a rear elevational view thereof;
 FIG. 6 is a bottom plan view thereof; and,
 FIG. 7 is a top plan view thereof.

The broken lines shown on the drawings represent environment only and form no part of the claimed design.

1 Claim, 7 Drawing Sheets

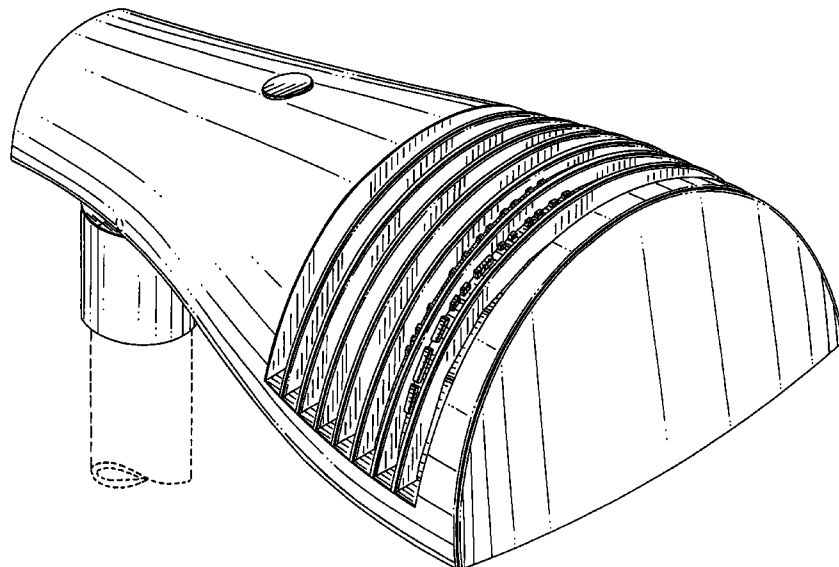
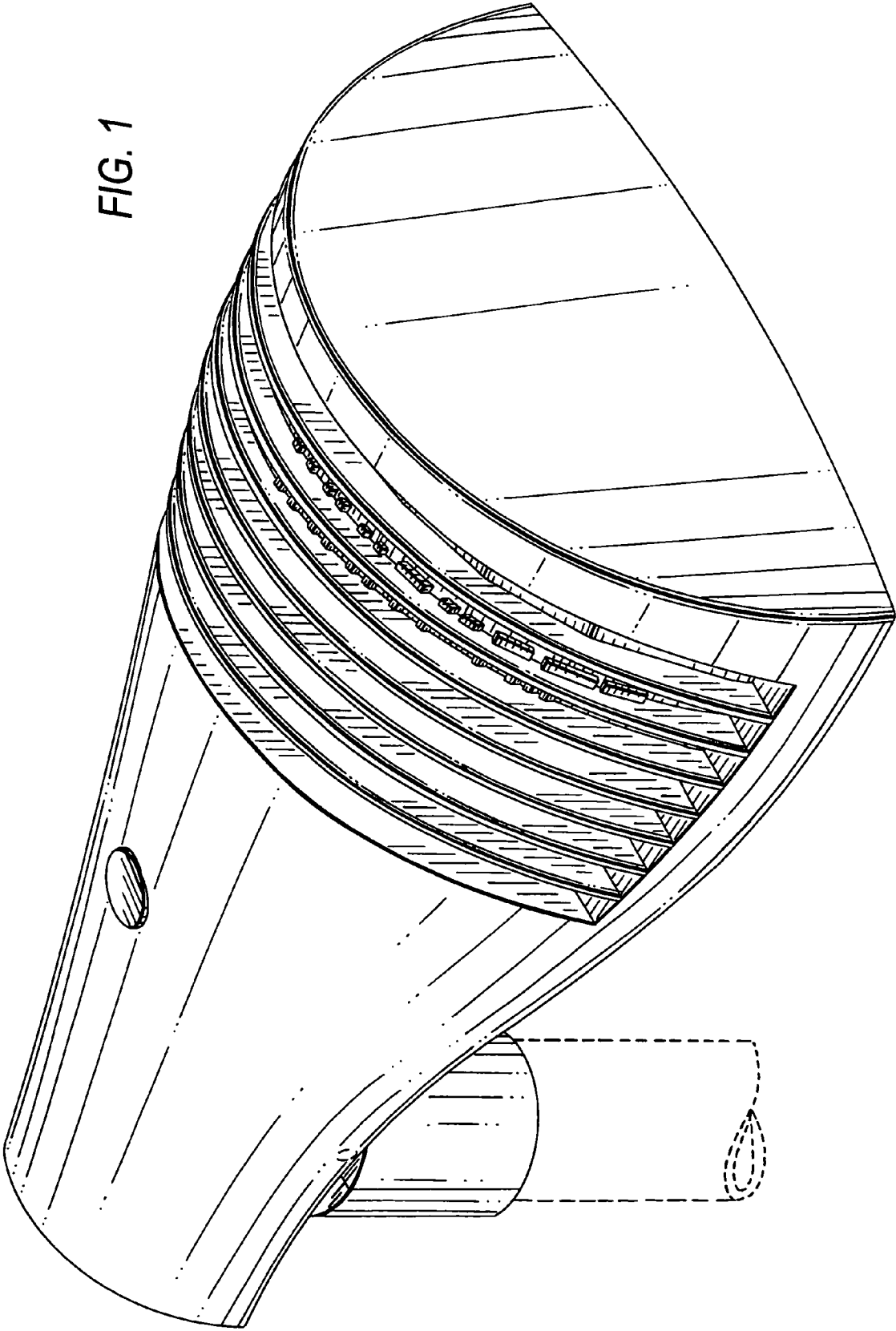


FIG. 1



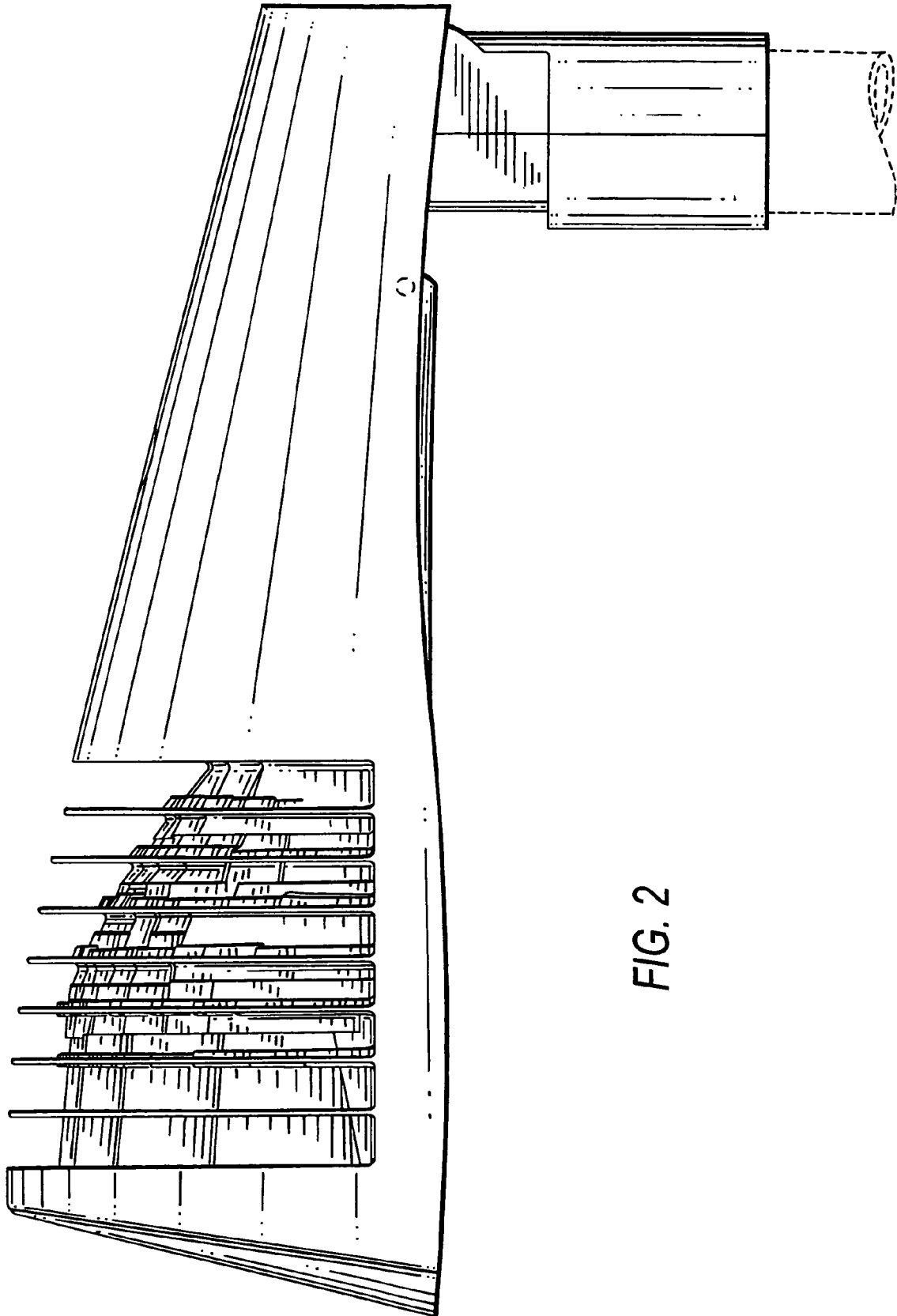


FIG. 2

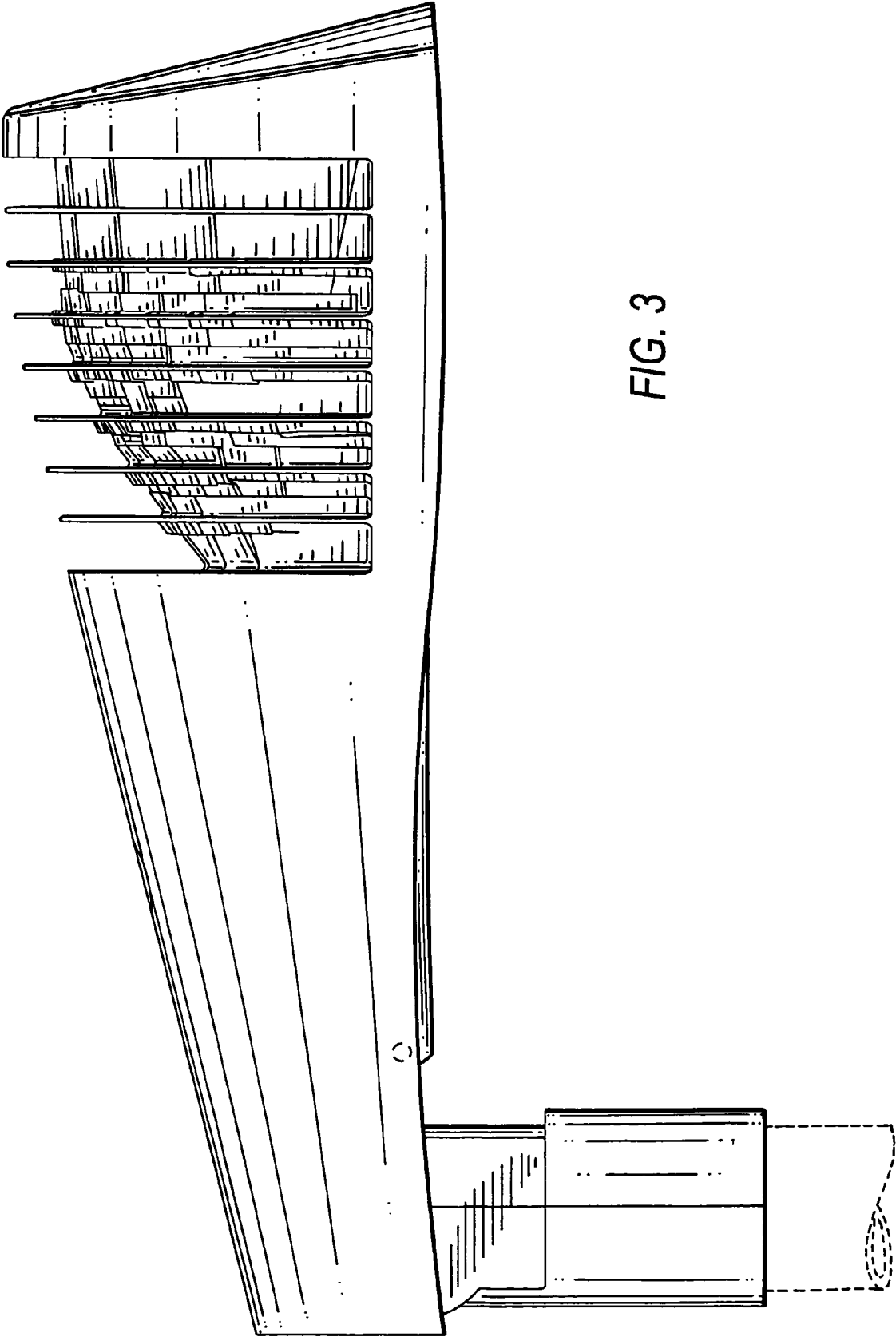


FIG. 3

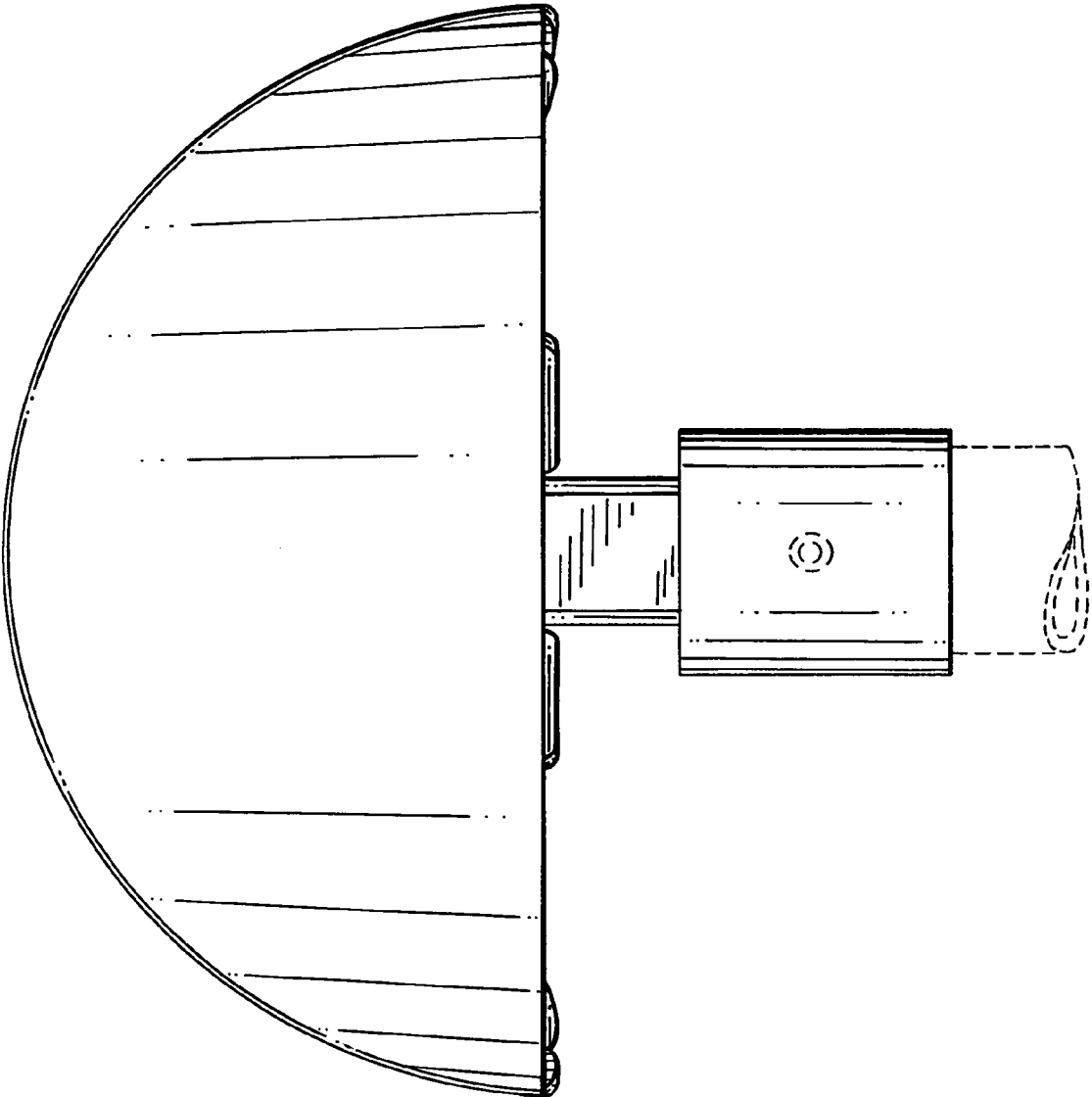
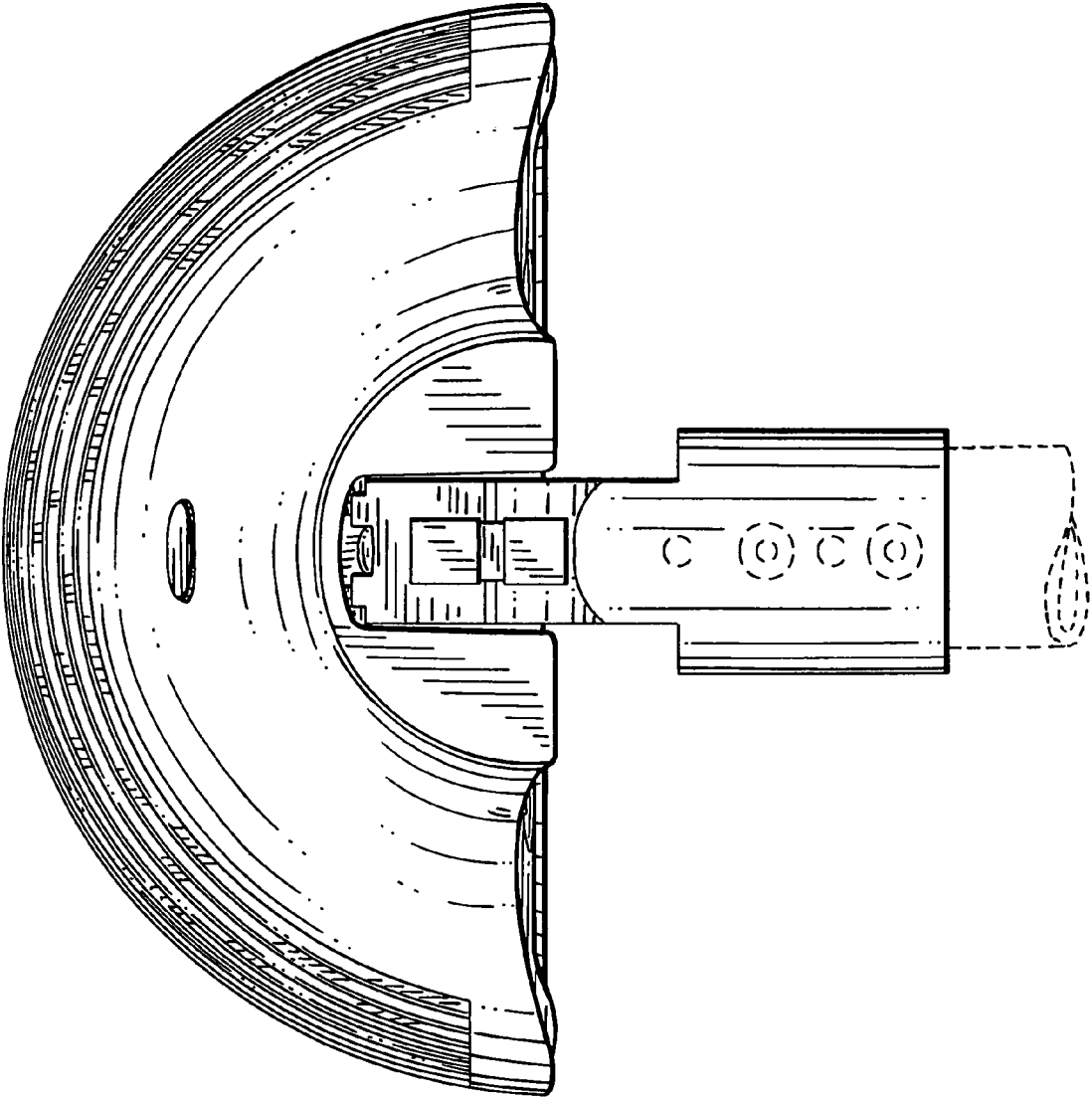


FIG. 4

FIG. 5



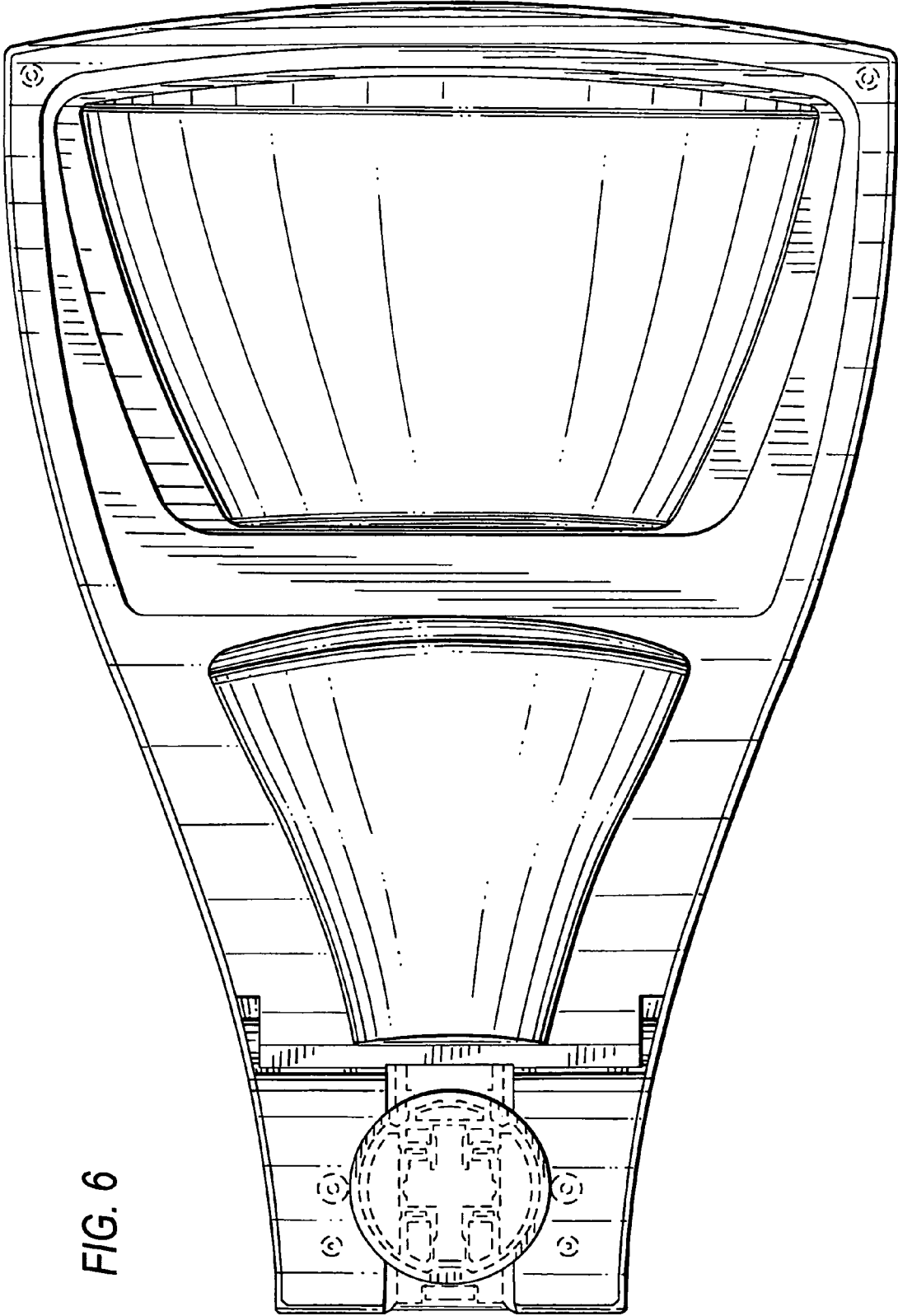


FIG. 6

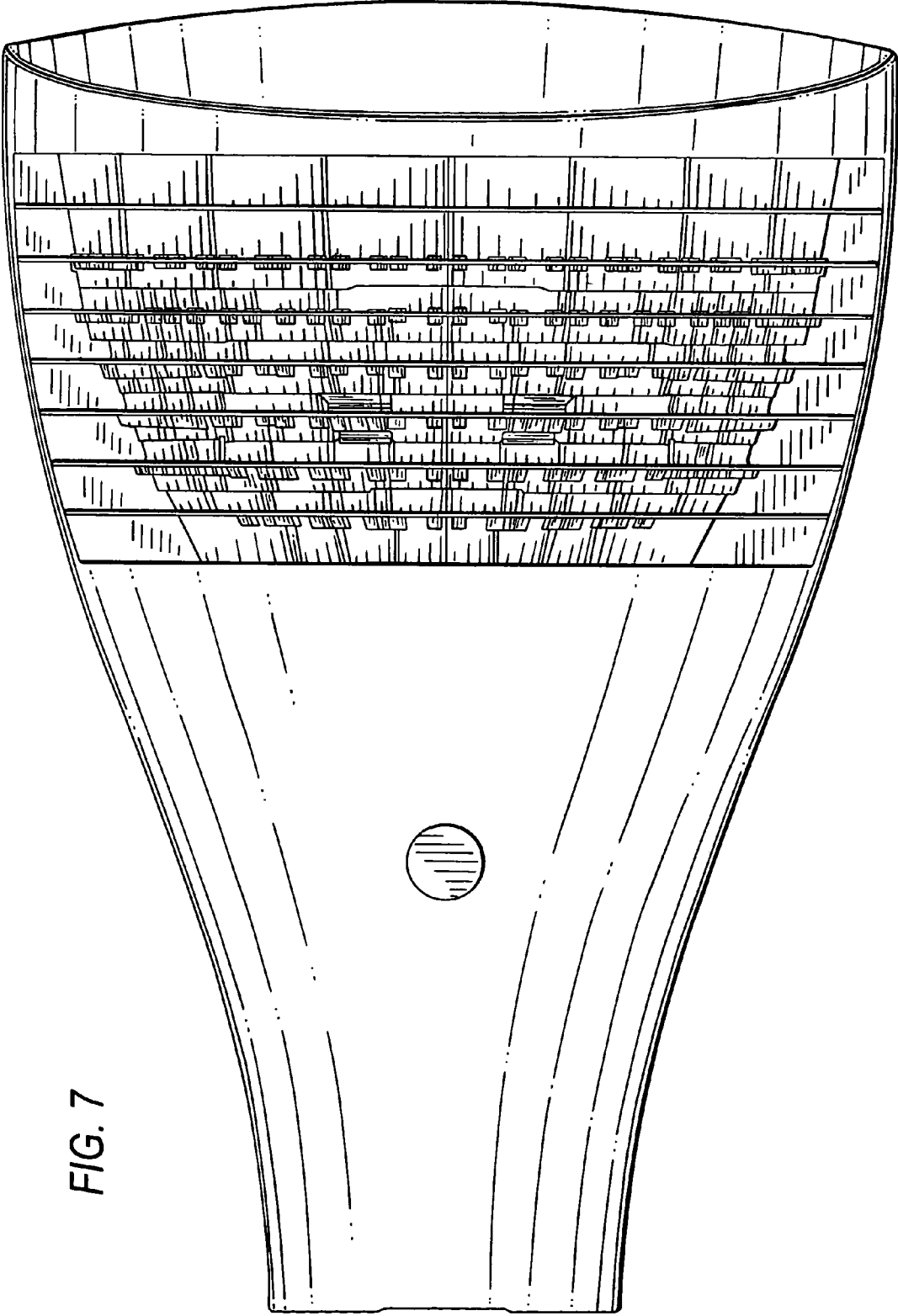


FIG. 7