



US00D445193S

(12) **United States Design Patent** (10) **Patent No.:** **US D445,193 S**
Manganiello et al. (45) **Date of Patent:** **** Jul. 17, 2001**

(54) **VENT DISK** 4,010,861 3/1977 Welten 215/11 B
4,215,785 8/1980 Schwaiger 215/11
(75) Inventors: **Francis X. Manganiello**, Pompton 4,311,245 1/1982 Maffei 215/11 B
Plains, NJ (US); **Charles Renz**, 4,401,224 8/1983 Alonso 215/11 B
Briarcliff Manor, NY (US) 4,545,491 10/1985 Bisgaard 215/11 D

(List continued on next page.)

(73) Assignee: **Playtex Products, Inc.**, Westport, CT (US)

FOREIGN PATENT DOCUMENTS

(**) Term: **14 Years**

2219398 4/1998 (CA) .
1058610 3/1954 (FR) .
1432798 4/1976 (GB) .
2238729A 6/1991 (GB) .
2318573A 4/1998 (GB) .
10-127734 5/1998 (JP) .
WO 90/07320 7/1990 (WO) .
WO 92/21312 12/1992 (WO) .
WO 98/18427 5/1998 (WO) .
WO 99/11218 3/1999 (WO) .

(21) Appl. No.: **29/121,308**
(22) Filed: **Apr. 5, 2000**

(51) **LOC (7) Cl.** **24-04**
(52) **U.S. Cl.** **D24/193**
(58) **Field of Search** D24/197, 193;
215/11.1, 11.2, 11.3, 11.4, 11.5, 11.6

* cited by examiner

(56) **References Cited**

U.S. PATENT DOCUMENTS

D. 338,531 * 8/1993 Howell D24/193
357,439 2/1887 Wheelock .
577,199 2/1897 Neidlinger .
921,387 5/1909 Etter .
1,972,895 9/1934 Maccoy 215/11
2,043,186 * 6/1936 O'Dette 215/11.5
2,060,212 11/1936 Herstein 128/252
2,084,099 6/1937 Maccoy 215/11
2,365,947 12/1944 Ganson 215/11
2,394,722 * 2/1946 Sloane 215/11.5
2,525,745 10/1950 Wycoff 215/11
2,546,681 3/1951 Searer 215/11
2,774,500 12/1956 Budiani 215/11
2,960,088 11/1960 Witz 128/252
2,982,432 5/1961 Mehl 215/11
3,113,687 12/1963 Butts 215/11
3,134,495 5/1964 Carbonel 215/11
3,511,407 5/1970 Palma 220/44
3,718,140 2/1973 Yamauchi 128/252
3,768,682 10/1973 Myers et al. 215/11 B
3,883,025 5/1975 Jemmett 215/341

Primary Examiner—Stella Reid
(74) *Attorney, Agent, or Firm*—Ohlandt, Greeley, Ruggiero, & Perle, LLP

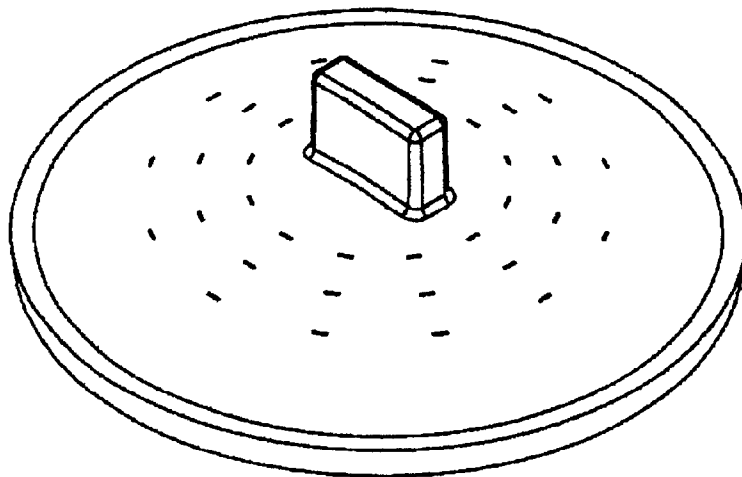
(57) **CLAIM**

The ornamental design for the vent disk, as shown and described in the accompanying figures.

DESCRIPTION

FIG. 1 is a top perspective view of a vent disk showing our design;
FIG. 2 is a bottom perspective view of the vent disk of FIG. 1;
FIG. 3 is a front view of the vent disk of FIG. 1, the rear view being identical to the front view thereof;
FIG. 4 is a right side view of the vent disk of FIG. 1, the left side view being identical to the right side view thereof;
FIG. 5 is a top view of the vent disk of FIG. 1; and,
FIG. 6 is a bottom view of the vent disk of FIG. 1.

1 Claim, 3 Drawing Sheets



U.S. PATENT DOCUMENTS

4,685,577	8/1987	Chen	215/11 D	5,215,312	6/1993	Knappe et al.	277/1
4,723,668	2/1988	Cheng	215/11.5	5,339,971	8/1994	Rohrig	215/11.5
4,818,114	4/1989	Ghavi	366/130	5,431,290	7/1995	Vinciguerra	215/11.5
4,865,207	9/1989	Joyner et al.	215/11.5	5,433,353	7/1995	Flinn	222/481
4,928,836	5/1990	Wu et al.	215/11.5	5,499,729	3/1996	Greenwood	215/11.5
4,940,151	7/1990	Fett	215/11.1	5,601,199	2/1997	Marty	215/11.5
4,993,568	2/1991	Morifuji et al.	215/11.1	5,607,074	3/1997	De Gennaro	215/11.5
5,071,017	12/1991	Stull	215/260	5,791,503 *	8/1998	Lyons	215/11.5
5,078,287	1/1992	Holmes, III	215/11.5	5,799,808 *	9/1998	Oh	215/11.1
5,101,991	4/1992	Morifuji et al.	215/11.1	6,053,342	4/2000	Chomik	215/11.5
				6,138,710	10/2000	Chomik et al.	137/512.15

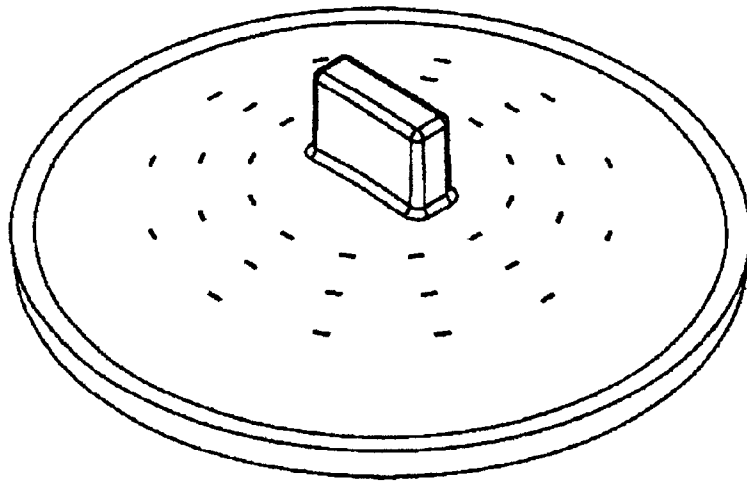


FIG. 1

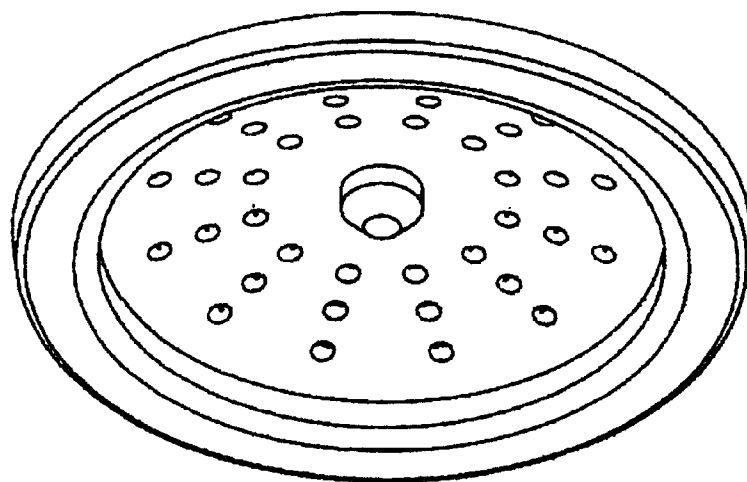


FIG. 2

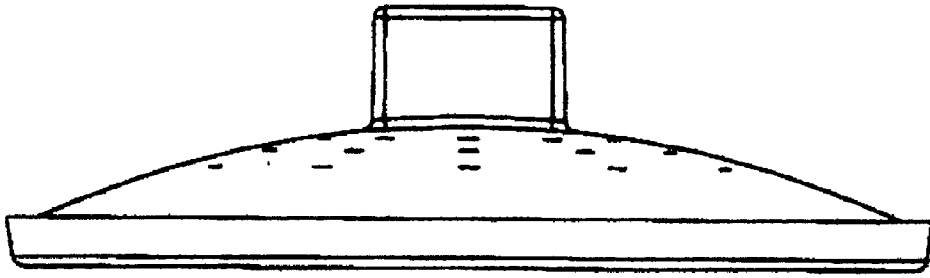


FIG. 3

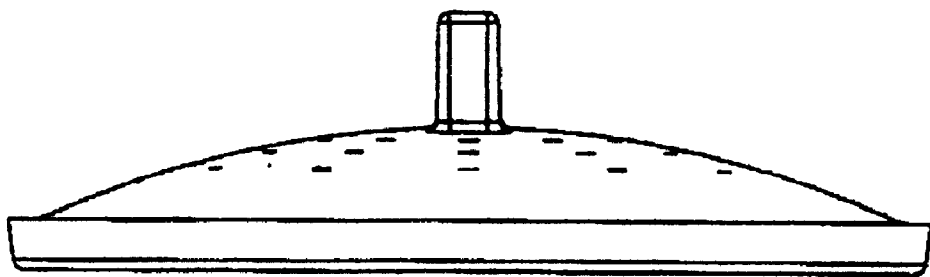


FIG. 4

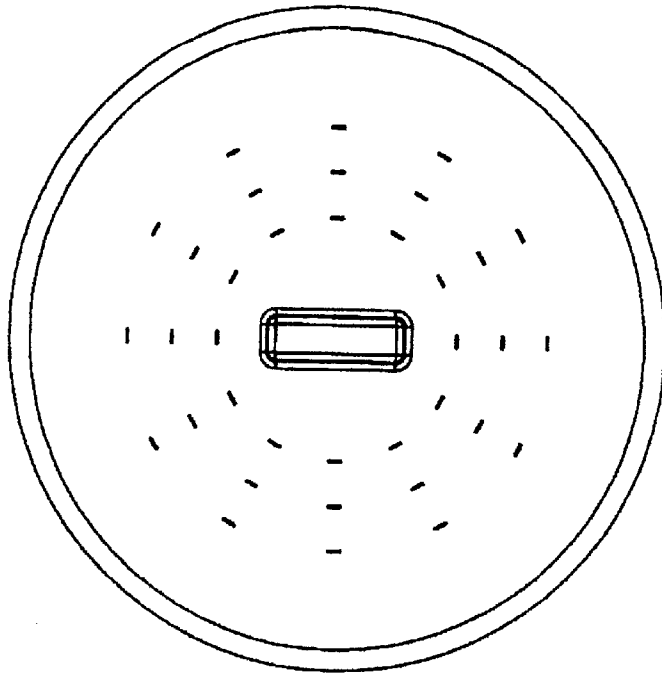


FIG. 5

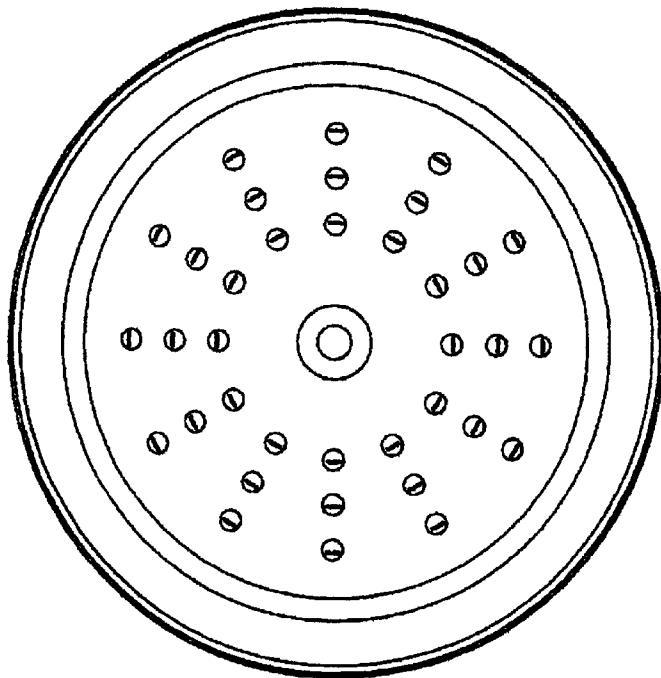


FIG. 6