



US00D828915S

(12) **United States Design Patent**
Haggar

(10) **Patent No.:** **US D828,915 S**

(45) **Date of Patent:** **** Sep. 18, 2018**

(54) **CEILING FAN BLADE**

(71) Applicant: **HUNTER FAN COMPANY,**
Memphis, TN (US)

(72) Inventor: **Alexander Jonathan Haggar,**
Memphis, TN (US)

(73) Assignee: **Hunter Fan Company,** Memphis, TN
(US)

(**) Term: **15 Years**

(21) Appl. No.: **29/611,272**

(22) Filed: **Jul. 20, 2017**

Related U.S. Application Data

(62) Division of application No. 29/579,321, filed on Sep. 29, 2016, now Pat. No. Des. 800,292.

(51) **LOC (11) Cl.** **23-04**

(52) **U.S. Cl.**
USPC **D23/413**

(58) **Field of Classification Search**
USPC D23/370, 377, 379, 381, 382, 385, 411,
D23/413, 414, 332, 328; D26/59
CPC F04D 25/08; F04D 29/388; F04D 29/34;
F04D 25/088; H02K 1/187
See application file for complete search history.

(56) **References Cited**

U.S. PATENT DOCUMENTS

1,777,013	A	9/1928	Ness	
D475,775	S	6/2003	Da Costa	
D515,196	S	2/2006	Indio da Costa	
D536,083	S	1/2007	Gajewski	
7,481,626	B2	1/2009	Gajewski	
D670,802	S *	11/2012	Wang	D23/413
D678,997	S	3/2013	Gajewski	
D680,210	S	4/2013	Chan	

D715,421	S *	10/2014	Schulzman	D23/413
D721,429	S	1/2015	Busta	
D721,800	S *	1/2015	Busta	D23/413
D732,657	S *	6/2015	Peterson	D23/413
D741,468	S	10/2015	Ertze	
D741,470	S *	10/2015	Ertze	D23/413
D742,500	S *	11/2015	Pan	D23/413
D744,079	S	11/2015	Wang	
D745,657	S	12/2015	Wang	
D750,213	S	2/2016	Schulzman	
D755,948	S *	5/2016	Ertze	D23/413
D772,393	S	11/2016	Wang	

(Continued)

OTHER PUBLICATIONS

<http://www.montecarlofans.com/50212/56-Avvo-Koa-3AVOR56KOAD.html>, Item Specification for the Avvo Collection, accessed Sep. 29, 2016.

(Continued)

Primary Examiner — Janice Hallmark

(74) *Attorney, Agent, or Firm* — McGarry Bair PC

(57)

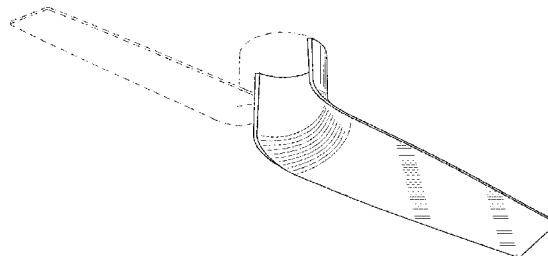
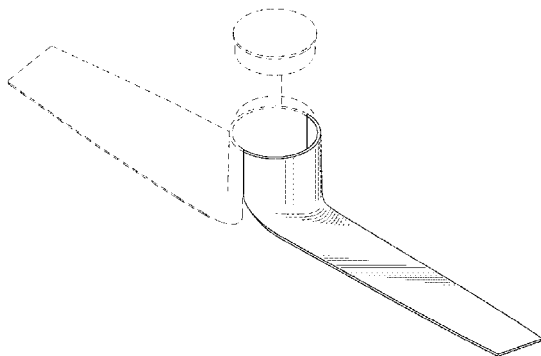
CLAIM

The ornamental design for a ceiling fan blade, as shown and described.

DESCRIPTION

FIG. 1 is a top perspective view of a ceiling fan blade, showing my new design;
FIG. 2 is a bottom perspective view thereof;
FIG. 3 is a top view thereof;
FIG. 4 is a bottom view thereof;
FIG. 5 is a right side view thereof;
FIG. 6 is a left side view thereof;
FIG. 7 is a front view thereof; and,
FIG. 8 is a rear view thereof.
The broken lines in the drawings depict environmental subject matter only and form no part of the claimed design.

1 Claim, 4 Drawing Sheets



(56)

References Cited

U.S. PATENT DOCUMENTS

D774,175	S	12/2016	Wang	
D776,251	S *	1/2017	Pickett	D23/413
D780,902	S	3/2017	Gajewski	
D791,928	S *	7/2017	Yang	D23/377
D798,433	S *	9/2017	Badarello	D23/413
D800,292	S *	10/2017	Haggar	D23/377
D806,227	S *	12/2017	Ruan	D23/413
D806,856	S *	1/2018	Schulzman	D23/413
D810,271	S *	2/2018	Holmes	D23/413
D810,923	S *	2/2018	Jones	D23/413
2012/0177496	A1	6/2012	Gajewski	

OTHER PUBLICATIONS

http://www.minkagroup.net/all-collections?field_family_tid_selective%5B%5D=926&field_specs_energy_star_value=All&keys=, Item Specification for Minka Wing, accessed Sep. 29, 2016.

<http://www.matthewsfanco.com/index.php?page=c-iv>, Item Specification for C-IV, accessed Sep. 29, 2016.

<http://www.savoyhouse.com/Ariel-68-2-Blade-Ceiling-Fan.html>, Item Specification for Ariel 68" 2 Blade Ceiling Fan, accessed Sep. 29, 2016.

<http://www.kichler.com/products/product/52-inch-link-fan-pn-300168pn.aspx>, Item Specification for Link Collection 52 Inch Link Fan PN, accessed Sep. 29, 2016.

<http://www.kichler.com/products/product/60-inch-ferron-celing-fan-pn-300160pn.aspx>, Item Specification for Ferron Collection 60 Inch Ferron Ceiling Fan PN, accessed Sep. 29, 2016.

<http://www.delmarfans.com/quorum-ceiling-fans/muse/21542-14/>, Item Specification for Quorum 21542-14, Muse chrome 54" Ceiling Fan with Light & Wall Control, accessed Sep. 29, 2016.

<http://www.craftmade.com/Craftmade-VG54TI2-Titanium-Ceiling-Fan.HTM>, Item Specification for VG54TI2—Vogue, accessed Sep. 29, 2016.

<http://www.westinghouselighting.com/ceiling-fans/52-inch-ceiling-fan/aerialist-52-inch-two-blade-indoor-dc-motor-ceiling-fan-7201600.aspx>, Item Specification for Aerialist 52-Inch Two-Blade Indoor DC Motor Ceiling Fan, accessed Sep. 29, 2016.

<http://www.kichler.com/products/product/52-inch-maiden-fan-obb-300149obb.aspx>, Item Specification for 52 Inch Maiden Fan—OBB, accessed Sep. 29, 2016.

<http://www.westinghouselighting.com/ceiling-fans/48-inch-ceiling-fan/solana-48-inch-two-blade-indoor-ceiling-fan-7216100.aspx>, Item Specification for Solana 48-Inch Two-Blade Indoor Ceiling Fan, accessed Sep. 29, 2016.

<http://www.westinghouselighting.com/ceiling-fans/48-inch-ceiling-fan/harmony-48-inch-two-blade-indoor-ceiling-fan-7214100.aspx>, Item Specification for Harmony 48-Inch Two-Blade Indoor Ceiling Fan, accessed Sep. 29, 2016.

<http://www.westinghouselighting.com/ceiling-fans/52-inch-ceiling-fan/sparta-52-inch-two-blade-indoor-ceiling-fan-7852400.aspx>, Item Specification for Sparta 52-Inch Two-Blade Indoor Ceiling Fan, accessed Sep. 29, 2016.

<http://www.lowes.com/pd/Kichler-Lighting-56-in-Satin-Black-with-Antique-Pewter-Accents-Downrod-Mount-Indoor-Ceiling-Fan-with-Remote-2-Blade/999919000>, Item Specification for Kichler Lighting 56-in Satin Black with Antique Pewter Accents Downrod Mount Indoor Ceiling Fan with Remote (2-Blade), accessed Sep. 29, 2016.

<http://www.lowes.com/pd/Harbor-Breeze-Revel-Island-52-in-Brushed-Nickel-Flush-Mount-Indoor-Ceiling-Fan-with-Remote-2-Blade/3880601>, Item Specification for Harbor Breeze Revel Island 52-in Brushed Nickel Flush Mount Indoor Ceiling Fan with Remote (2-Blade), accessed Sep. 29, 2016.

<http://www.lowes.com/pd/Harbor-Breeze-Platinum-Santa-Ana-48-in-Brushed-Nickel-Downrod-Mount-Indoor-Ceiling-Fan-with-Light-Kit-and-Remote-2-Blade/50057291>, Item Specification for Harbor Breeze Platinum Santa Ana 48-in Brushed Nickel Downrod Mount Indoor Ceiling Fan with Light Kit and Remote (2-Blade), accessed Sep. 29, 2016.

* cited by examiner

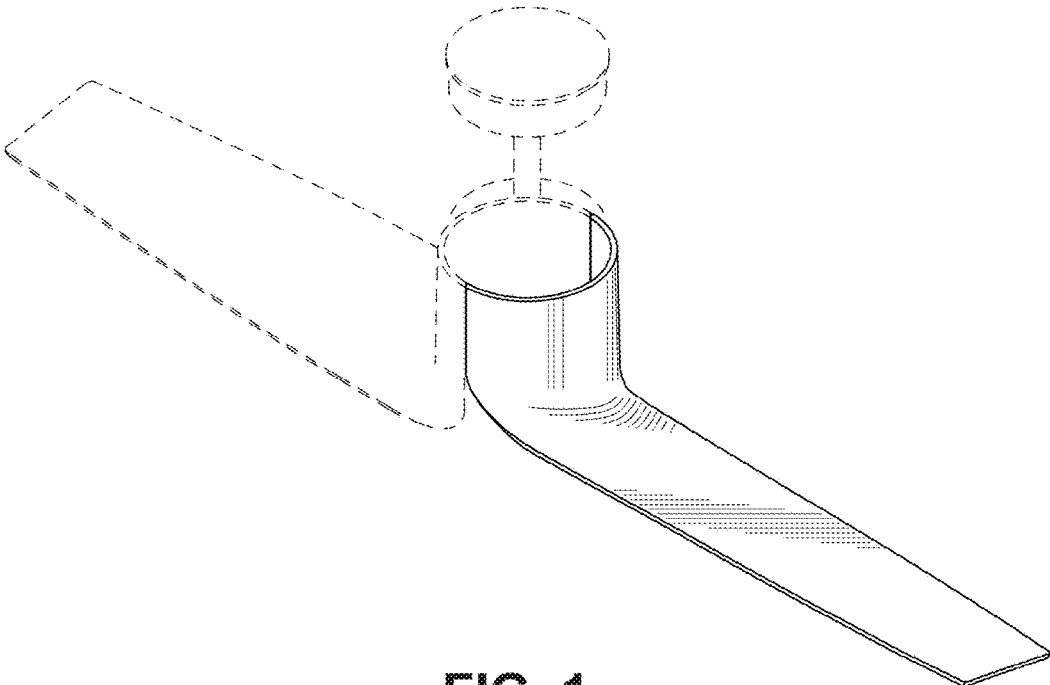


FIG. 1

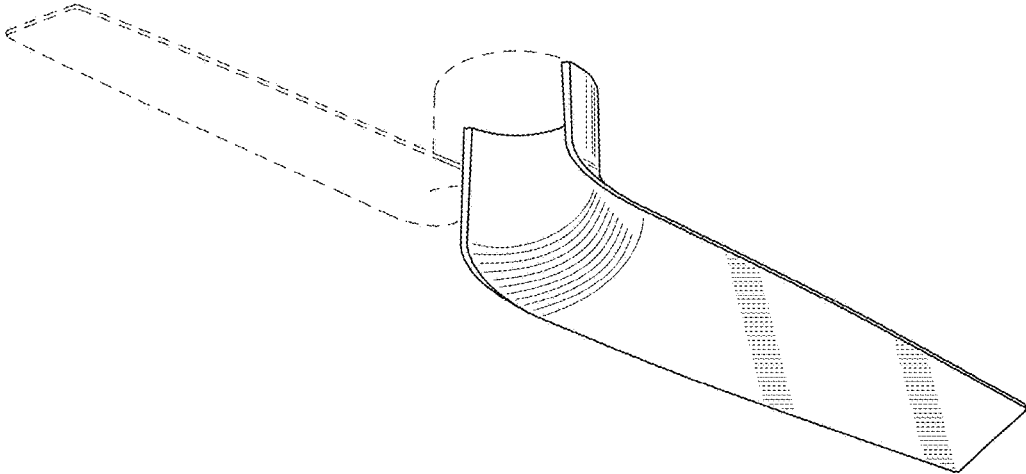


FIG. 2

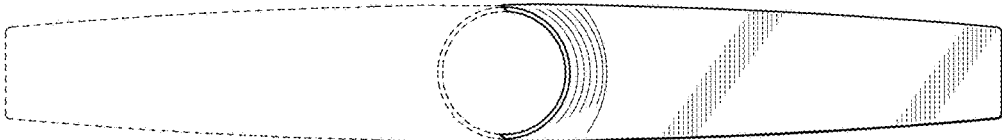


FIG. 3

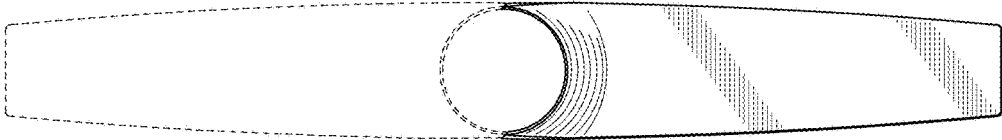


FIG. 4

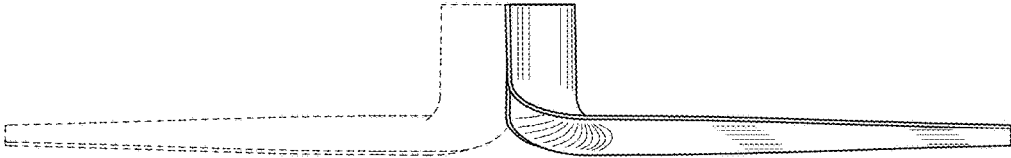


FIG. 5

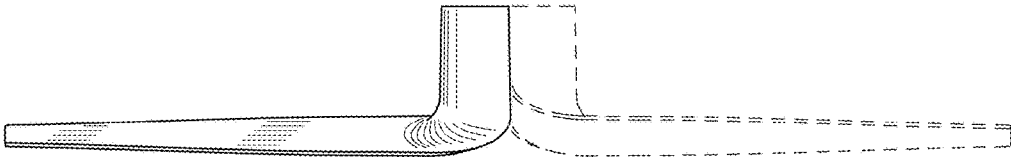


FIG. 6

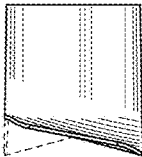


FIG. 7

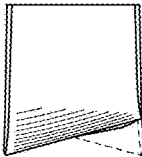


FIG. 8