

(19) World Intellectual Property Organization
International Bureau



(43) International Publication Date
13 March 2003 (13.03.2003)

PCT

(10) International Publication Number
WO 03/021850 A3

(51) International Patent Classification⁷: G06F 15/16

(21) International Application Number: PCT/US02/27895

(22) International Filing Date: 30 August 2002 (30.08.2002)

(25) Filing Language: English

(26) Publication Language: English

(30) Priority Data:
09/945,479 31 August 2001 (31.08.2001) US

(63) Related by continuation (CON) or continuation-in-part (CIP) to earlier application:
US 09/945,479 (CON)
Filed on 31 August 2001 (31.08.2001)

(71) Applicant (for all designated States except US): H INNOVATION, INC. [US/US]; 10437 Innovation Drive, Suite 236, Wauwatosa, WI 53226 (US).

(72) Inventors; and

(75) Inventors/Applicants (for US only): HU, Hui [US/US]; 1030 Ridge Road, Waukesha, WI 53186 (US). SUN, Yi [US/US]; 19030 Cavendish Road, Brookfield, WI 53045 (US).

(74) Agents: THOMPSON, Stanley, H. et al.; Morrison & Foerster LLP, 555 West Fifth Street, Suite 3500, Los Angeles, CA 90013-1024 (US).

(81) Designated States (national): AE, AG, AL, AM, AT, AU, AZ, BA, BB, BG, BR, BY, BZ, CA, CH, CN, CO, CR, CU, CZ, DE, DK, DM, DZ, EC, EE, ES, FI, GB, GD, GE, GH, GM, HR, HU, ID, IL, IN, IS, JP, KE, KG, KP, KR, KZ, LC, LK, LR, LS, LT, LU, LV, MA, MD, MG, MK, MN, MW, MX, MZ, NO, NZ, OM, PH, PL, PT, RO, RU, SD, SE, SG, SI, SK, SL, TJ, TM, TN, TR, TT, TZ, UA, UG, US, UZ, VC, VN, YU, ZA, ZM, ZW.

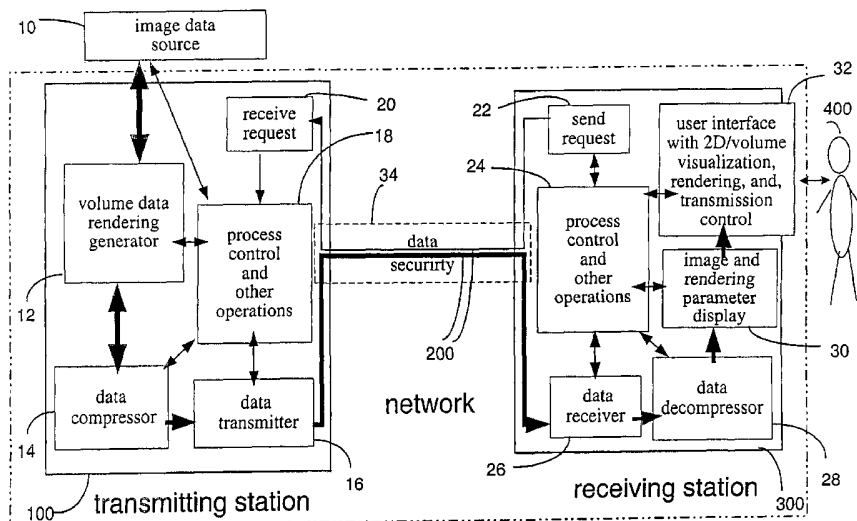
(84) Designated States (regional): ARIPO patent (GH, GM, KE, LS, MW, MZ, SD, SL, SZ, TZ, UG, ZM, ZW), Eurasian patent (AM, AZ, BY, KG, KZ, MD, RU, TJ, TM), European patent (AT, BE, BG, CH, CY, CZ, DE, DK, EE, ES, FI, FR, GB, GR, IE, IT, LU, MC, NL, PT, SE, SK, TR), OAPI patent (BF, BJ, CF, CG, CI, CM, GA, GN, GQ, GW, ML, MR, NE, SN, TD, TG).

Published:
— with international search report

(88) Date of publication of the international search report:
6 November 2003

[Continued on next page]

(54) Title: ON-LINE IMAGE PROCESSING AND COMMUNICATION SYSTEM



(57) Abstract: An image data manipulation system is described in which users located remotely from an image data storage library (10) may participate in a collaborative image data rendering and evaluation session. The system includes the exchange of state parameters between the client computer (300) of a user controlling the image rendering, the session driver, and a server computer (100) which relays updated state parameters to other client computers participating in a session. The state parameters are used to update the view on each users computer to keep all the displays of the participants in synch with that of the session driver. The server processes extensive image rendering task for which the remote clients are not equipped and transmits newly-processed image data to the clients as appropriate. One embodiment for educational applications utilizes pre-stored image data sets which eliminates the need to transmit large blocks of image data over a network during a collaborative session.

WO 03/021850 A3



For two-letter codes and other abbreviations, refer to the "Guidance Notes on Codes and Abbreviations" appearing at the beginning of each regular issue of the PCT Gazette.

INTERNATIONAL SEARCH REPORT

International application No.

PCT/US02/27895

A. CLASSIFICATION OF SUBJECT MATTER

IPC(7) : G06F 15/16
 US CL : 709/246

According to International Patent Classification (IPC) or to both national classification and IPC

B. FIELDS SEARCHED

Minimum documentation searched (classification system followed by classification symbols)
 U.S. : 709/246; 345/419

Documentation searched other than minimum documentation to the extent that such documents are included in the fields searched

Electronic data base consulted during the international search (name of data base and, where practicable, search terms used)
 EAST

C. DOCUMENTS CONSIDERED TO BE RELEVANT

Category *	Citation of document, with indication, where appropriate, of the relevant passages	Relevant to claim No.
X	US 6,222,551 B1 (SCHNEIDER et al.) 24 April 2001 (24.04.2001) Abstract, Col. 1, line 64 - col. 2, line 32; col. 3, line 6 - col. 4, line 36, col. 5, line 34 - col. 8, line 62.	1-17

Further documents are listed in the continuation of Box C.

See patent family annex.

* Special categories of cited documents:	"T"
"A" document defining the general state of the art which is not considered to be of particular relevance	later document published after the international filing date or priority date and not in conflict with the application but cited to understand the principle or theory underlying the invention
"E" earlier application or patent published on or after the international filing date	"X" document of particular relevance; the claimed invention cannot be considered novel or cannot be considered to involve an inventive step when the document is taken alone
"L" document which may throw doubts on priority claim(s) or which is cited to establish the publication date of another citation or other special reason (as specified)	"Y" document of particular relevance; the claimed invention cannot be considered to involve an inventive step when the document is combined with one or more other such documents, such combination being obvious to a person skilled in the art
"O" document referring to an oral disclosure, use, exhibition or other means	"&" document member of the same patent family
"P" document published prior to the international filing date but later than the priority date claimed	

Date of the actual completion of the international search 10 December 2002 (10.12.2002)	Date of mailing of the international search report 23 DEC 2002
Name and mailing address of the ISA/US Commissioner of Patents and Trademarks Box PCT Washington, D.C. 20231 Facsimile No. (703)305-3230	Authorized officer Le H Luu <i>Peggy Hanrod</i> Telephone No. 703-305-3900