



US00D843620S

(12) **United States Design Patent**  
**LaMarche et al.**

(10) **Patent No.:** **US D843,620 S**

(45) **Date of Patent:** **\*\* Mar. 19, 2019**

(54) **LIGHT FIXTURE**

(71) Applicant: **JST Performance, LLC**, Gilbert, AZ  
(US)

(72) Inventors: **Bradley J. LaMarche**, Gilbert, AZ  
(US); **Johnathan J. Heiner**, Mesa, AZ  
(US); **Edgar A. Madril**, Mesa, AZ  
(US)

(73) Assignee: **JST Performance, LLC**, Gilbert, AZ  
(US)

(\*\*) Term: **15 Years**

(21) Appl. No.: **29/623,462**

(22) Filed: **Oct. 25, 2017**

**Related U.S. Application Data**

(63) Continuation of application No. 29/565,567, filed on  
May 23, 2016, now Pat. No. Des. 815,318.

(51) **LOC (11) Cl.** ..... **26-07**

(52) **U.S. Cl.** ..... **D26/28**  
USPC .....

(58) **Field of Classification Search**

USPC ..... D26/28, 29, 30, 31, 32, 33, 34, 35, 36;  
362/459-468, 475-478, 485-487  
CPC ..... F21S 48/00; F21S 48/10; F21S 48/115;  
F21S 48/225; F21S 48/1233; F21S  
48/1266; F21S 48/1388; F21S 48/2268;  
F21V 21/04

See application file for complete search history.

(56) **References Cited**

**U.S. PATENT DOCUMENTS**

D643,955 S \* 8/2011 Tsai ..... D26/28  
D675,758 S \* 2/2013 Adams ..... D26/28

D697,241 S \* 1/2014 Chen ..... D26/28  
D704,365 S \* 5/2014 Adams ..... D26/28  
D718,478 S \* 11/2014 Adams ..... D26/28  
D761,482 S \* 7/2016 Largent ..... D26/118  
D782,086 S \* 3/2017 Graham ..... D26/28  
D793,592 S \* 8/2017 Chen ..... D26/28  
D799,079 S \* 10/2017 Dennis ..... D26/28  
D810,330 S \* 2/2018 Sibitzky ..... D26/28  
D812,788 S \* 3/2018 Sibitzky ..... D26/28  
D815,318 S \* 4/2018 LaMarche ..... D26/28  
D827,167 S \* 8/2018 Deyaf ..... D26/28

\* cited by examiner

*Primary Examiner* — Angela J Lee

(57) **CLAIM**

The ornamental design for a light fixture, as shown and  
described.

**DESCRIPTION**

FIG. 1 is a front, top, right, perspective view of the light  
fixture showing our new design;  
FIG. 2 is a front, top, left, perspective view thereof;  
FIG. 3 is a front, bottom, right, perspective view thereof;  
FIG. 4 is a front, bottom, left, perspective view thereof;  
FIG. 5 is a right side view thereof;  
FIG. 6 is a front side view thereof; and  
FIG. 7 is a left side view thereof;  
FIG. 8 is a back side view thereof;  
FIG. 9 is a back, top, right, perspective view thereof;  
FIG. 10 is a back, top, left, perspective view thereof;  
FIG. 11 is a back, bottom, right, perspective view thereof;  
FIG. 12 is a back, bottom, left perspective view thereof;  
FIG. 13 is a top view thereof; and,  
FIG. 14 is a bottom view thereof.

The broken lines in the drawings illustrate portions of the  
light fixture which form no part of the claimed design.

**1 Claim, 14 Drawing Sheets**





FIG. 1



FIG. 2

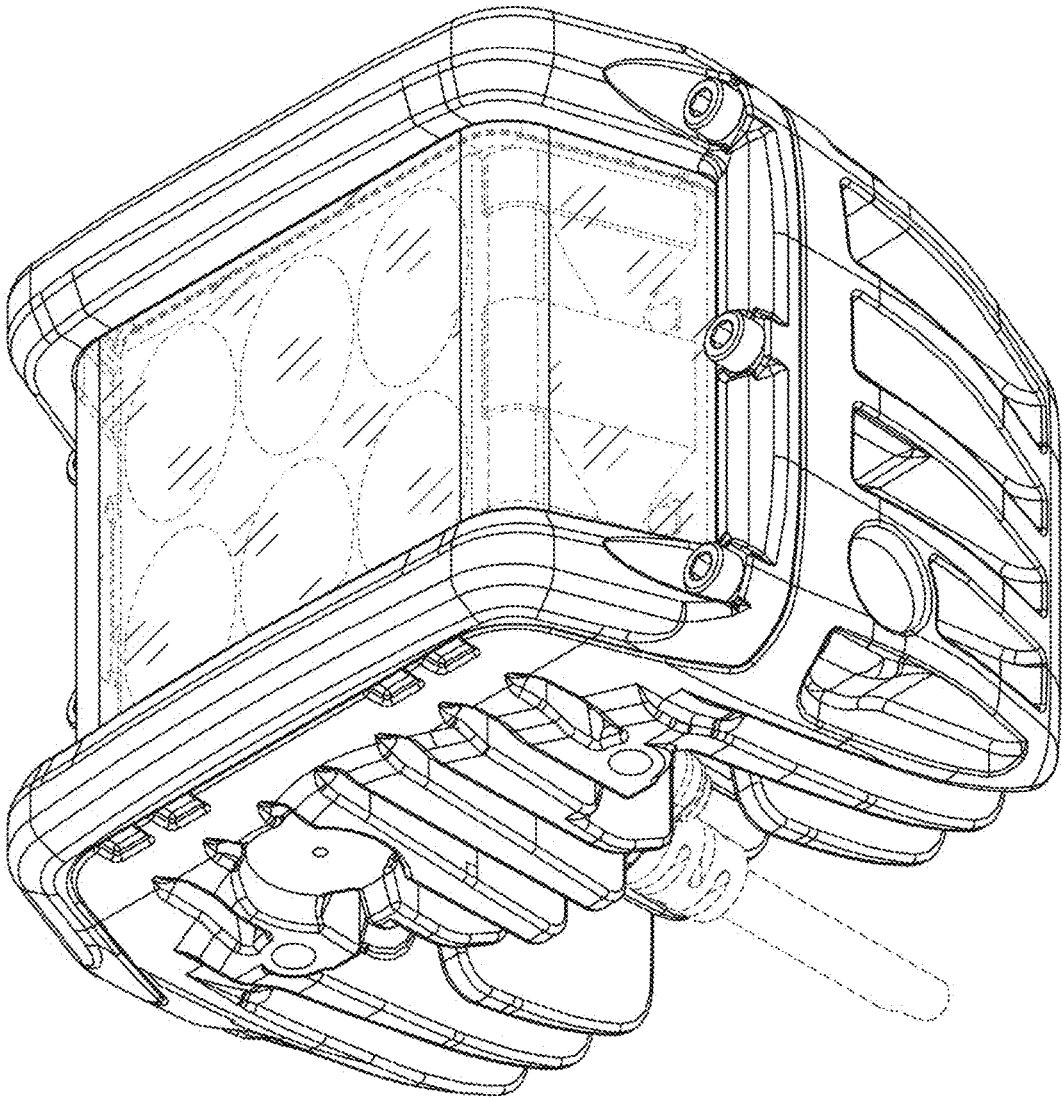


FIG. 3

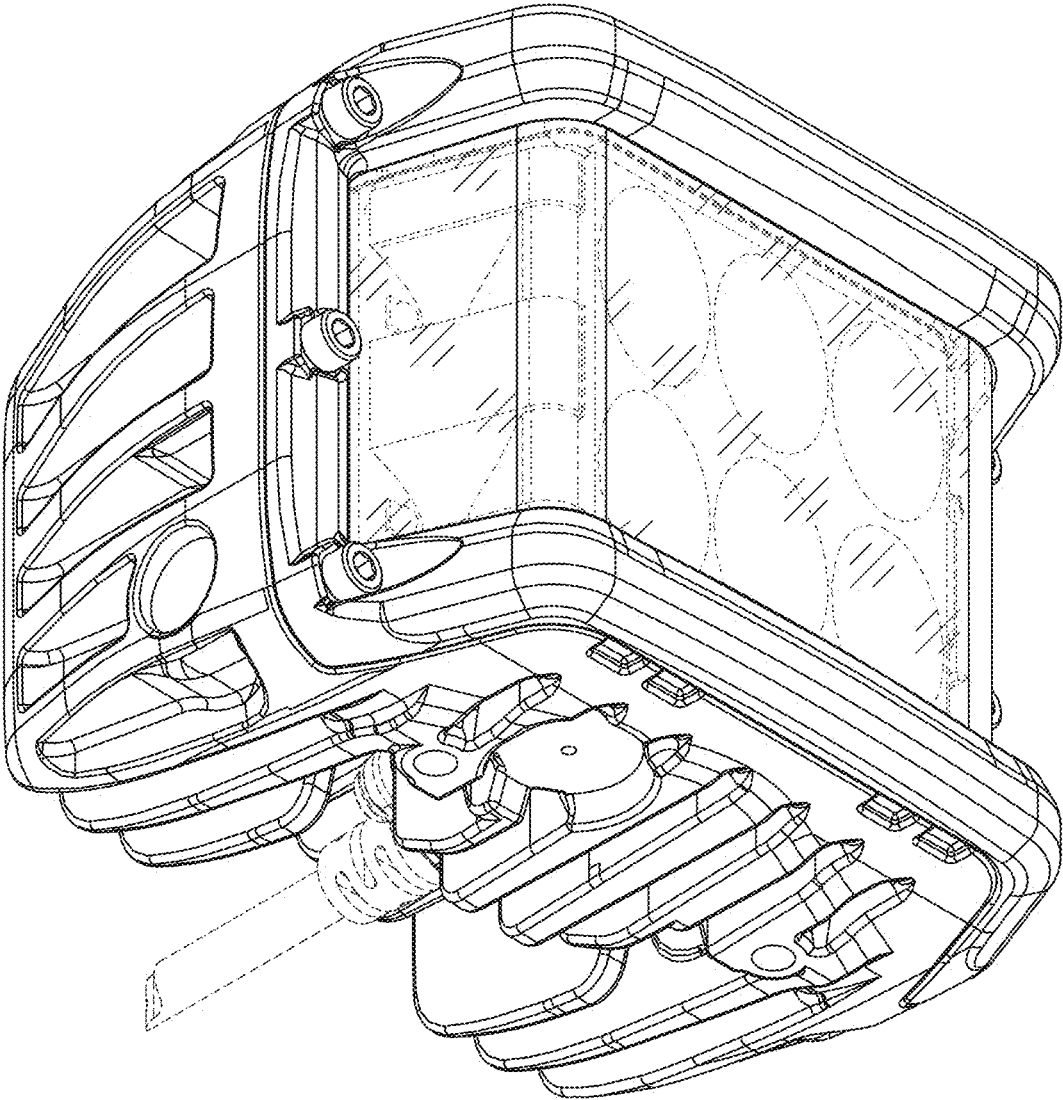


FIG. 4

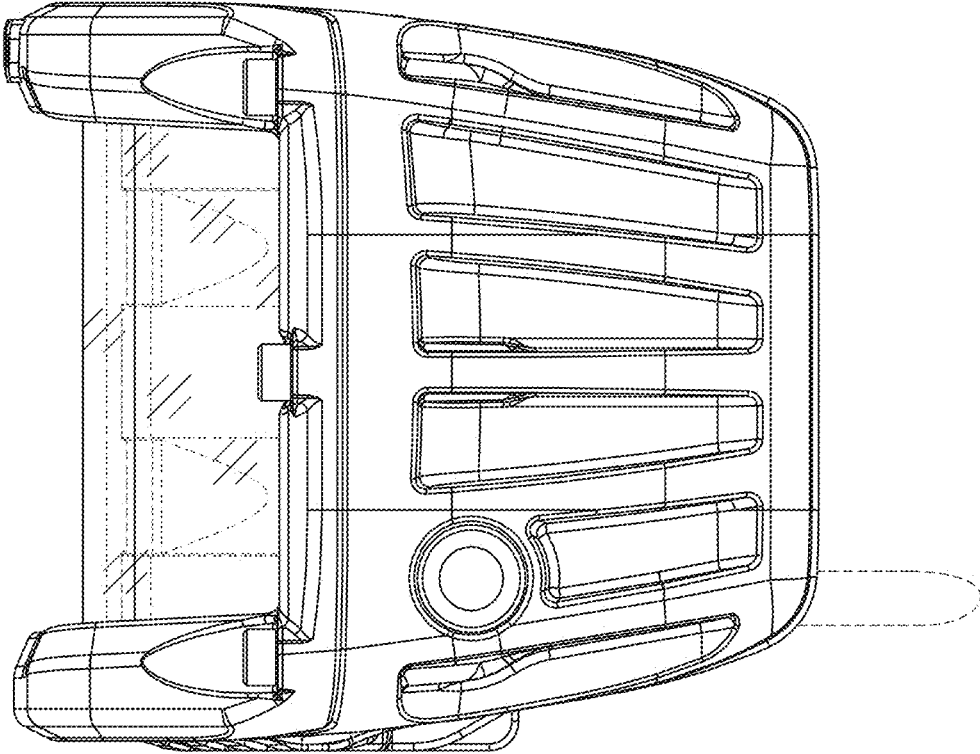


FIG. 5

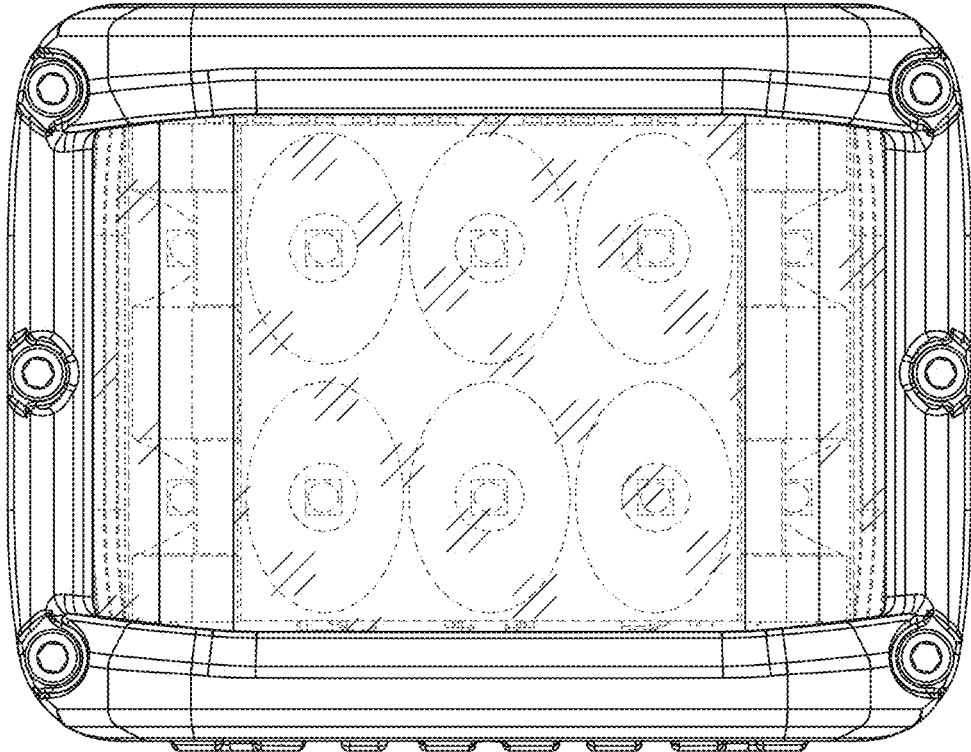


FIG. 6

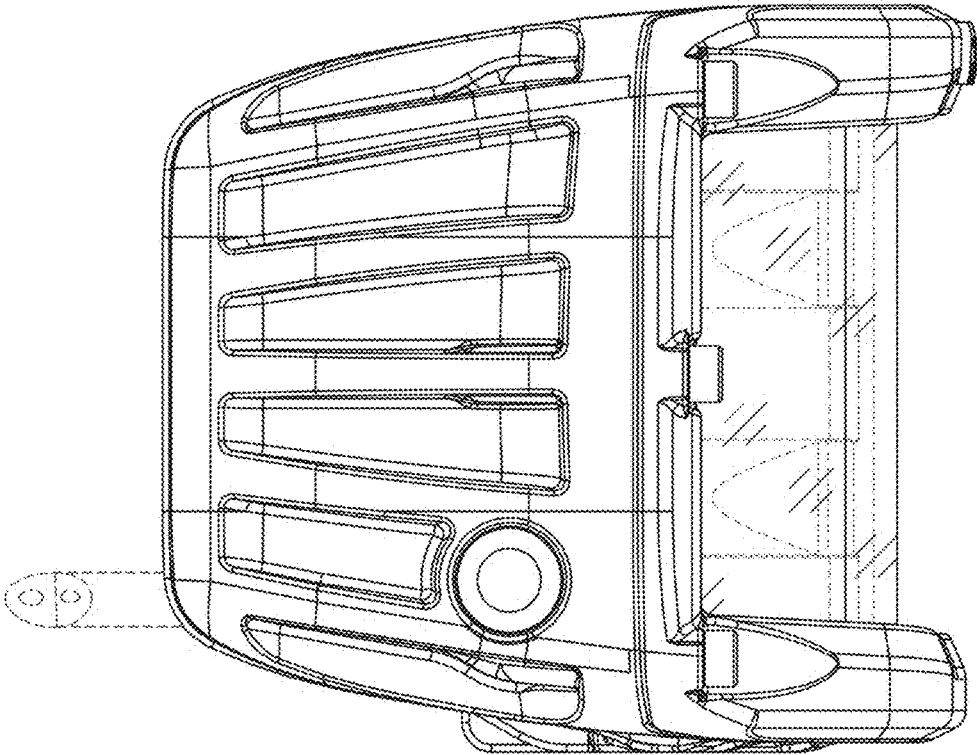


FIG. 7



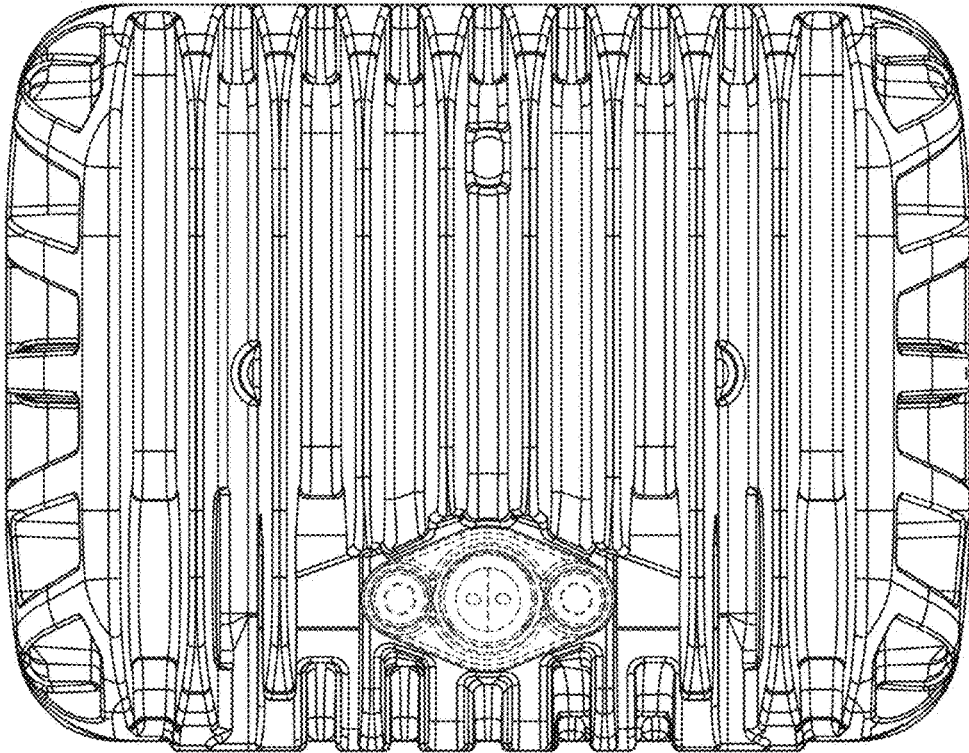


FIG. 8

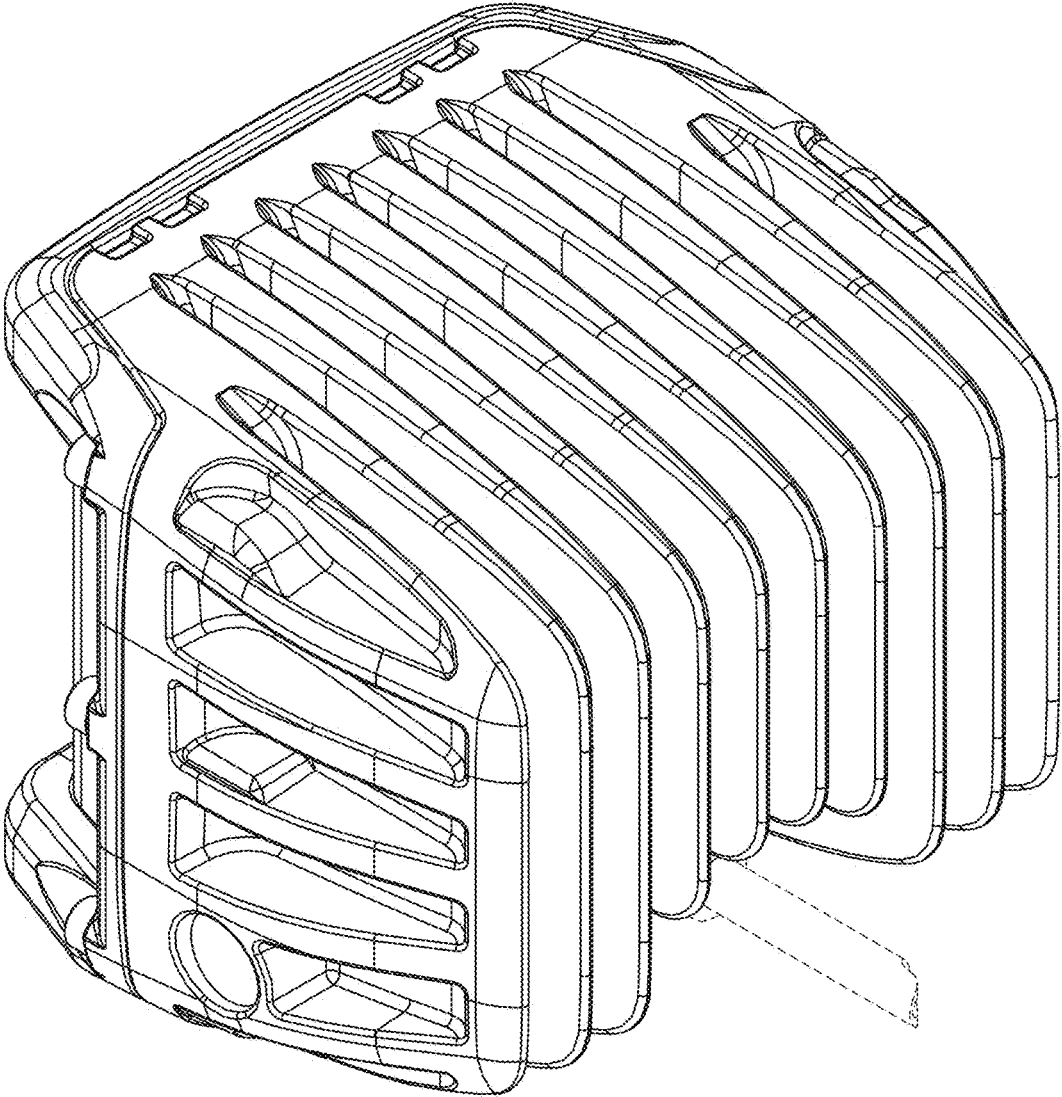


FIG. 9

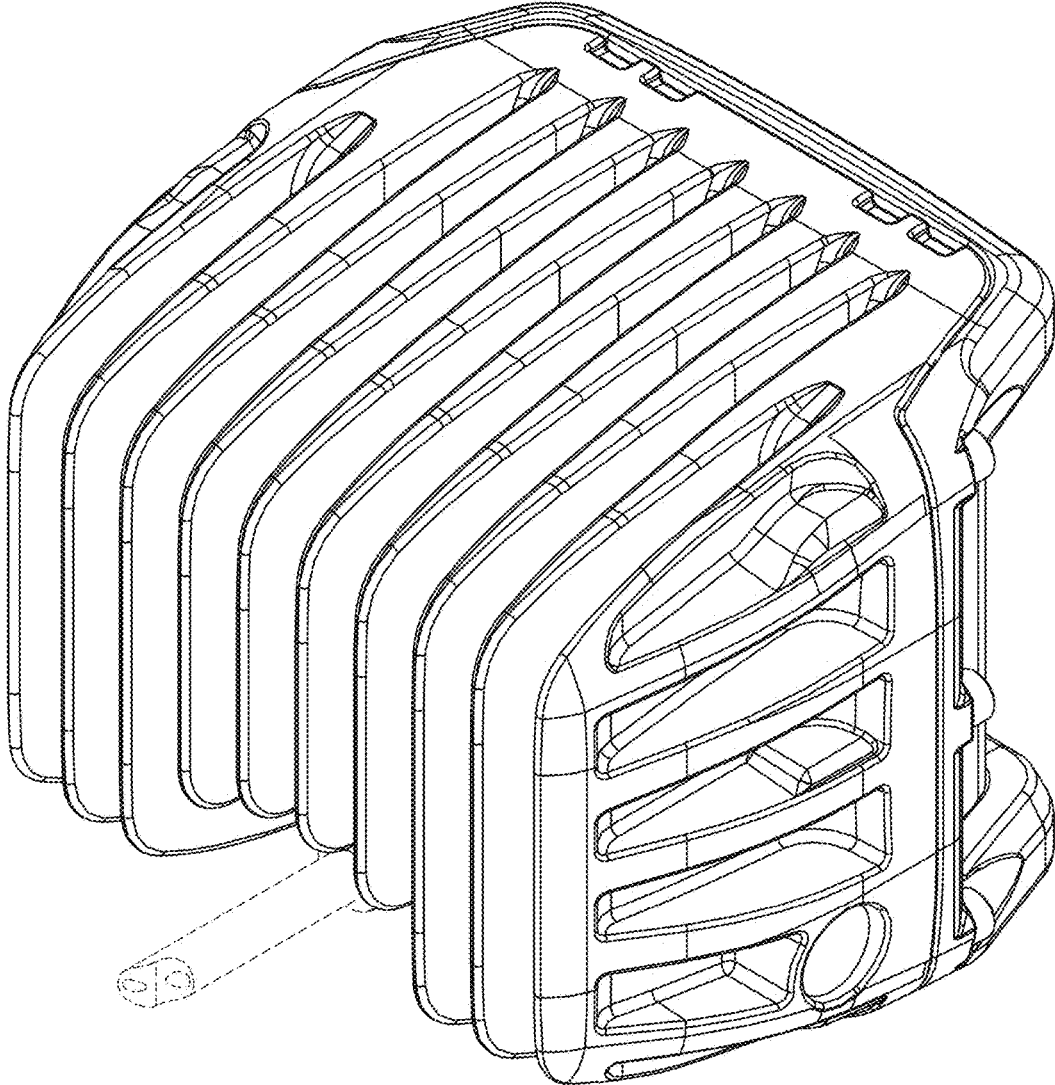


FIG. 10

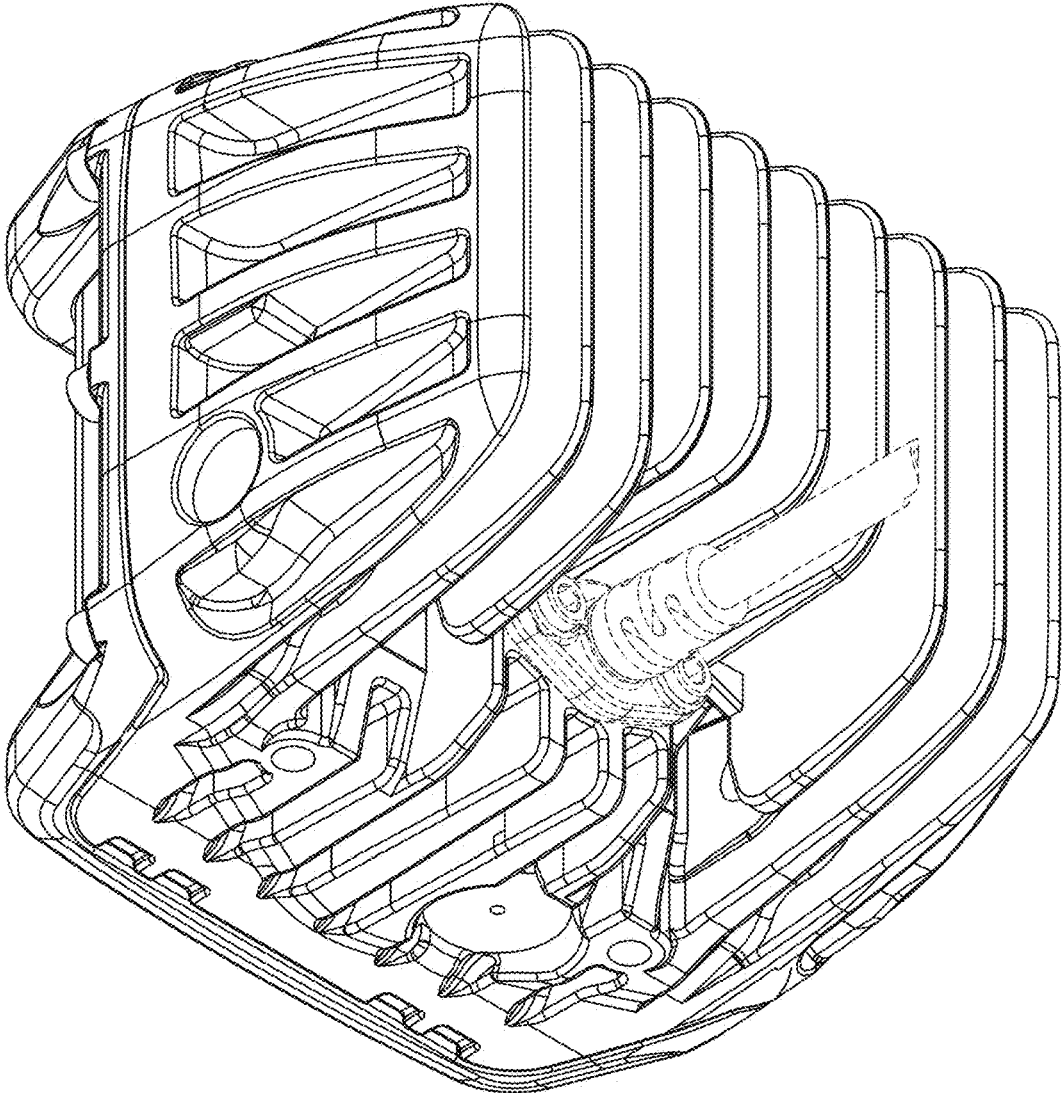


FIG. 11

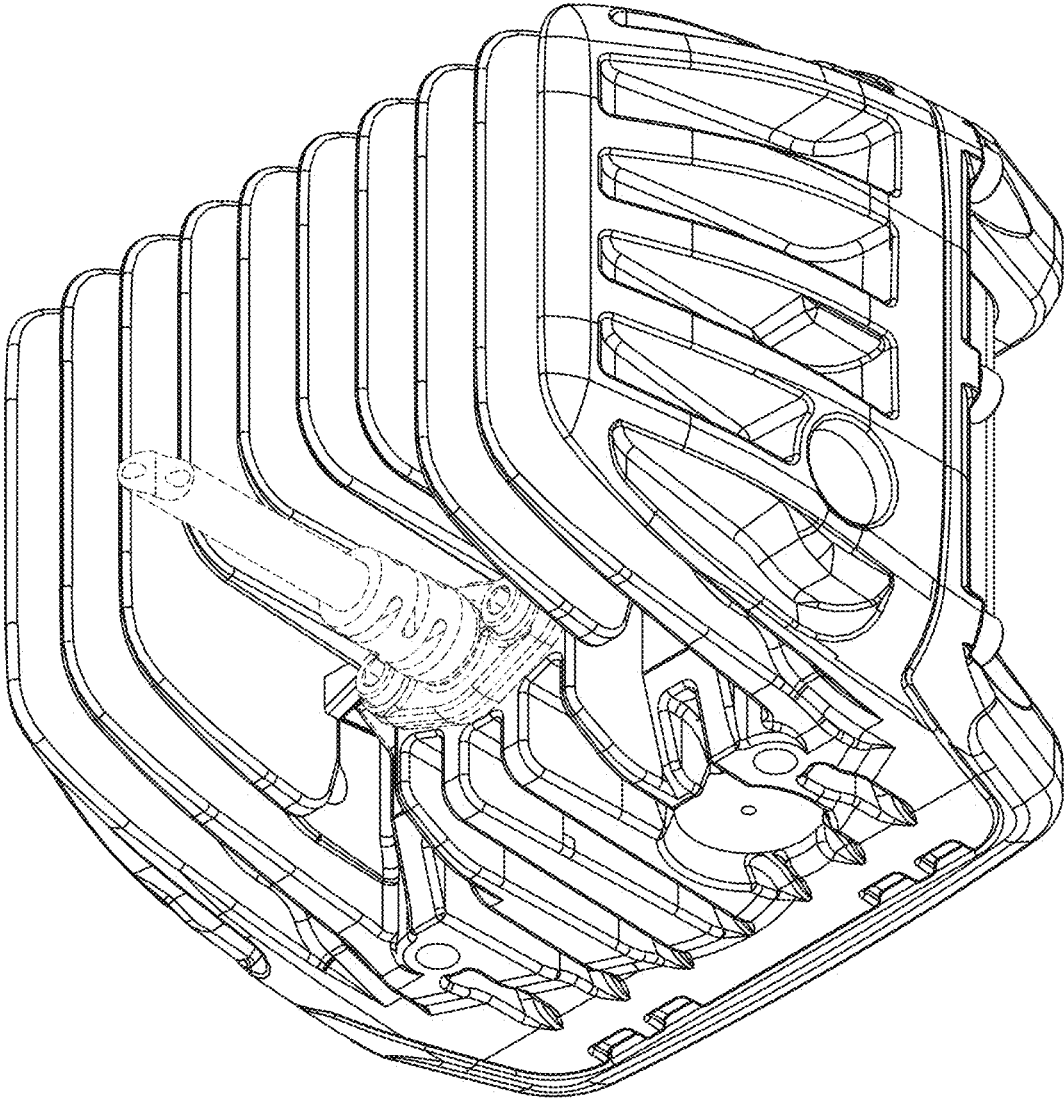


FIG. 12

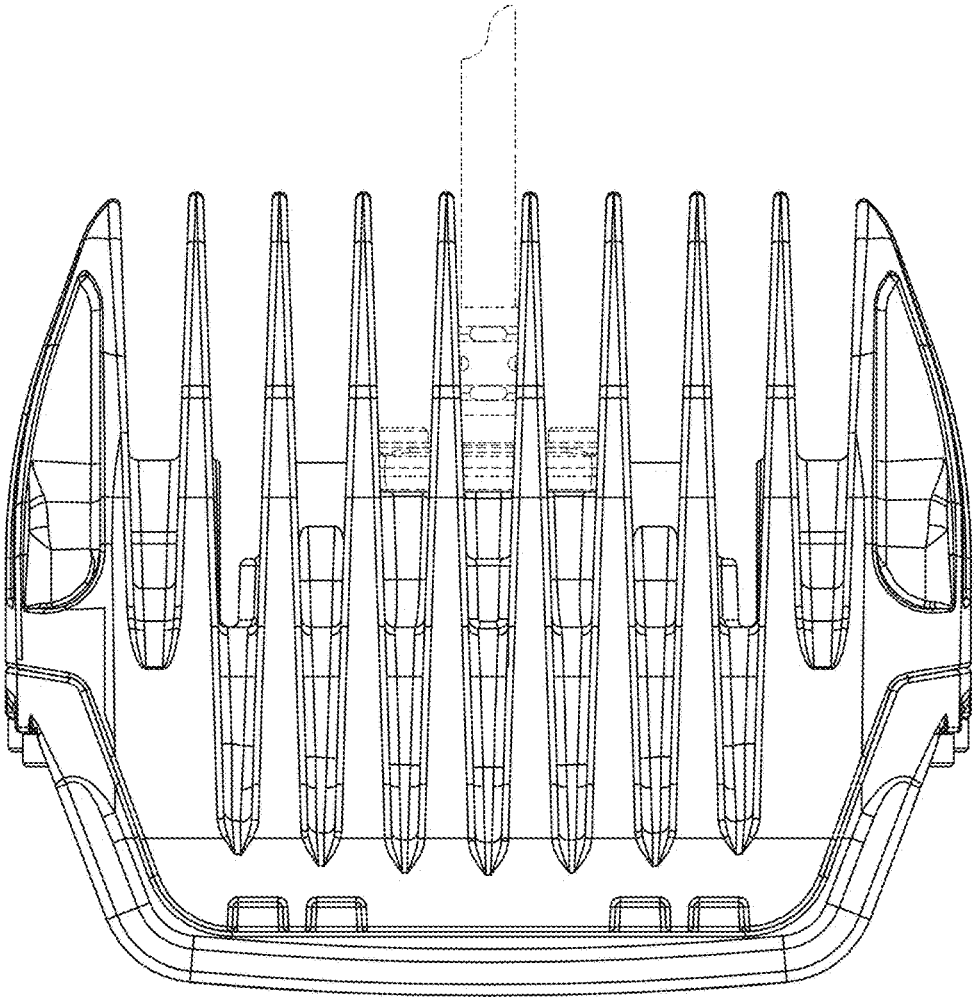


FIG. 13

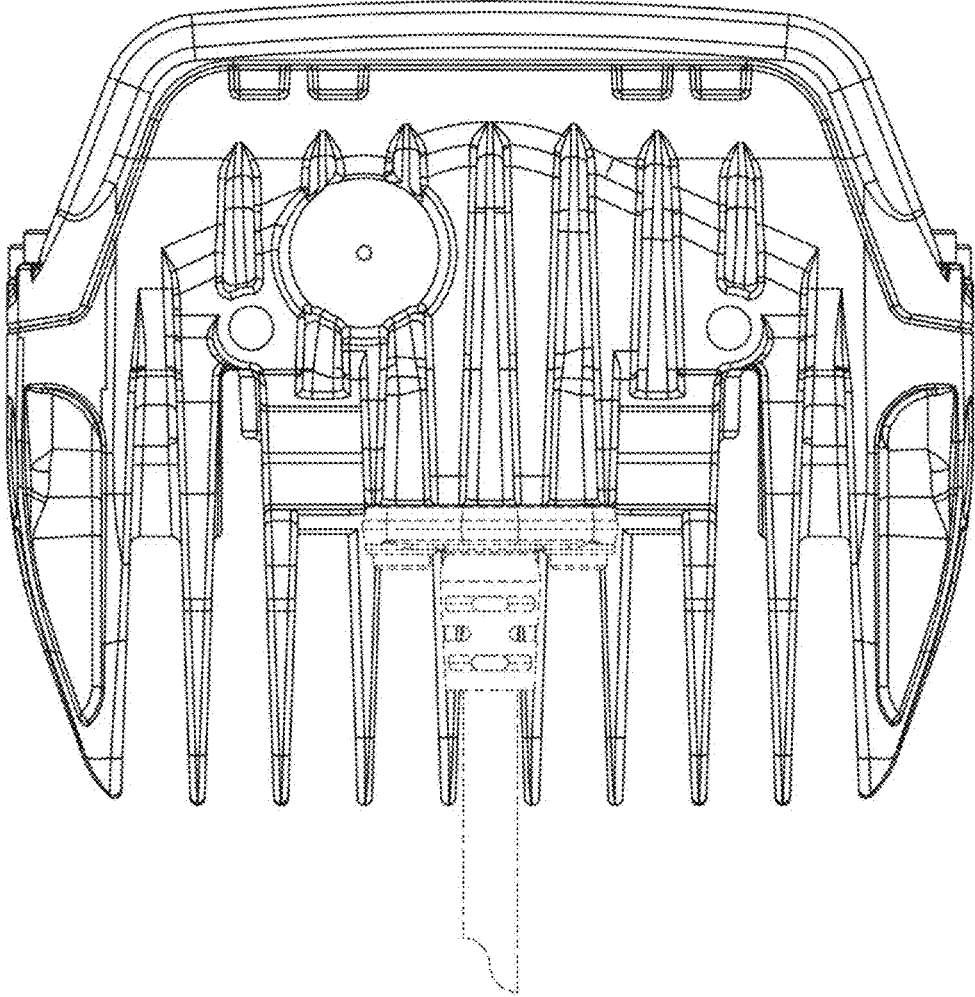


FIG. 14