



US00D764247S

(12) **United States Design Patent**
McQuillan et al.

(10) **Patent No.:** **US D764,247 S**

(45) **Date of Patent:** **** Aug. 23, 2016**

(54) **SAW BLADE**

(71) Applicant: **Milwaukee Electric Tool Corporation,**
Brookfield, WI (US)

(72) Inventors: **Patrick David John McQuillan,**
Wauwatosa, WI (US); **Brad Urban,**
Wauwatosa, WI (US); **Dylan Kugel,**
Eagle, WI (US); **Austin J. Kazda,**
Wauwatosa, WI (US); **Py Chang,**
Milwaukee, WI (US)

(73) Assignee: **MILWAUKEE ELECTRIC TOOL**
CORPORATION, Brookfield, WI (US)

(**) Term: **14 Years**

(21) Appl. No.: **29/524,203**

(22) Filed: **Apr. 17, 2015**

(51) **LOC (10) Cl.** **08-03**

(52) **U.S. Cl.**
USPC **D8/20**

(58) **Field of Classification Search**
USPC D8/19, 20, 70, 98; D15/129, 133, 134,
D15/139; 37/219
CPC B23D 61/12; B23D 61/121; B23D 61/123;
B23D 61/126; B23D 49/14
See application file for complete search history.

(56) **References Cited**

U.S. PATENT DOCUMENTS

| | | | | | | |
|-----------|------|---------|--------------------|-------|-------------|----------|
| 3,028,889 | A * | 4/1962 | McCarty | | B23D 61/128 | 30/166.3 |
| D242,980 | S * | 1/1977 | Fuller | | D8/20 | |
| 5,119,708 | A * | 6/1992 | Musgrove | | B23D 61/123 | 30/355 |
| D405,667 | S * | 2/1999 | Rivera | | D8/20 | |
| 6,244,152 | B1 * | 6/2001 | Di Nicolantonio .. | | B23D 61/021 | 83/835 |
| D465,138 | S * | 11/2002 | Raines | | D8/20 | |
| D482,945 | S * | 12/2003 | Grolimund | | D8/20 | |
| 7,225,714 | B2 * | 6/2007 | Rompel | | B23D 61/121 | 76/112 |

| | | | | | | |
|-----------|------|---------|-----------|-------|-------------|----------|
| D623,490 | S * | 9/2010 | Lauber | | D8/20 | |
| D637,876 | S * | 5/2011 | Williams | | D8/20 | |
| D640,907 | S * | 7/2011 | Underhile | | D8/20 | |
| 8,261,456 | B2 * | 9/2012 | Scott | | B23D 51/10 | 30/166.3 |
| 8,365,644 | B2 * | 2/2013 | Huffer | | B23D 61/12 | 30/369 |
| D686,049 | S * | 7/2013 | Ji | | D8/20 | |
| D686,470 | S * | 7/2013 | Ji | | D8/20 | |
| D687,276 | S * | 8/2013 | Ji | | D8/20 | |
| D688,543 | S * | 8/2013 | Neitzell | | D8/20 | |
| 8,596,166 | B2 * | 12/2013 | Bucks | | B23D 61/121 | 76/112 |
| 8,607,464 | B2 * | 12/2013 | Scott | | B23D 51/01 | 30/166.3 |
| 8,689,667 | B2 * | 4/2014 | Butzen | | B23D 61/121 | 30/355 |
| D706,099 | S * | 6/2014 | Neitzell | | D8/20 | |
| 8,776,659 | B2 * | 7/2014 | Butzen | | B23D 61/121 | 30/355 |

(Continued)

Primary Examiner — Elizabeth Albert

(74) *Attorney, Agent, or Firm* — Michael Best & Friedrich LLP

(57) **CLAIM**

We claim the ornamental design for a saw blade, as shown and described.

DESCRIPTION

FIG. 1 is a perspective view of a saw blade showing our new design;

FIG. 2 is a first side view of the saw blade of FIG. 1.

FIG. 3 is a second side view of the saw blade of FIG. 1.

FIG. 4 is a top view of the saw blade of FIG. 1.

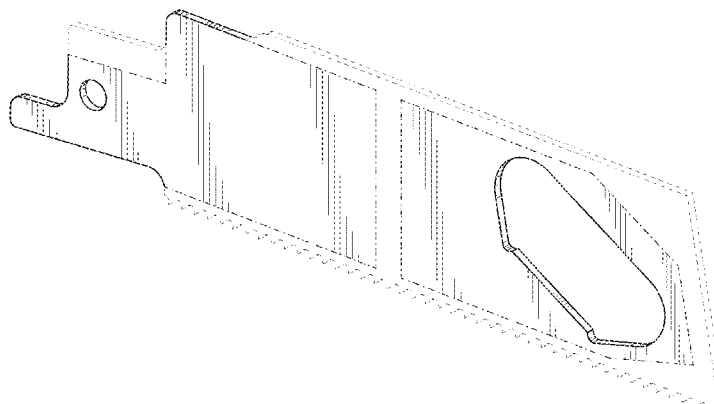
FIG. 5 is a bottom view of the saw blade of FIG. 1.

FIG. 6 is a first end view of the saw blade of FIG. 1; and,

FIG. 7 is a second end view of the saw blade of FIG. 1.

Portions of the saw blade shown in evenly spaced broken lines form no part of the claimed design. The long and short broken lines that define the bounds of the claimed design form no part thereof.

1 Claim, 3 Drawing Sheets



(56)

References Cited

U.S. PATENT DOCUMENTS

D732,914 S * 6/2015 Hampton D8/20
 9,079,259 B2 * 7/2015 Grolimund B23D 61/14
 9,132,492 B2 * 9/2015 Butzen B23D 61/125
 D744,794 S * 12/2015 Elliston D8/20
 2002/0184988 A1 * 12/2002 Rohman B23D 61/123
 83/835
 2005/0262702 A1 * 12/2005 Hawthorn B23D 61/126
 30/166.3
 2006/0130341 A1 * 6/2006 Burry B23D 61/121
 30/166.3
 2006/0130628 A1 * 6/2006 Rompel B23D 61/121
 83/835
 2006/0174495 A1 * 8/2006 Junior B23D 51/10
 30/339

2009/0049973 A1 * 2/2009 Huffer B23D 61/12
 83/697
 2009/0145280 A1 * 6/2009 Bucks B23D 61/121
 83/835
 2010/0126328 A1 * 5/2010 Grolimund B23D 61/128
 83/848
 2012/0042765 A1 * 2/2012 Kazda B23D 49/11
 83/835
 2012/0090443 A1 * 4/2012 Butzen B23D 61/121
 83/849
 2012/0297952 A1 * 11/2012 Butzen B23D 61/121
 83/835
 2014/0260879 A1 * 9/2014 Grolimund B23D 61/121
 83/835
 2014/0283667 A1 * 9/2014 Butzen B23D 61/121
 83/835
 2015/0231713 A1 * 8/2015 Kazda B23D 61/12
 83/835

* cited by examiner

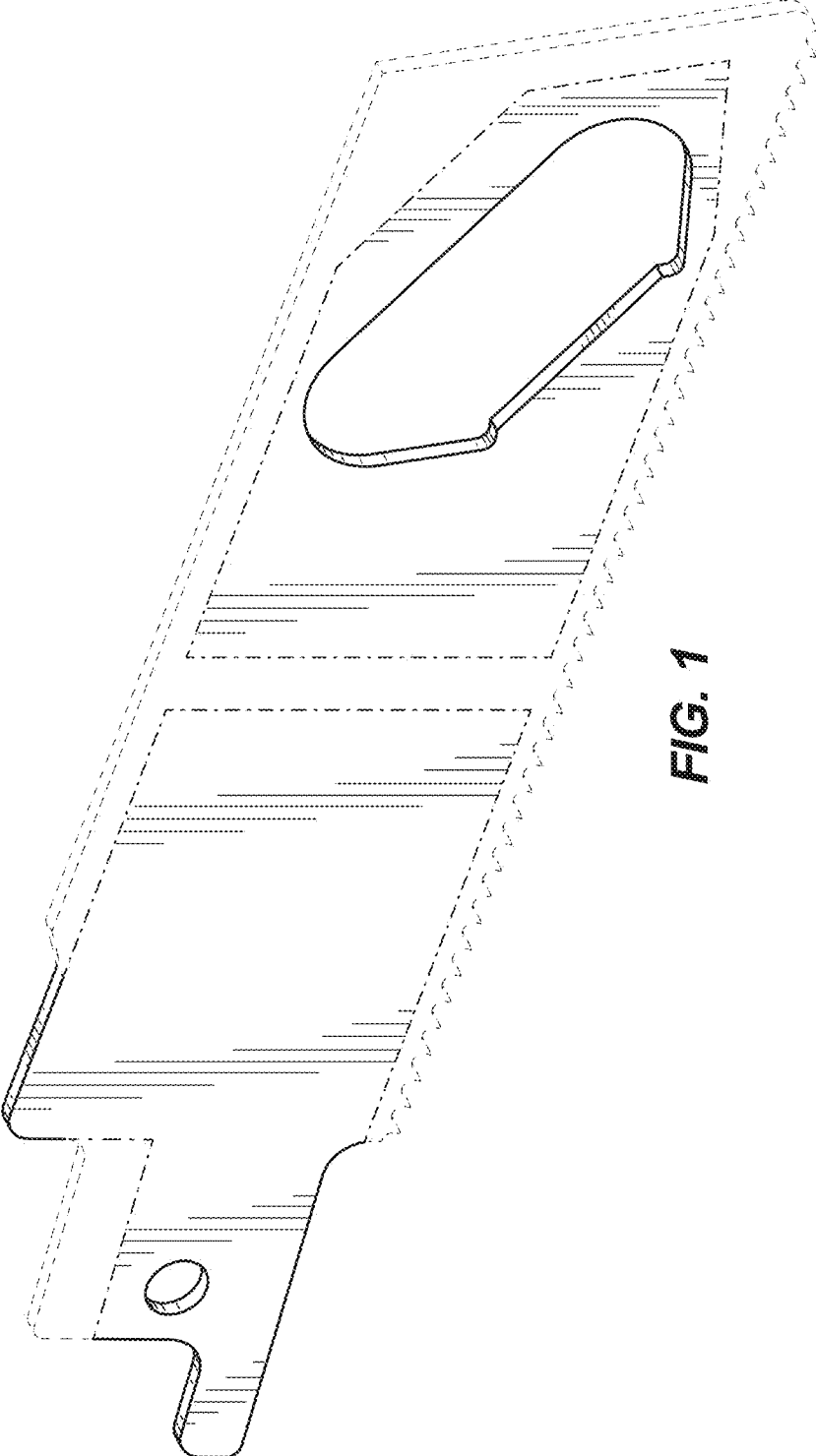


FIG. 1

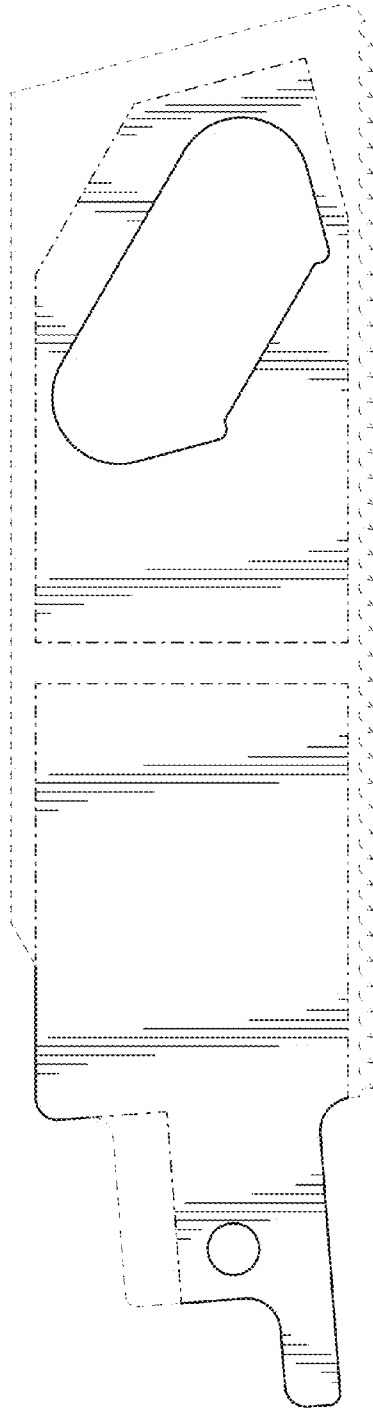


FIG. 2

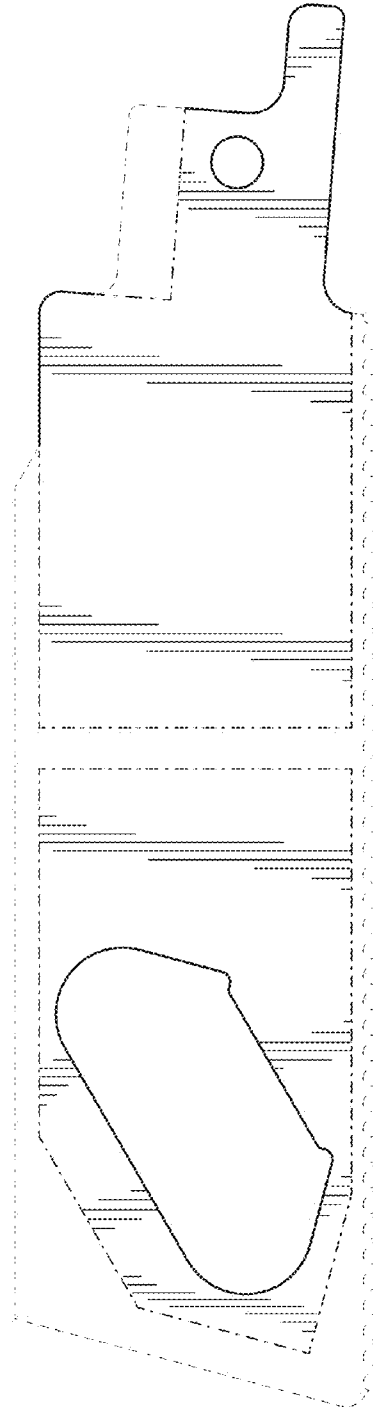


FIG. 3

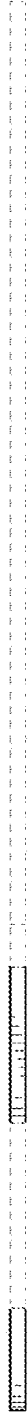


FIG. 4

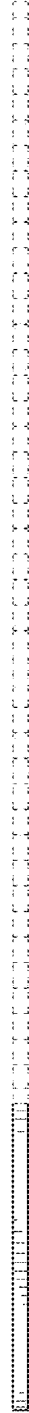


FIG. 5

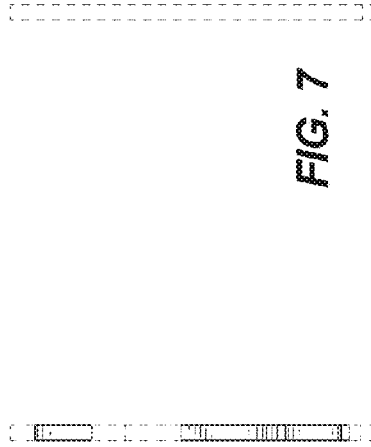


FIG. 6

FIG. 7