



US00D728616S

(12) **United States Design Patent**  
**Gomez et al.**

(10) **Patent No.:** **US D728,616 S**

(45) **Date of Patent:** **\*\* May 5, 2015**

- (54) **DISPLAY SCREEN WITH TRANSITIONAL GRAPHICAL USER INTERFACE**
- (71) Applicant: **Microsoft Corporation**, Redmond, WA (US)
- (72) Inventors: **Harold S. Gomez**, Seattle, WA (US); **Joy Yun-Jung Chen**, Redmond, WA (US)
- (73) Assignee: **Microsoft Corporation**, Redmond, WA (US)

(\*\*) Term: **14 Years**

(21) Appl. No.: **29/456,198**

(22) Filed: **May 29, 2013**

(51) **LOC (10) Cl.** ..... **14-04**

(52) **U.S. Cl.** ..... **D14/491**

(58) **Field of Classification Search**  
 CPC ..... G06F 3/0482; G06F 8/34; G06F 3/04817; G06F 3/048  
 USPC ..... D14/485-495; 715/703, 715, 727, 763, 715/773, 776, 779, 839, 810, 811, 812, 813, 715/814, 815, 821, 825, 828, 833, 835, 836, 715/837, 838, 840, 846, 847, 864, 963, 974, 715/976, 977

See application file for complete search history.

(56) **References Cited**

**U.S. PATENT DOCUMENTS**

D525,984 S	8/2006	Hally et al.	
D528,124 S	9/2006	Hally et al.	
D528,559 S	9/2006	Hally et al.	
D588,154 S	3/2009	Bouchard et al.	
D601,165 S *	9/2009	Truelove et al.	D14/491

D645,470 S *	9/2011	Matas	D14/489
D650,393 S *	12/2011	Doll	D14/486
D676,866 S *	2/2013	Chaudhri	D14/487
D706,791 S *	6/2014	Sassoon	D14/486
D709,080 S *	7/2014	Kim	D14/486
D711,402 S *	8/2014	Thornton et al.	D14/486
D711,406 S *	8/2014	Hurd et al.	D14/486
8,856,648 B2 *	10/2014	Yang et al.	715/702
D716,834 S *	11/2014	Myung et al.	D14/486
2010/0017715 A1 *	1/2010	Balassanian	715/716
2014/0229889 A1 *	8/2014	Hilbrink et al.	715/784
2014/0325402 A1 *	10/2014	Jung et al.	715/763

\* cited by examiner

*Primary Examiner* — Angela J Lee

(74) *Attorney, Agent, or Firm* — Banner & Witcoff, Ltd.

(57) **CLAIM**

The ornamental design for a display screen with transitional graphical user interface, as shown and described.

**DESCRIPTION**

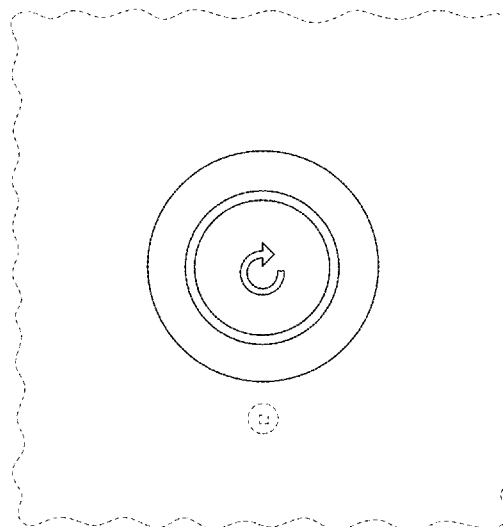
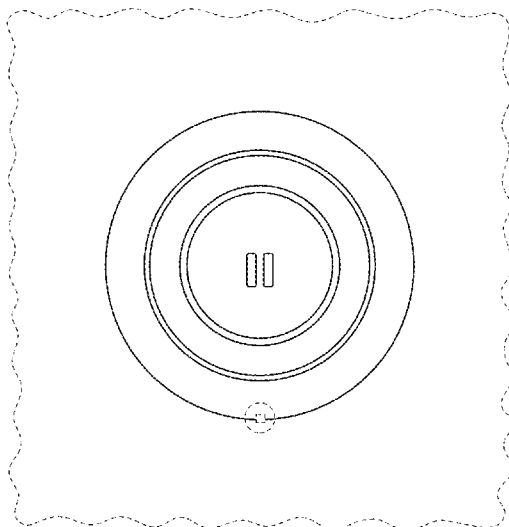
FIG. 1 is the first image in a sequence for a display screen with transitional graphical user interface showing the new design; FIG. 2 is the second image thereof;

FIG. 3 is the first image in a sequence for a display screen with transitional graphical user interface showing the new design on a device; and,

FIG. 4 is the second image thereof.

The broken line showing of the remainder of the graphical user interface and the remainder of the display screen is for environmental purposes only and forms no part of the claimed design. The appearance of the transitional graphical user interface sequentially transitions between the images shown in FIGS. 1-2 and FIGS. 3-4. The process or period in which one image transitions to another forms no part of the claimed design.

**1 Claim, 4 Drawing Sheets**



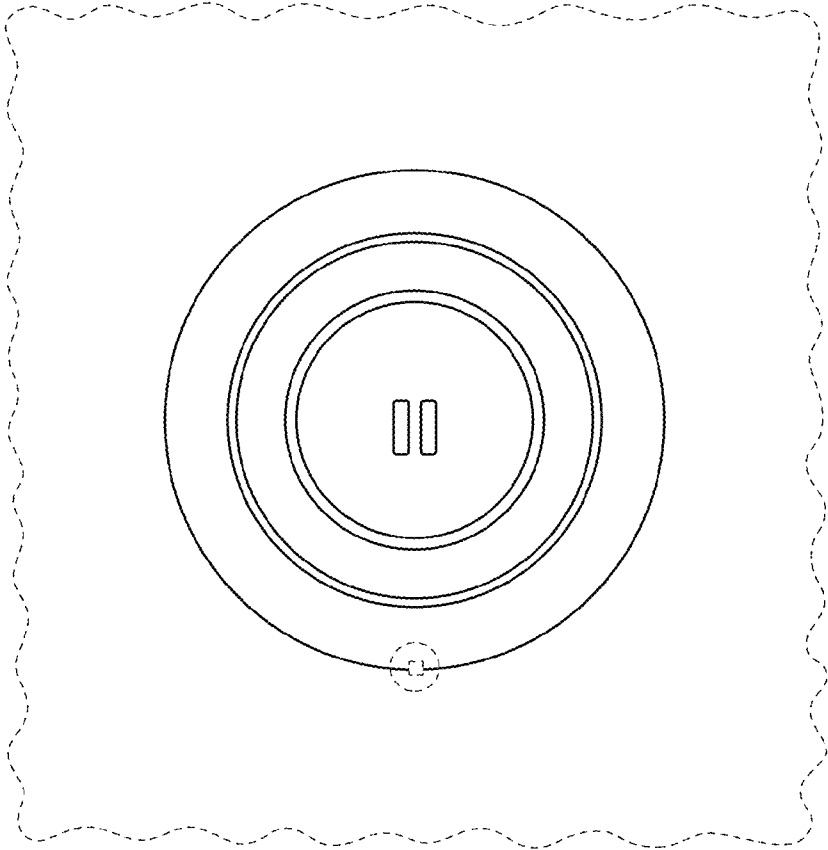


FIGURE 1

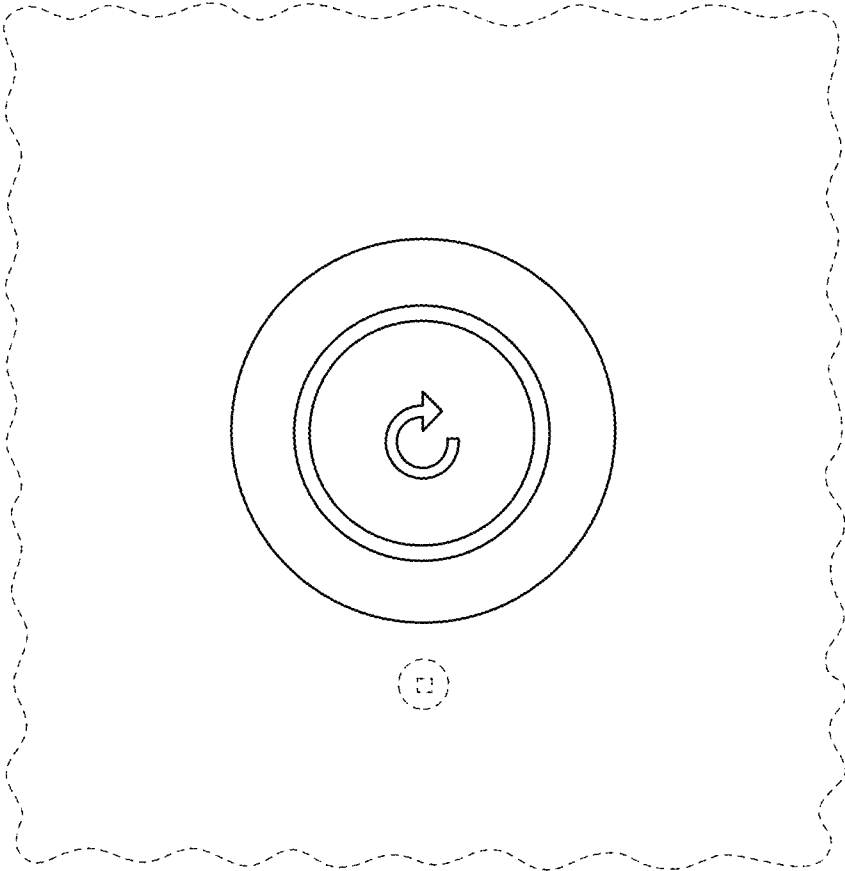


FIGURE 2

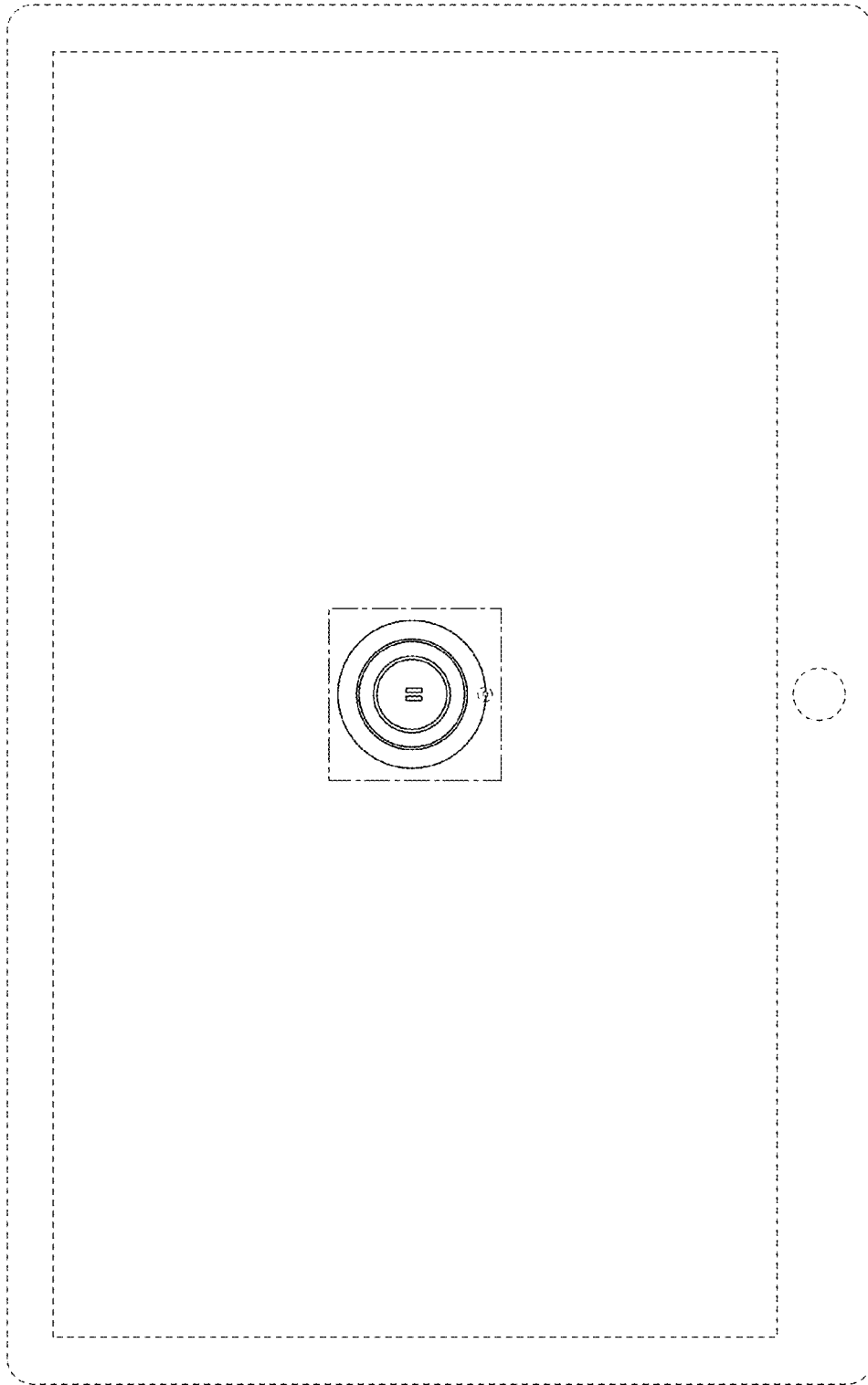


FIGURE 3

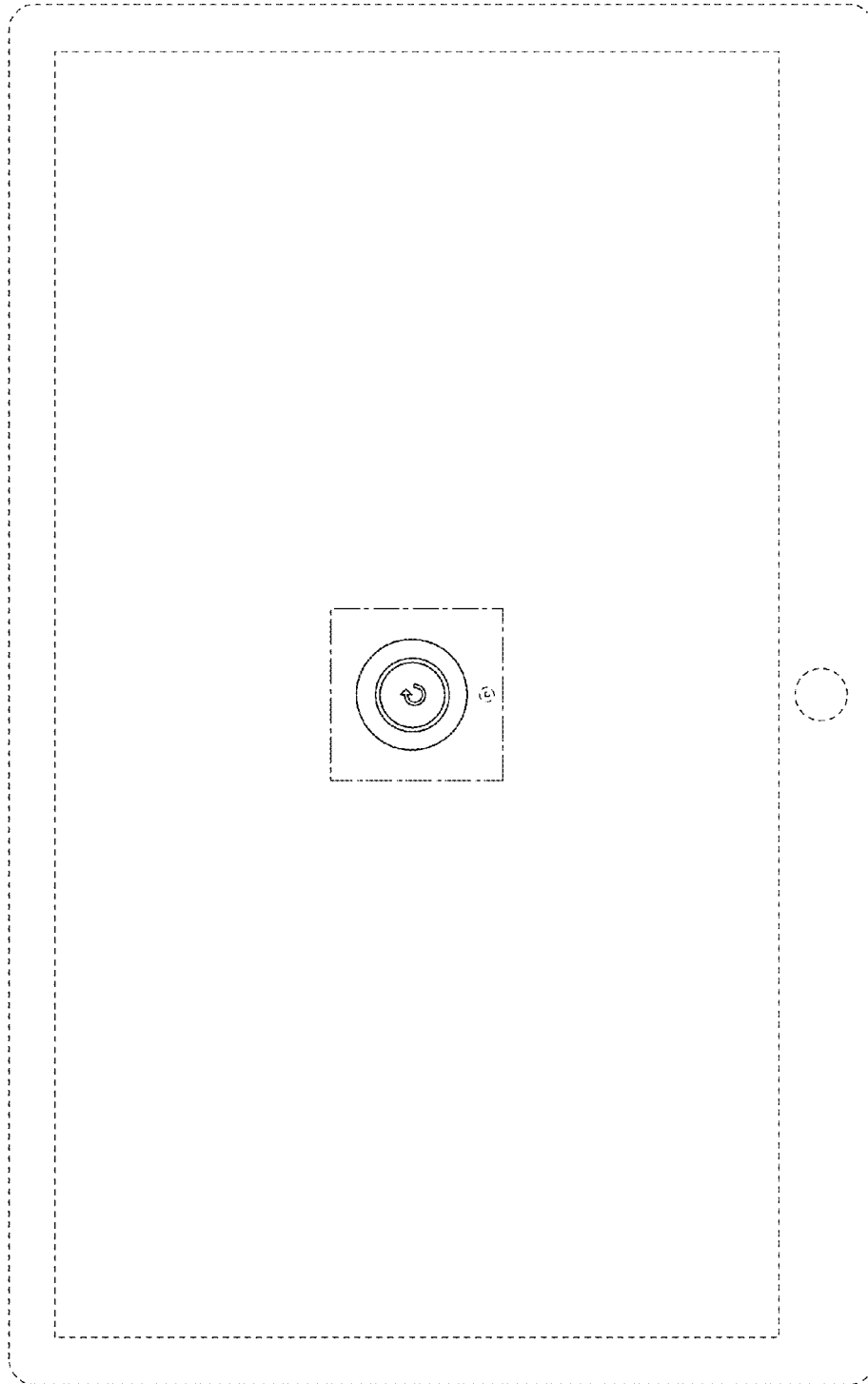


FIGURE 4