

(19) World Intellectual Property Organization
International Bureau



(43) International Publication Date
14 January 2010 (14.01.2010)

(10) International Publication Number
WO 2010/005767 A3

- (51) **International Patent Classification:**
H04B 17/00 (2006.01) H04M 3/22 (2006.01)
H04W 24/06 (2009.01)
- (21) **International Application Number:**
PCT/US2009/047916
- (22) **International Filing Date:**
19 June 2009 (19.06.2009)
- (25) **Filing Language:** English
- (26) **Publication Language:** English
- (30) **Priority Data:**
12/170,677 10 July 2008 (10.07.2008) US
- (71) **Applicant (for all designated States except US):** LITE-POINT CORPORATION [US/US]; 575 Maude Court, Sunnyvale, CA 94085 (US).
- (72) **Inventors:** OLGAARD, Christian, Volf; 21355 Saratoga Hills Road, Saratoga, California 95070 (US). ANDERSEN, Carsten; 825 E. Evelyn Avenue, #435, Sunnyvale, CA 94086 (US). PETERSEN, Peter; 308 Foothill Drive, Brentwood, California 94513 (US). EL-HASSAN, Wasim; Refsnaesgade 52, 5, 2 Door, DK-2200 Copenhagen (DK).
- (74) **Agents:** DALLA VALLE, Mark, A. et al.; Vedder Price P.C., 222 N. LaSalle St., Suite 2600, Chicago, IL 60601 (US).

- (81) **Designated States (unless otherwise indicated, for every kind of national protection available):** AE, AG, AL, AM, AO, AT, AU, AZ, BA, BB, BG, BH, BR, BW, BY, BZ, CA, CH, CL, CN, CO, CR, CU, CZ, DE, DK, DM, DO, DZ, EC, EE, EG, ES, FI, GB, GD, GE, GH, GM, GT, HN, HR, HU, ID, IL, IN, IS, JP, KE, KG, KM, KN, KP, KR, KZ, LA, LC, LK, LR, LS, LT, LU, LY, MA, MD, ME, MG, MK, MN, MW, MX, MY, MZ, NA, NG, NI, NO, NZ, OM, PE, PG, PH, PL, PT, RO, RS, RU, SC, SD, SE, SG, SK, SL, SM, ST, SV, SY, TJ, TM, TN, TR, TT, TZ, UA, UG, US, UZ, VC, VN, ZA, ZM, ZW.
- (84) **Designated States (unless otherwise indicated, for every kind of regional protection available):** ARIPO (BW, GH, GM, KE, LS, MW, MZ, NA, SD, SL, SZ, TZ, UG, ZM, ZW), Eurasian (AM, AZ, BY, KG, KZ, MD, RU, TJ, TM), European (AT, BE, BG, CH, CY, CZ, DE, DK, EE, ES, FI, FR, GB, GR, HR, HU, IE, IS, IT, LT, LU, LV, MC, MK, MT, NL, NO, PL, PT, RO, SE, SI, SK, TR), OAPI (BF, BJ, CF, CG, CI, CM, GA, GN, GQ, GW, ML, MR, NE, SN, TD, TG).

- Published:**
- with international search report (Art. 21(3))
 - before the expiration of the time limit for amending the claims and to be republished in the event of receipt of amendments (Rule 48.2(h))
- (88) **Date of publication of the international search report:**
11 March 2010

(54) **Title:** METHOD FOR TESTING RADIO FREQUENCY (RF) RECEIVER TO PROVIDE POWER CORRECTION DATA

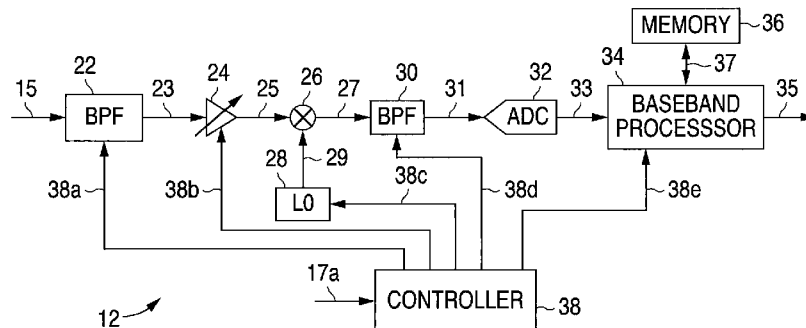


FIG. 3

(57) **Abstract:** A method for testing a radio frequency (RF) receiver as a device under test (DUT) with one or more test instruments to provide a plurality of relative power correction factors, a plurality of received signal strength indication (RSSI) calibration factors, or both.

WO 2010/005767 A3

A. CLASSIFICATION OF SUBJECT MATTER***H04B 17/00(2006.01)i, H04W 24/06(2009.01)i, H04M 3/22(2006.01)i***

According to International Patent Classification (IPC) or to both national classification and IPC

B. FIELDS SEARCHED

Minimum documentation searched (classification system followed by classification symbols)

IPC: H04B, G06F, H03C, H04L

Documentation searched other than minimum documentation to the extent that such documents are included in the fields searched

Korean utility models and applications for utility models since 1975.

Japanese utility models and applications for utility models since 1975.

Electronic data base consulted during the international search (name of data base and, where practicable, search terms used)

eKOMPASS(KIPO internal) & Keywords: calibration, RSSI, test, carrier

C. DOCUMENTS CONSIDERED TO BE RELEVANT

Category*	Citation of document, with indication, where appropriate, of the relevant passages	Relevant to claim No.
A	US 2005-0221765 A1 (SHEN et al.) 06 October 2005 See the abstract and figures 7A, 7B, 8, 9.	1-14
A	US 2006-0183432 A1 (BRESLIN et al.) 17 August 2006 See the abstract, claims 9-10, and figure 1.	1-14
A	US 2004-0064281 A1 (KIM) 01 April 2004 See the abstract, claim 7, and figures 2, 3, 9.	1-14
A	US 2007-0036208 A1 (OLGAARD) 15 February 2007 See the abstract, claims 1-4, and figures 2, 4.	1-14
A	US 2008-0285467 A1 (OLGAARD) 20 November 2008 See the abstract and figures 1, 15.	1-14

 Further documents are listed in the continuation of Box C. See patent family annex.

* Special categories of cited documents:

"A" document defining the general state of the art which is not considered to be of particular relevance

"E" earlier application or patent but published on or after the international filing date

"L" document which may throw doubts on priority claim(s) or which is cited to establish the publication date of citation or other special reason (as specified)

"O" document referring to an oral disclosure, use, exhibition or other means

"P" document published prior to the international filing date but later than the priority date claimed

"T" later document published after the international filing date or priority date and not in conflict with the application but cited to understand the principle or theory underlying the invention

"X" document of particular relevance; the claimed invention cannot be considered novel or cannot be considered to involve an inventive step when the document is taken alone

"Y" document of particular relevance; the claimed invention cannot be considered to involve an inventive step when the document is combined with one or more other such documents, such combination being obvious to a person skilled in the art

"&" document member of the same patent family

Date of the actual completion of the international search

20 JANUARY 2010 (20.01.2010)

Date of mailing of the international search report

22 JANUARY 2010 (22.01.2010)

Name and mailing address of the ISA/KR

Korean Intellectual Property Office
Government Complex-Daejeon, 139 Seonsa-ro, Seo-gu,
Daejeon 302-701, Republic of Korea

Facsimile No. 82-42-472-7140

Authorized officer

SOHN, Hyun-Woong

Telephone No. 82-42-481-5973



INTERNATIONAL SEARCH REPORT

Information on patent family members

International application No.

PCT/US2009/047916

Patent document cited in search report	Publication date	Patent family member(s)	Publication date
US 2005-0221765 A1	06.10.2005	US 2009-017774 A1 US 7561851 B2 WO 2005-099111 A1	15.01.2009 14.07.2009 20.10.2005
US 2006-0183432 A1	17.08.2006	WO 2006-076582 A1	20.07.2006
US 2004-0064281 A1	01.04.2004	US 2005-0059367 A1 US 6829550 B2 US 7454189 B2	17.03.2005 07.12.2004 18.11.2008
US 2007-0036208 A1	15.02.2007	CA 2607294 A1 EP 1913715 A2 JP 2009-505491 A KR 10-2008-0034418 A MX 2007014816 A US 7564896 B2 WO 2007-021469 A2 WO 2007-021469 A3	22.02.2007 23.04.2008 05.02.2009 21.04.2008 21.04.2008 21.07.2009 22.02.2007 22.02.2007
US 2008-0285467 A1	20.11.2008	TW 200924407 A WO 2009-023516 A1	01.06.2009 19.02.2009