



US00D724263S

(12) **United States Design Patent**
Malhi

(10) **Patent No.:** **US D724,263 S**

(45) **Date of Patent:** **** Mar. 10, 2015**

(54) **ELECTRONIC SMOKING DEVICE**

(71) Applicant: **Anil K. Malhi**, Riverside, CA (US)

(72) Inventor: **Anil K. Malhi**, Riverside, CA (US)

(**) Term: **14 Years**

(21) Appl. No.: **29/476,841**

(22) Filed: **Dec. 17, 2013**

(51) **LOC (10) Cl.** **27-01**

(52) **U.S. Cl.**

USPC **D27/101**; D27/163

(58) **Field of Classification Search**

CPC A24F 1/02; A24F 1/04; A24F 1/06;
A24F 1/08; A24F 1/10; A24F 1/12; A24F
1/14; A24F 1/22; A24F 9/16; A24F
47/002-47/008; A24F 1/30; A24F 47/00
USPC D27/100-101, 106, 143, 152, 161-172,
D27/183-184, 187, 189, 190, 193-194;
131/220-222, 226, 173, 174, 194,
131/328-330, 270, 273; D7/584, 585;
D9/500, 502; D11/143, 144, 146, 152;
D24/110.5, 110

See application file for complete search history.

(56) **References Cited**

U.S. PATENT DOCUMENTS

251,340	A	*	12/1881	Ginter	131/364
D404,517	S	*	1/1999	Dal Monte	D27/101
D405,221	S	*	2/1999	Dal Monte	D27/101
D532,927	S	*	11/2006	Sann	D27/101
D590,990	S		4/2009	Hon		
D590,991	S		4/2009	Hon		
D614,346	S	*	4/2010	Lik	D27/101

D644,375	S		8/2011	Zhou		
D653,803	S		2/2012	Timmermans		
D675,777	S	*	2/2013	Wu	D27/101
8,375,957	B2		2/2013	Hon		
D685,522	S		7/2013	Potter et al.		
D687,181	S		7/2013	Goch		
D691,324	S		10/2013	Saliman		
2010/0031968	A1		2/2010	Sheikh et al.		
2012/0260926	A1		10/2012	Tu et al.		
2013/0068239	A1		3/2013	Youn		

* cited by examiner

Primary Examiner — Susan Bennett Hattan

Assistant Examiner — Janice Hallmark

(74) *Attorney, Agent, or Firm* — Robert J. Lauson, Esq.;
Lauson & Tarver LLP

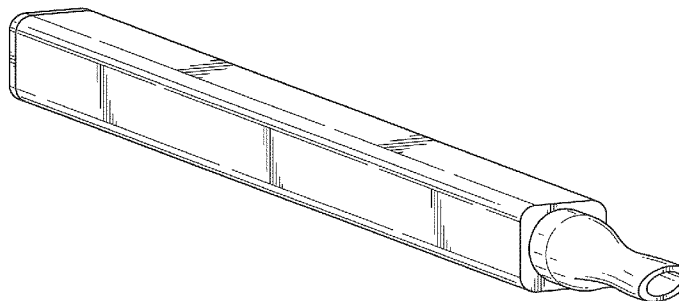
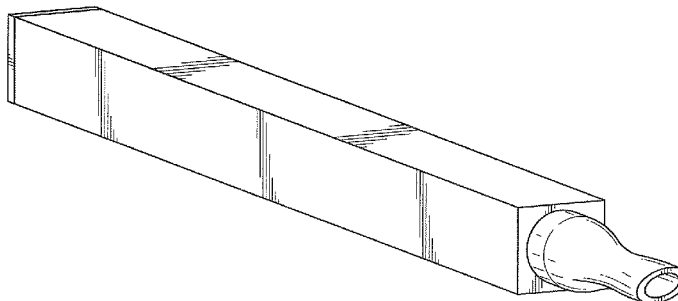
(57) **CLAIM**

The ornamental design for an electronic smoking device, as shown and described.

DESCRIPTION

FIG. 1 is a perspective view of a first embodiment of an electronic smoking device showing my new design; FIG. 2 is a front view thereof; FIG. 3 is a rear view thereof; FIG. 4 is a left side view thereof; FIG. 5 is a top plan view thereof; FIG. 6 is a perspective view of a second embodiment of an electronic smoking device showing my new design; FIG. 7 is a front view thereof; FIG. 8 is a rear view thereof; FIG. 9 is a left side view thereof; and, FIG. 10 is a top view thereof.

1 Claim, 2 Drawing Sheets



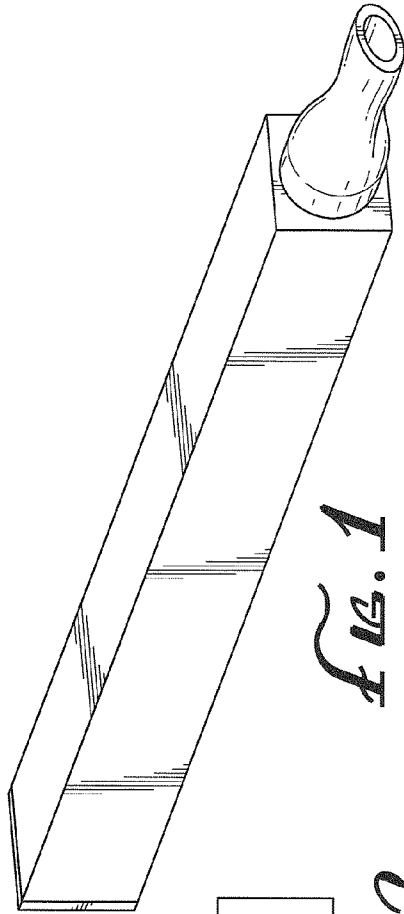


FIG. 1



FIG. 3

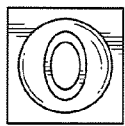


FIG. 2



FIG. 4

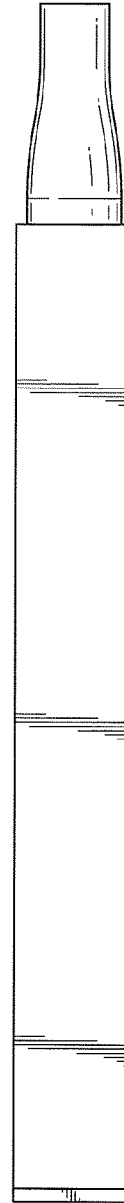


FIG. 5

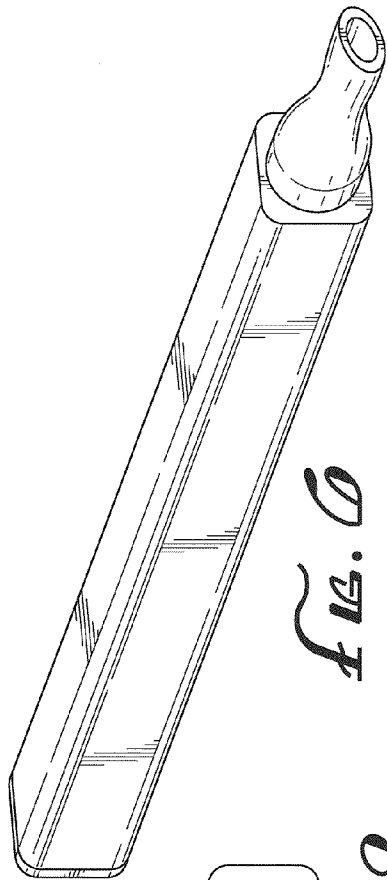


Fig. 6

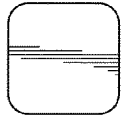


Fig. 7



Fig. 8

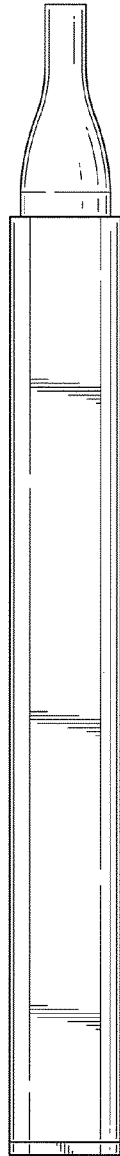


Fig. 9

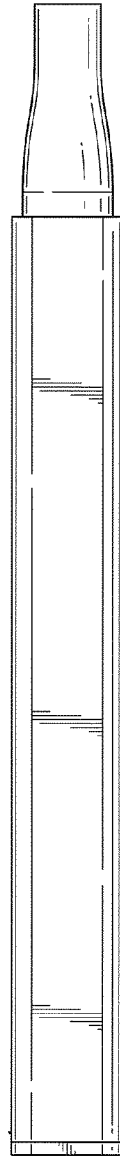


Fig. 10