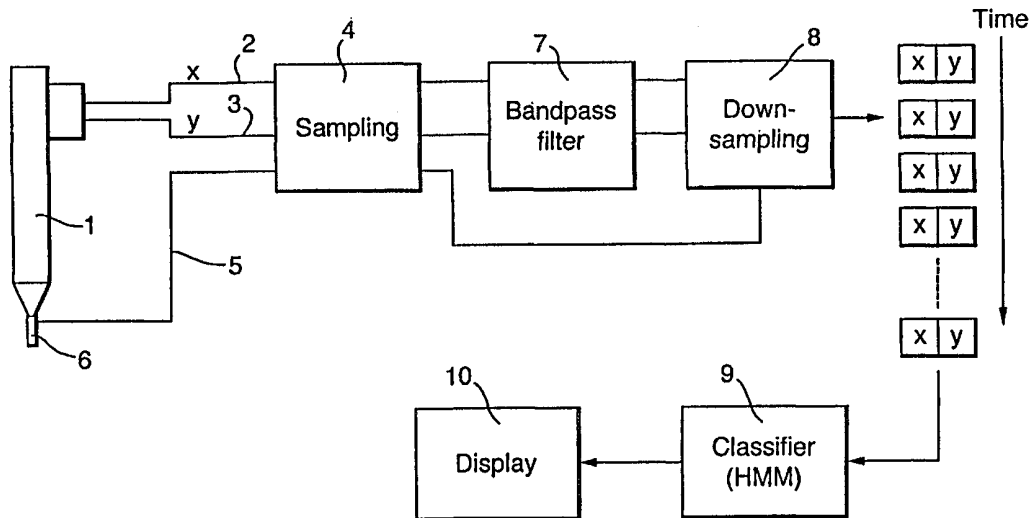




INTERNATIONAL APPLICATION PUBLISHED UNDER THE PATENT COOPERATION TREATY (PCT)

<p>(51) International Patent Classification ⁷ : G06K 9/22</p>	<p>A1</p>	<p>(11) International Publication Number: WO 00/57349 (43) International Publication Date: 28 September 2000 (28.09.00)</p>
<p>(21) International Application Number: PCT/GB00/01052 (22) International Filing Date: 21 March 2000 (21.03.00) (30) Priority Data: 99302270.6 24 March 1999 (24.03.99) EP (71) Applicant (for all designated States except US): BRITISH TELECOMMUNICATIONS PUBLIC LIMITED COMPANY [GB/GB]; 81 Newgate Street, London EC1A 7AJ (GB). (72) Inventor; and (75) Inventor/Applicant (for US only): MILNER, Benjamin, Peter [GB/GB]; 16 Armstrong Road, Thorpe St. Andrew, Norwich, Norfolk NR7 9LJ (GB). (74) Agent: BRADLEY, David, William; BT Group Legal Services, Intellectual Property Dept., 8th floor, Holborn Centre, 120 Holborn, London EC1N 2TE (GB).</p>		<p>(81) Designated States: AE, AG, AL, AM, AT, AU, AZ, BA, BB, BG, BR, BY, CA, CH, CN, CR, CU, CZ, DE, DK, DM, DZ, EE, ES, FI, GB, GD, GE, GH, GM, HR, HU, ID, IL, IN, IS, JP, KE, KG, KP, KR, KZ, LC, LK, LR, LS, LT, LU, LV, MA, MD, MG, MK, MN, MW, MX, NO, NZ, PL, PT, RO, RU, SD, SE, SG, SI, SK, SL, TJ, TM, TR, TT, TZ, UA, UG, US, UZ, VN, YU, ZA, ZW, ARIPO patent (GH, GM, KE, LS, MW, SD, SL, SZ, TZ, UG, ZW), Eurasian patent (AM, AZ, BY, KG, KZ, MD, RU, TJ, TM), European patent (AT, BE, CH, CY, DE, DK, ES, FI, FR, GB, GR, IE, IT, LU, MC, NL, PT, SE), OAPI patent (BF, BJ, CF, CG, CI, CM, GA, GN, GW, ML, MR, NE, SN, TD, TG). Published <i>With international search report.</i></p>

(54) Title: HANDWRITING RECOGNITION SYSTEM



(57) Abstract

In order to improve the accuracy of recognition of hand-written input using a stylus (1), output signals from a plurality of accelerometers representing x and y axis acceleration and deceleration are sampled at a predetermined rate and passed through a digital bandpass filter (7) to remove high frequency components and dc components arising from gravity. x and y vectors derived from the original x and y input signals are passed to a classifier using a hidden Markov model. Bandpass filtering improves the robustness of the interpretation of the vectors against stored templates which may be templates of individual characterisations or of whole words.

FOR THE PURPOSES OF INFORMATION ONLY

Codes used to identify States party to the PCT on the front pages of pamphlets publishing international applications under the PCT.

AL	Albania	ES	Spain	LS	Lesotho	SI	Slovenia
AM	Armenia	FI	Finland	LT	Lithuania	SK	Slovakia
AT	Austria	FR	France	LU	Luxembourg	SN	Senegal
AU	Australia	GA	Gabon	LV	Latvia	SZ	Swaziland
AZ	Azerbaijan	GB	United Kingdom	MC	Monaco	TD	Chad
BA	Bosnia and Herzegovina	GE	Georgia	MD	Republic of Moldova	TG	Togo
BB	Barbados	GH	Ghana	MG	Madagascar	TJ	Tajikistan
BE	Belgium	GN	Guinea	MK	The former Yugoslav Republic of Macedonia	TM	Turkmenistan
BF	Burkina Faso	GR	Greece	ML	Mali	TR	Turkey
BG	Bulgaria	HU	Hungary	MN	Mongolia	TT	Trinidad and Tobago
BJ	Benin	IE	Ireland	MR	Mauritania	UA	Ukraine
BR	Brazil	IL	Israel	MW	Malawi	UG	Uganda
BY	Belarus	IS	Iceland	MX	Mexico	US	United States of America
CA	Canada	IT	Italy	NE	Niger	UZ	Uzbekistan
CF	Central African Republic	JP	Japan	NL	Netherlands	VN	Viet Nam
CG	Congo	KE	Kenya	NO	Norway	YU	Yugoslavia
CH	Switzerland	KG	Kyrgyzstan	NZ	New Zealand	ZW	Zimbabwe
CI	Côte d'Ivoire	KP	Democratic People's Republic of Korea	PL	Poland		
CM	Cameroon	KR	Republic of Korea	PT	Portugal		
CN	China	KZ	Kazakstan	RO	Romania		
CU	Cuba	LC	Saint Lucia	RU	Russian Federation		
CZ	Czech Republic	LI	Liechtenstein	SD	Sudan		
DE	Germany	LK	Sri Lanka	SE	Sweden		
DK	Denmark	LR	Liberia	SG	Singapore		
EE	Estonia						

HANDWRITING RECOGNITION SYSTEM

The present invention relates to a handwriting recognition system and more particularly to a hardware and an algorithm for implementing such a system.

5 In PCT application number GB98/0316 (Publication No. WO99/22338) there is disclosed a portable computer in the form of a pen-type casing. Incorporated within the casing is at least one accelerometer which is used to detect movement of the pen with respect to its environment. By using the instrument for handwriting it is possible to effect data entry or transmission of signals reflecting movement, the user
10 using either a pen tip mounted switch or a finger operated switch to indicate that movement is effecting a written input.

There are many other pen-type input devices on the market in addition to stylus scroll pallets typically used in so-called palm top computers where handwriting recognition has been used. Such devices often require very precise movement which
15 may not reflect natural handwriting movements for the user. One of the problems which makes characteristic handwriting recognition difficult is that while the underlying movement made by an individual to represent a particular letter may be consistent an element reflecting user movements due to stress and other factors will be present.

20 According to the present invention there is provided a handwriting recognition system comprising means responsive to input analogue signals representative of movement of a handheld writing device, sampling means to provide signals representative of the acceleration of the writing device in at least x axis and y axis channels at a predetermined capture sampling rate, and filtering means to
25 remove dc level components and to provide smoothing of the output whereby signals representative of movement of the pen over a period are supplied to a classifier for comparison with a template representative of characters formed.

The classifier may use hidden Markov modelling (HMM) techniques using a large number of states to determine the character defined by movement. The system
30 may include an input indicative of a user's intention that the movement is representative of character writing.

According to a feature of the present there is provided a method of analysing signals from a moving handheld device, the method comprising sampling signals at a

predetermined rate, passing signals through a bandpass filter to remove dc level and excess acceleration components, sampling the filtered output to provide a series of vectors representing the position of the handheld device at periodic intervals and using a classifier to compare the sample sets with predetermined templates to
5 determine the character for output.

A handwriting recognition system in accordance with the invention will now be described by way of example only with reference to the accompanying drawing of which:

Figure 1 is a block schematic diagram of the system;

10 Figure 2 shows relative positioning of the x and y axis of the handwriting device of Figure 1;

Figure 3 is a schematic diagram of the handheld writing device of Figure 1 in a particular position;

15 Figure 4 shows relative input and output vector streams from the system of Figure 1; and

Figures 5 to 9 show comparative templates for a number of different letters.

Referring first to Figure 1, an input device 1 such as a stylus produces x and y vector streams 2 and 3 which are fed into a sampling unit 4. The outputs x and y are generally from accelerometers or other position sensing devices within the stylus
20 1. Also feeding the sampling unit 4 is an output 5 from a switch indicated here as being in the nib section of the stylus 1 such that contact between the switch 6 and a surface is indicative of the stylus being used in a writing mode. It will be appreciated that the nib switch 6 when incorporated in a non-surface contacting stylus, such as that disclosed in the previously referred PCT application, may be replaced by a user
25 operable switch.

The output of the sampling unit 4, which samples the incoming streams at 60 Hz for example, is passed to a bandpass filter arrangement 7 and thence to a down sampling unit 8 which produces digitised vectors x and y over a period of time. The x and y vectors are passed to a classifier 9, which uses a hidden Markov model
30 to carry out a comparison between the vectors and templates representing written characters. The classifier 9 may be arranged to output to a visual display 10.

More specifically, the stylus 1 for example comprises a simple plastic casing containing the electronics for transferring information to a PC. Two accelerometers

mounted in the stylus, for example, are used to produce the x and y outputs. The nib switch is a simple on/off switch connected to determine when pressure is being applied to the pen nib and can therefore detect when a pen for stylus 1 is writing.

Turning briefly to Figure 2, the two accelerometers mounted in the top of the pen measure acceleration across their plane such that effectively they measure acceleration along the x axis 11 and the y axis 12 of the writing surface 14. The acceleration measured by the sensors is made up of two components, acceleration due to gravity and the acceleration as a result of stylus movement. It will be appreciated that the acceleration due to gravity is always present, such that when the pen is exactly horizontal both sensors would measure acceleration of 1g. As the angle of the pen to the horizontal changes (as shown for example in Figure 3), the accelerometers are subject to $\sin \theta \times 1g$ where θ is the inclination angle of the stylus 1.

The other component, acceleration as a result of the pen moving is produced by the acceleration and deceleration effect as the user writes.

The acceleration of the two sensors x_{total} and y_{total} can be expressed as

$$y_{total} = y_g + y_{movement} \text{ and } x_{total} = x_g + x_{movement}$$

The remaining items of Figure 1 are incorporated in a computer unit, for example a PC, and three signals, as previously indicated, 2, 3 and 5 being the two acceleration signals and binary signal from the pen switch are provided to the PC.

In one embodiment the two acceleration signals are read into a normal PC using an RS232 port and the binary switch signal by means of the games port of a sound card.

The sampling section must sample sufficiently regularly to capture the movement of the pen but should not over-sample, which would result in a waste of processing and storage within the PC. It has been found satisfactory for the purposes of the current invention to sample at a rate of 60 Hz. The acceleration signals for each channel are read in as two byte words giving a dynamic range for each acceleration signal from 0 to 65535. The pen nib switch is similarly sampled at the same rate.

As previously mentioned, the accelerometer signals are partly dependent on a component of the earth's gravitation field passing through the accelerometer of the stylus 1. This results in an almost constant dc level present on the output corresponding to the average pen angle θ while writing. The bandpass filter 7 is thus
5 arranged to filter the signals from the two accelerometers to remove the offsets. Additionally, the bandpass filter smoothes the output from the sensors thus correcting for instability introduced by the user so that the smoothed output from the sensors increases robustness and facilitates matching between the x and y vectors and stored templates.

10 Turning now to Figure 4, for each sample received on the PC from the accelerometers, the pen nib switch (or manually operable switch) indicates whether the stylus 1 was being used in a writing mode or not. The down sampling process 8 uses the information to down sample acceleration samples and to retain only those when it was known that the stylus 1 was writing. Thus, consider Figure 4, assuming
15 that the x axis and y axis vectors are as shown at 15 and 16, then the down sampling vectors need only be taken into account when the nib switch signal indicator 17 is high. This will reduce the number of samples significantly so that the output from the down sampling process is a time series of two dimensional vectors x and y as indicated at 18 and 19.

20 Having completed processing of the acceleration measurement from the stylus 1 the vector stream is passed to the classifier stage 9 which takes in a series of vectors representing the acceleration measurements made within a given word. These are then compared to a set of templates which cover the range of words within the system vocabulary and the word which matches most closely with the unknown
25 input word is deemed the recognised word. In this system the classifier is a hidden Markov model. Such models have been widely used in speech recognition and using a large number of states in the hidden Markov model will give the best performance for corresponding handwriting recognition.

The display 10, which displays the output from the PC allows display of a
30 word, for example, on a screen.

While the above handwriting recognition system is intended for use with a series of known words which, depending on the system vocabulary entered into the PC, may be a large number, it will be possible to use the same kind of system to

validate single character entry. Using single character recognition and using cursive entry it is still possible to build individual words which may not be present in the vocabulary. There may be a lower level of confidence in words created rather than template determined. However, over time, the vocabulary may be expanded where
5 multiple entries of the same word have occurred such that higher confidence levels may be achieved.

A typical single accelerometer output can be seen respectively for the letters c, b, f and h in Figures 5 to 8. In each case the template developed here shows three entries on a single accelerometer for each of the letters.

10 In Figure 9, f, b, h and c are shown in comparison so that a suitable template for comparison may be derived. It will be appreciated that the combination of an x accelerometer trace and a y accelerometer trace will serve further to emphasise the difference between each input letter.

Bandpass filtering in digital form to remove dc components and high
15 frequency components increases the reliability of the recognition process and therefore the reliability of the interpretation of the stylus input 1. It will be appreciated that where the stylus 1 carries other components, for example an internal processing arrangement, some of the functions may be transferred from the PC to the stylus 1. All of the components of sampling, bandpass filtering, down sampling and
20 classifying can be implemented in a suitable computer program.

CLAIMS

1. A handwriting recognition system comprising:
means responsive to input analogue signals representative of movement of a
5 handheld writing device;
sampling means to provide signals representative of the acceleration of the
writing device in at least x axis and y axis channels at a predetermined capture
sampling rate; and
filtering means to remove dc level components and to provide smoothing of
10 the output whereby signals representative of movement of the pen over a period are
supplied to a classifier for comparison with a template representative of characters
formed.
2. A handwriting recognition system as claimed in claim 1, in which the
15 classifier uses a hidden Markov model for comparison purposes.
3. A handwriting recognition system as claimed in claim 1 or claim 2, in which
the sampling means, filtering means and classifier are implemented in a digital
computer environment.
20
4. A method of analysing signals from a moving handheld device, the method
comprising sampling signals at a predetermined rate, passing signals through a
bandpass filter to remove dc level and excess acceleration components, sampling the
filtered output to provide a series of vectors representing the position of the handheld
25 device at periodic intervals and using a classifier to compare the sample sets with
predetermined templates to determine the character for output.

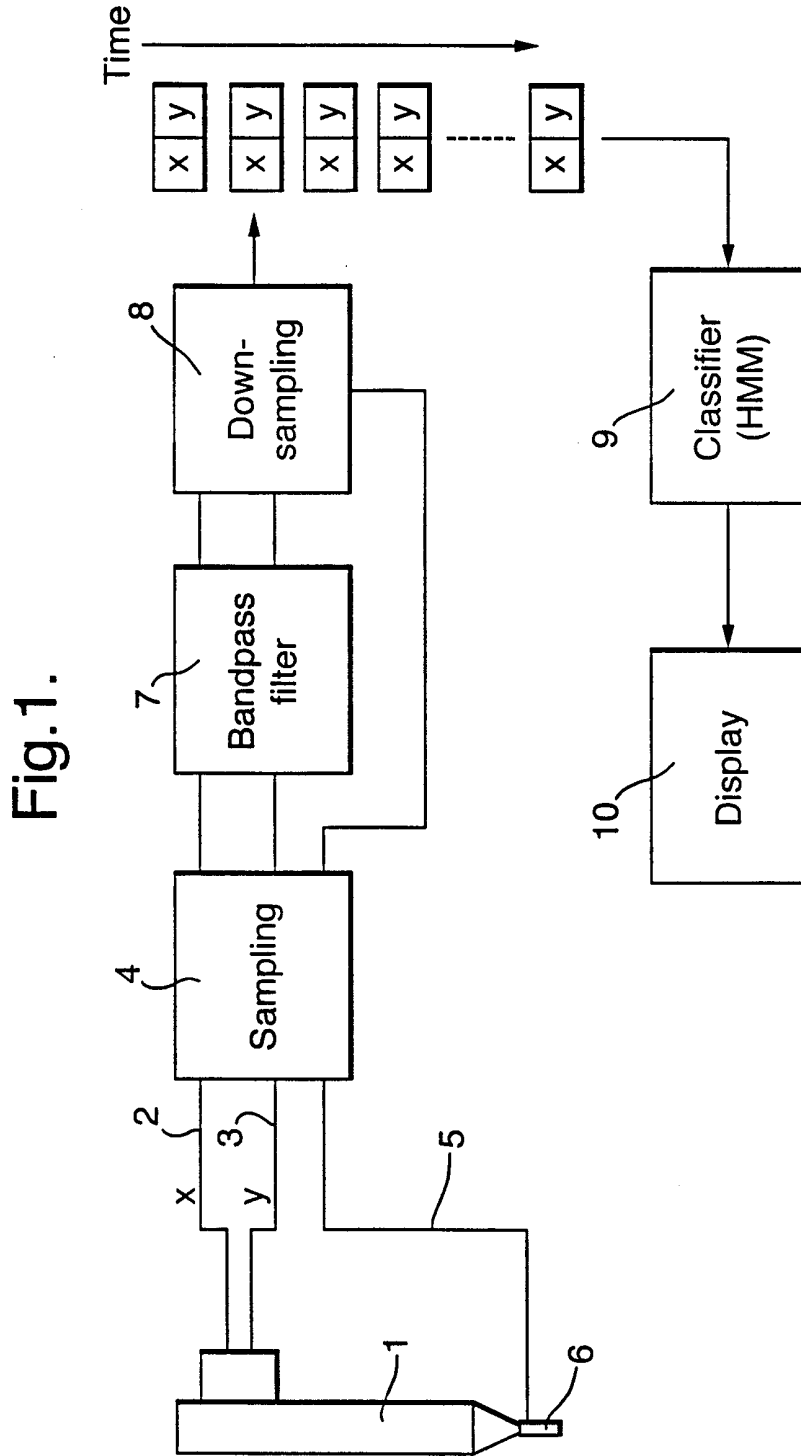


Fig.2.

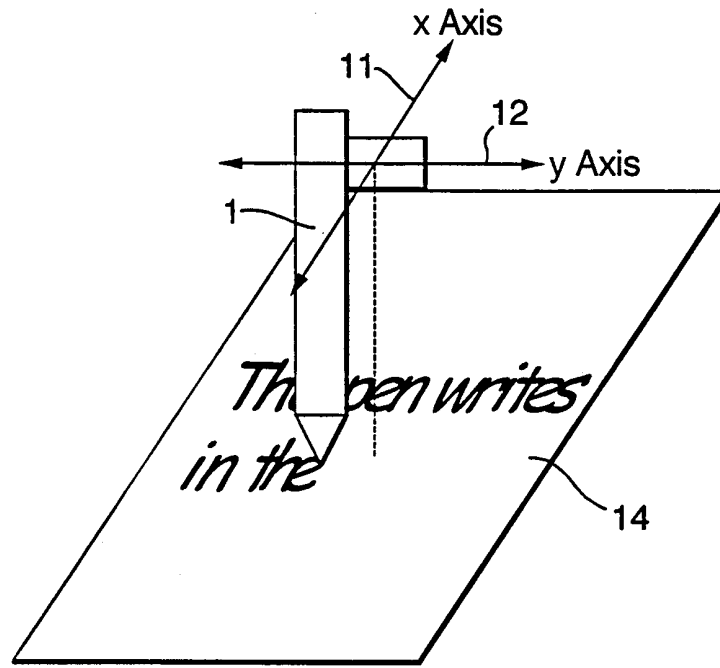


Fig.3.

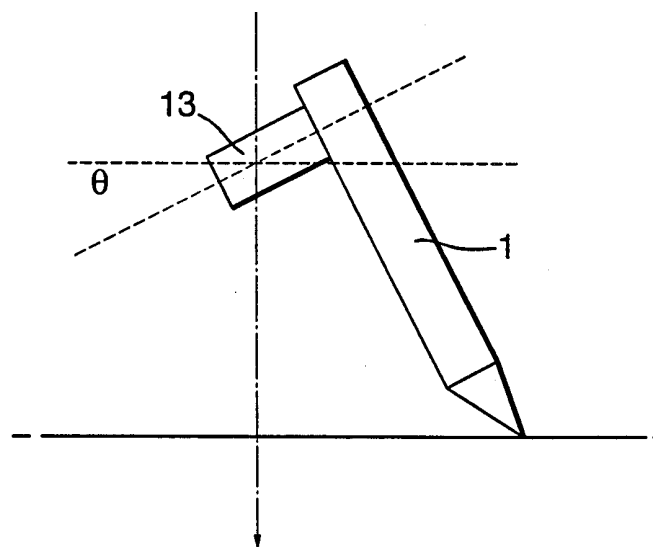


Fig.4.

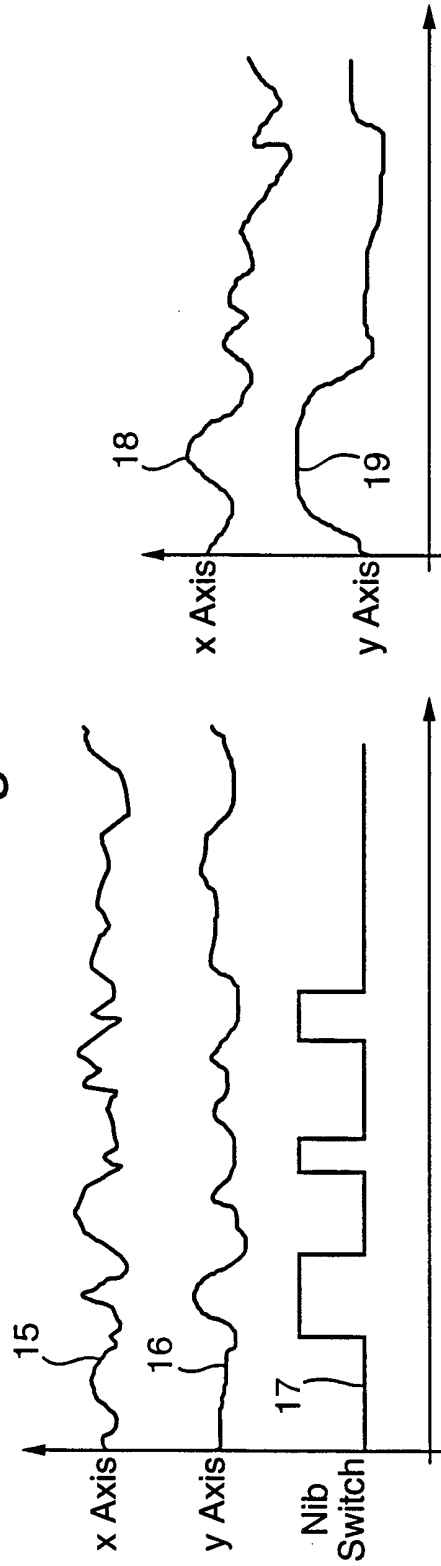


Fig.6.

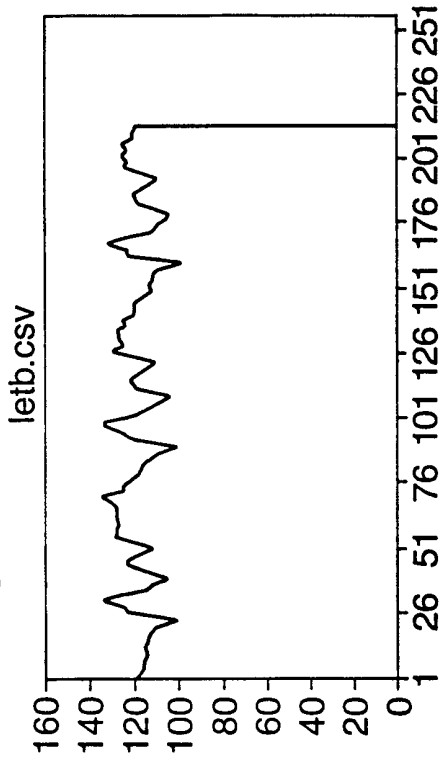


Fig.8.

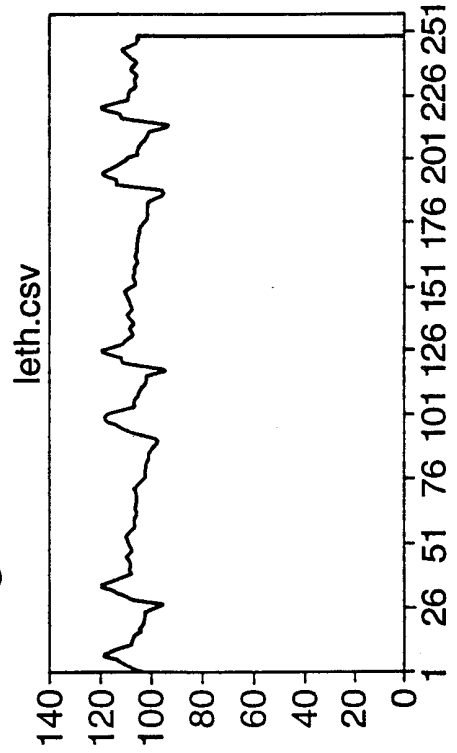


Fig.5.

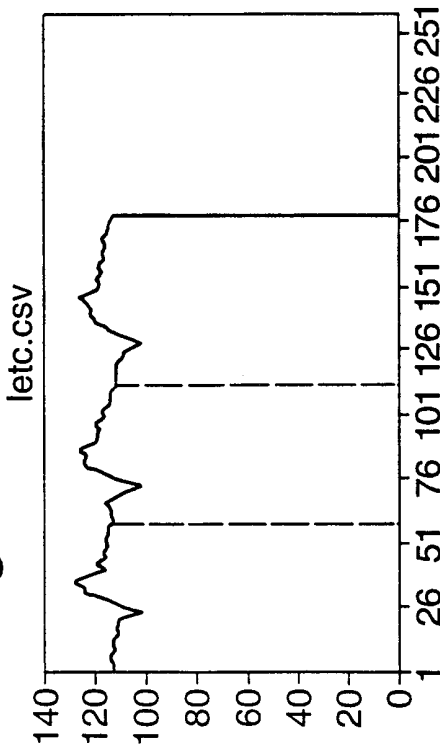


Fig.7.

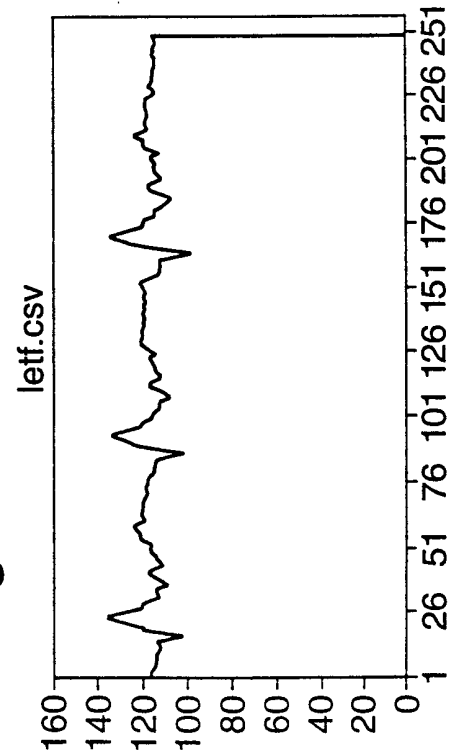
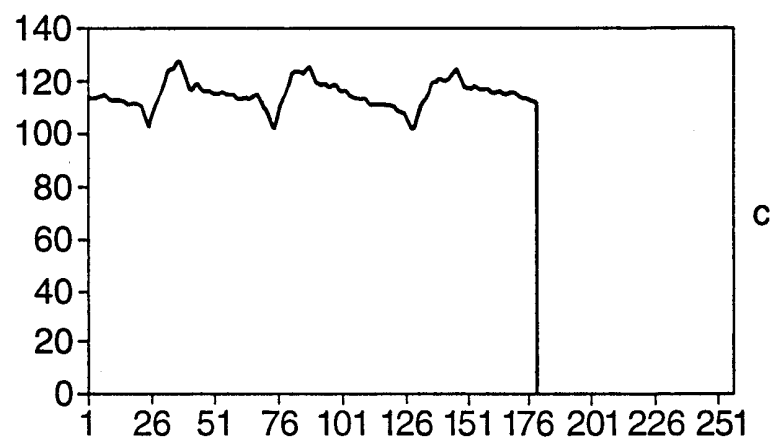
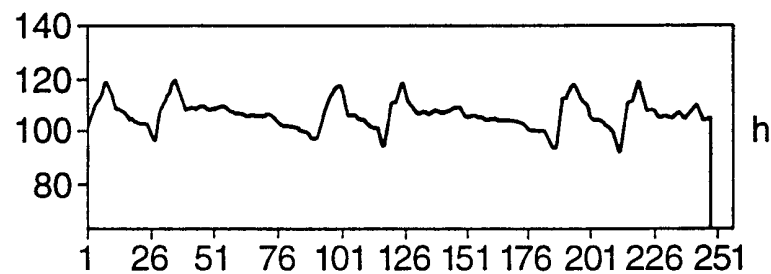
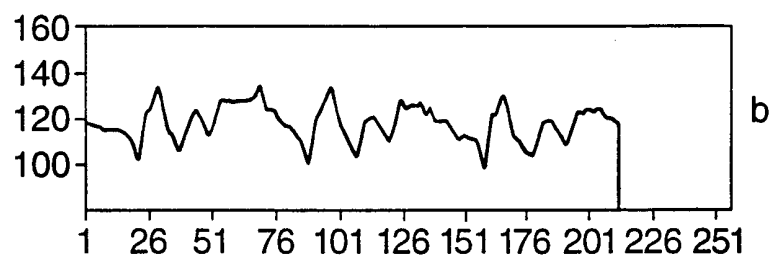
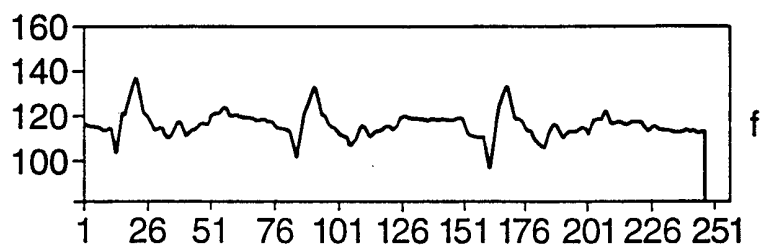


Fig.9.



INTERNATIONAL SEARCH REPORT

Inter. Patent Application No

PCT/GB 00/01052

A. CLASSIFICATION OF SUBJECT MATTER

IPC 7 G06K9/22

According to International Patent Classification (IPC) or to both national classification and IPC

B. FIELDS SEARCHED

Minimum documentation searched (classification system followed by classification symbols)

IPC 7 G06K

Documentation searched other than minimum documentation to the extent that such documents are included in the fields searched

Electronic data base consulted during the international search (name of data base and, where practical, search terms used)

EPO-Internal, PAJ, INSPEC

C. DOCUMENTS CONSIDERED TO BE RELEVANT

Category °	Citation of document, with indication, where appropriate, of the relevant passages	Relevant to claim No.
Y	WO 97 16799 A (GENOSSAR OMRY ;BARON EHUD (IL); BARON TECH LTD (IL)) 9 May 1997 (1997-05-09) abstract; figure 8 * page 15, last paragraph * * page 22, paragraph "STEP 330" *	1-4
Y	US 4 736 445 A (GUNDERSEN STEVEN C) 5 April 1988 (1988-04-05) column 41, line 60 -column 5, line 22	1-4
Y	WO 97 44758 A (INST OF SYSTEMS SCIENCE ;APPLE COMPUTER (US)) 27 November 1997 (1997-11-27) abstract	2

Further documents are listed in the continuation of box C.

Patent family members are listed in annex.

° Special categories of cited documents :

- "A" document defining the general state of the art which is not considered to be of particular relevance
- "E" earlier document but published on or after the international filing date
- "L" document which may throw doubts on priority claim(s) or which is cited to establish the publication date of another citation or other special reason (as specified)
- "O" document referring to an oral disclosure, use, exhibition or other means
- "P" document published prior to the international filing date but later than the priority date claimed

- "T" later document published after the international filing date or priority date and not in conflict with the application but cited to understand the principle or theory underlying the invention
- "X" document of particular relevance; the claimed invention cannot be considered novel or cannot be considered to involve an inventive step when the document is taken alone
- "Y" document of particular relevance; the claimed invention cannot be considered to involve an inventive step when the document is combined with one or more other such documents, such combination being obvious to a person skilled in the art.
- "&" document member of the same patent family

Date of the actual completion of the international search

28 June 2000

Date of mailing of the international search report

05/07/2000

Name and mailing address of the ISA

European Patent Office, P.B. 5818 Patentlaan 2
NL - 2280 HV Rijswijk
Tel. (+31-70) 340-2040, Tx. 31 651 epo nl,
Fax: (+31-70) 340-3016

Authorized officer

Sonius, M

INTERNATIONAL SEARCH REPORT

information on patent family members

Inter. n. Application No

PCT/GB 00/01052

Patent document cited in search report	Publication date	Patent family member(s)	Publication date
WO 9716799 A	09-05-1997	AU 7330596 A	22-05-1997
US 4736445 A	05-04-1988	JP 62172478 A	29-07-1987
WO 9744758 A	27-11-1997	AU 3211897 A	09-12-1997
		CA 2252370 A	27-11-1997