



US00D656129S

(12) **United States Design Patent**  
**Kelly et al.**

(10) **Patent No.:** **US D656,129 S**  
(45) **Date of Patent:** **\*\* Mar. 20, 2012**

(54) **PAIR OF AUDIO EAR BUD HEADPHONES WITH EXTENDED CURVATURE AND ANGLED INSERT**

(75) Inventors: **Peter M. Kelly**, Park City, UT (US);  
**Richard P. Alden**, Park City, UT (US)

(73) Assignee: **Skullcandy, Inc.**, Park City, UT (US)

(\*\*) Term: **14 Years**

(21) Appl. No.: **29/393,446**

(22) Filed: **Jun. 3, 2011**

**Related U.S. Application Data**

(63) Continuation of application No. 12/860,648, filed on Aug. 20, 2010, which is a continuation-in-part of application No. 29/353,313, filed on Jan. 6, 2010, now Pat. No. Des. 624,057.

(51) **LOC (9) Cl.** ..... **14-01**

(52) **U.S. Cl.** ..... **D14/223**

(58) **Field of Classification Search** ..... D14/205, D14/206, 223, 192; 181/129, 130, 135; 379/430, 379/431, 433.01, 420.04; 381/370, 380, 381/381; 455/90.3, 575.1; D24/174  
See application file for complete search history.

(56) **References Cited**

**U.S. PATENT DOCUMENTS**

|           |    |   |         |                  |       |            |
|-----------|----|---|---------|------------------|-------|------------|
| D237,090  | S  | * | 10/1975 | Yanagawa         | ..... | D14/205    |
| 4,736,435 | A  | * | 4/1988  | Yokoyama et al.  | ..... | 381/380    |
| 4,965,838 | A  | * | 10/1990 | Kamon et al.     | ..... | 381/380    |
| D331,061  | S  | * | 11/1992 | Hyohgo           | ..... | D14/223    |
| 5,222,151 | A  | * | 6/1993  | Nagayoshi et al. | ..... | 381/380    |
| D337,589  | S  | * | 7/1993  | Wada             | ..... | D14/223    |
| D340,932  | S  | * | 11/1993 | Yan              | ..... | D14/249    |
| 5,420,935 | A  | * | 5/1995  | Shinohara et al. | ..... | 381/370    |
| 5,809,933 | A  | * | 9/1998  | Conwell, III     | ..... | 119/28.5   |
| 6,122,369 | A  | * | 9/2000  | Hwang et al.     | ..... | 379/420.04 |
| D449,295  | S  | * | 10/2001 | Smith et al.     | ..... | D14/223    |
| D470,122  | S  | * | 2/2003  | Hlas et al.      | ..... | D14/205    |
| D471,537  | S  | * | 3/2003  | Ham              | ..... | D14/223    |
| 6,704,429 | B2 | * | 3/2004  | Lin              | ..... | 381/380    |
| D504,883  | S  | * | 5/2005  | Jacobson et al.  | ..... | D14/192    |

|          |   |   |         |                  |       |         |
|----------|---|---|---------|------------------|-------|---------|
| D517,043 | S | * | 3/2006  | Jacobson et al.  | ..... | D14/205 |
| D523,846 | S | * | 6/2006  | Lee              | ..... | D14/205 |
| D533,868 | S | * | 12/2006 | Koizumi          | ..... | D14/223 |
| D554,109 | S | * | 10/2007 | Ledbetter et al. | ..... | D14/223 |
| D556,741 | S | * | 12/2007 | Yeo              | ..... | D14/223 |
| D557,689 | S | * | 12/2007 | Huang            | ..... | D14/223 |

(Continued)

**OTHER PUBLICATIONS**

Yurbuds Sport Headphones [online] [retrieved Jul. 27, 2011]. Retrieved from the Internet URL: <http://www.yurbuds.com>, 10 pages.

*Primary Examiner* — Paula Greene

(74) *Attorney, Agent, or Firm* — Workman Nydegger

(57) **CLAIM**

The ornamental design for a pair of audio ear bud headphones with extended curvature and angled insert, as shown and described.

**DESCRIPTION**

FIG. 1 is a rear perspective view of a pair of left and right audio ear bud headphones with extended curvature and angled insert showing our new design;

FIG. 2 is a left perspective view of the right ear bud;

FIG. 3 is a front view thereof;

FIG. 4 is a rear view thereof;

FIG. 5 is a side view thereof;

FIG. 6 is an opposite side view thereof;

FIG. 7 is a top plan view thereof;

FIG. 8 is a bottom plan view thereof;

FIG. 9 is a rear perspective view of the left audio ear bud thereof, which is a mirror image of the right audio ear bud;

FIG. 10 is a front view thereof;

FIG. 11 is a rear view thereof;

FIG. 12 is a right side view thereof;

FIG. 13 is a left side view thereof;

FIG. 14 is a top plan view thereof; and,

FIG. 15 is a bottom plan view thereof.

The dotted lines represent environmental matter for illustrative purposes only, and form no part of the claimed design.

**1 Claim, 9 Drawing Sheets**



# US D656,129 S

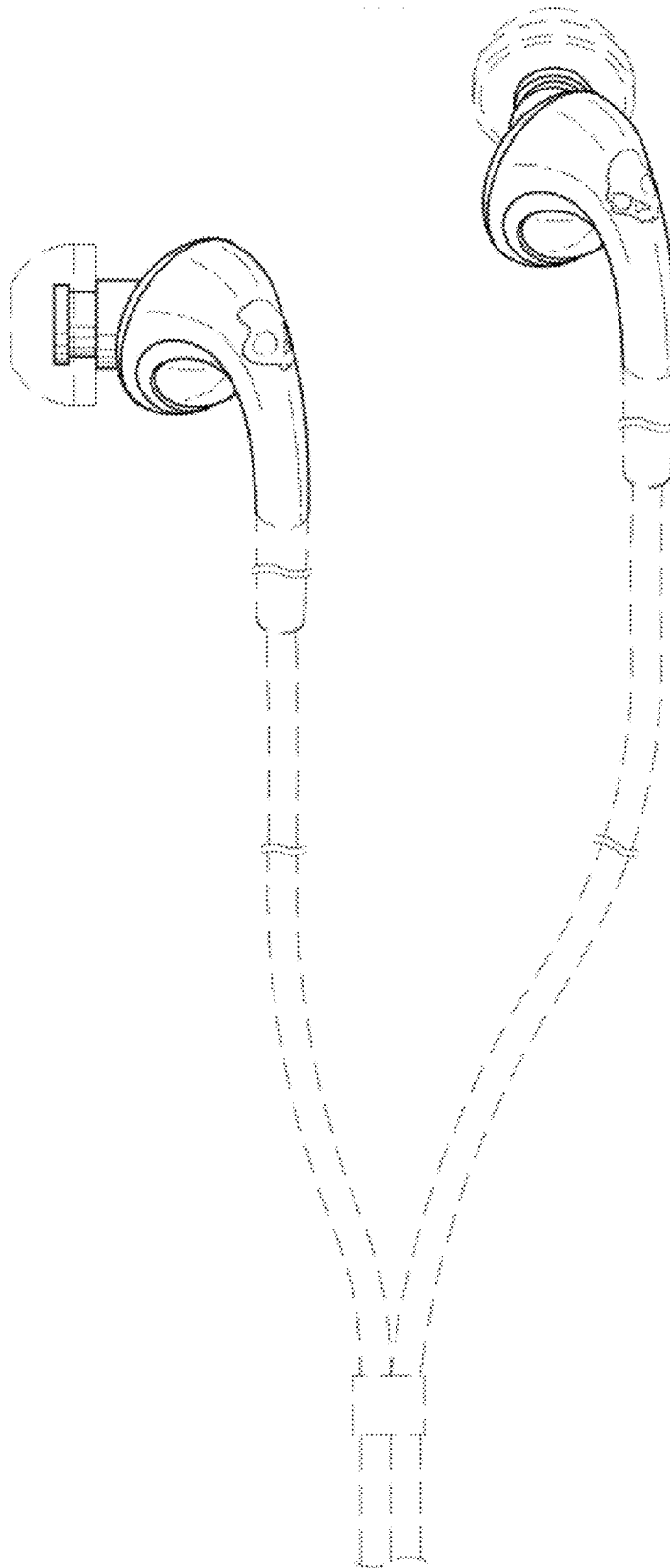
Page 2

---

## U.S. PATENT DOCUMENTS

|              |        |                       |         |              |         |                   |         |
|--------------|--------|-----------------------|---------|--------------|---------|-------------------|---------|
| D568,291 S * | 5/2008 | Andre et al. ....     | D14/205 | D593,537 S * | 6/2009  | Arimoto .....     | D14/205 |
| D572,242 S * | 7/2008 | Yang .....            | D14/223 | D618,218 S   | 6/2010  | Burgett et al.    |         |
| D572,703 S * | 7/2008 | Ledbetter et al. .... | D14/205 | D618,219 S   | 6/2010  | Burgett et al.    |         |
| D572,706 S * | 7/2008 | Schaefer .....        | D14/225 | D624,057 S * | 9/2010  | Kelly et al. .... | D14/223 |
| D573,977 S * | 7/2008 | Ledbetter et al. .... | D14/205 | D627,765 S * | 11/2010 | Zheng .....       | D14/223 |
| D575,269 S * | 8/2008 | Ledbetter et al. .... | D14/205 | D631,034 S * | 1/2011  | Yeo .....         | D14/205 |
| D585,053 S * | 1/2009 | Zeiss et al. ....     | D14/223 | D632,282 S * | 2/2011  | Kitayama .....    | D14/223 |
| D589,933 S * | 4/2009 | Zeiss et al. ....     | D14/205 | D639,279 S * | 6/2011  | Andre et al. .... | D14/223 |
| D591,722 S * | 5/2009 | Densho .....          | D14/205 |              |         |                   |         |

\* cited by examiner



**Fig. 1**

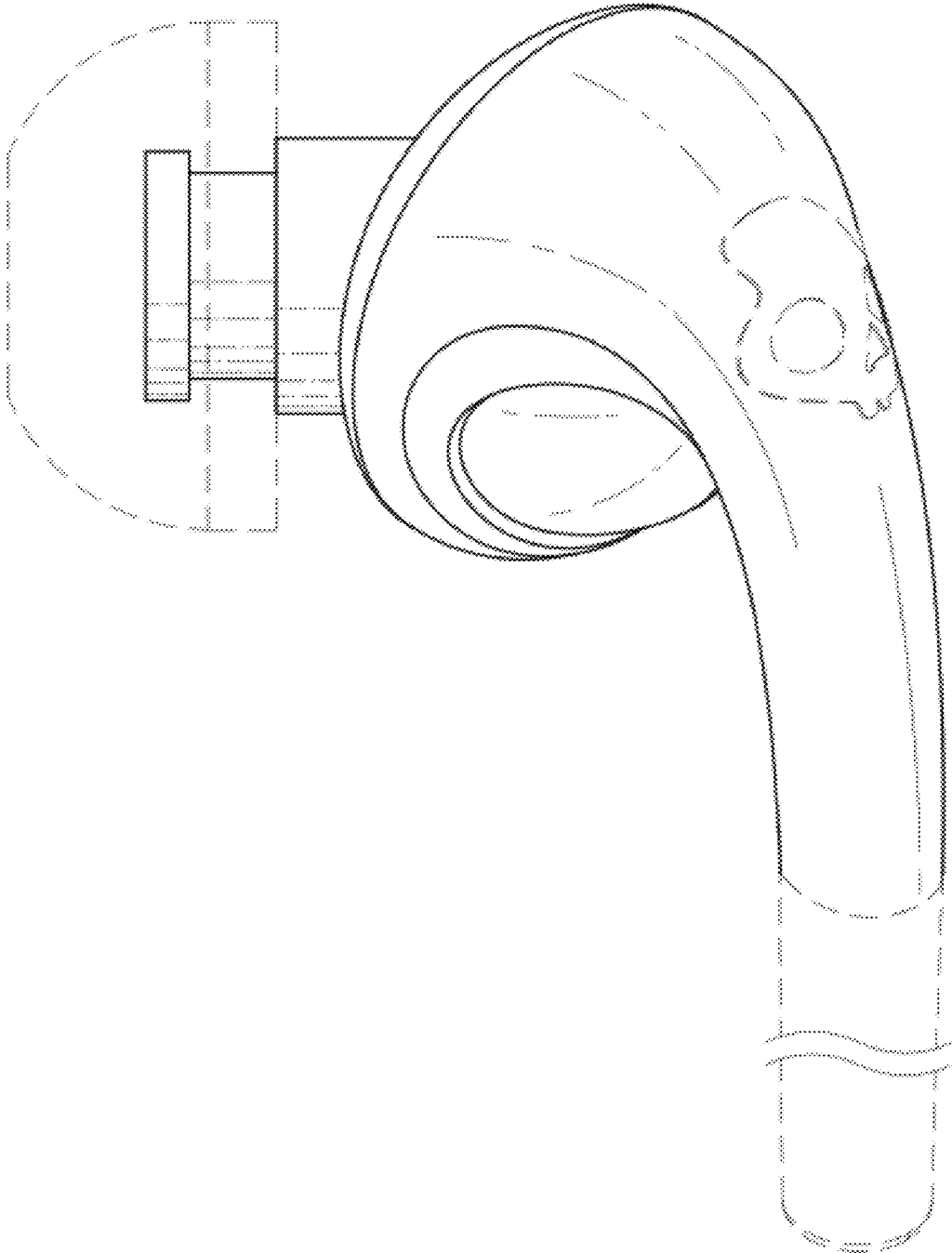


Fig. 2

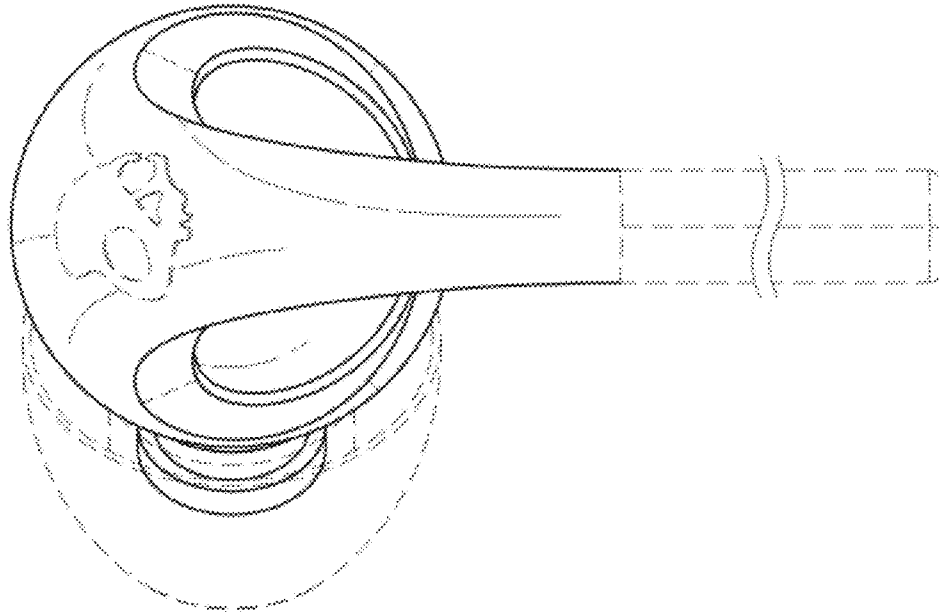


Fig. 4

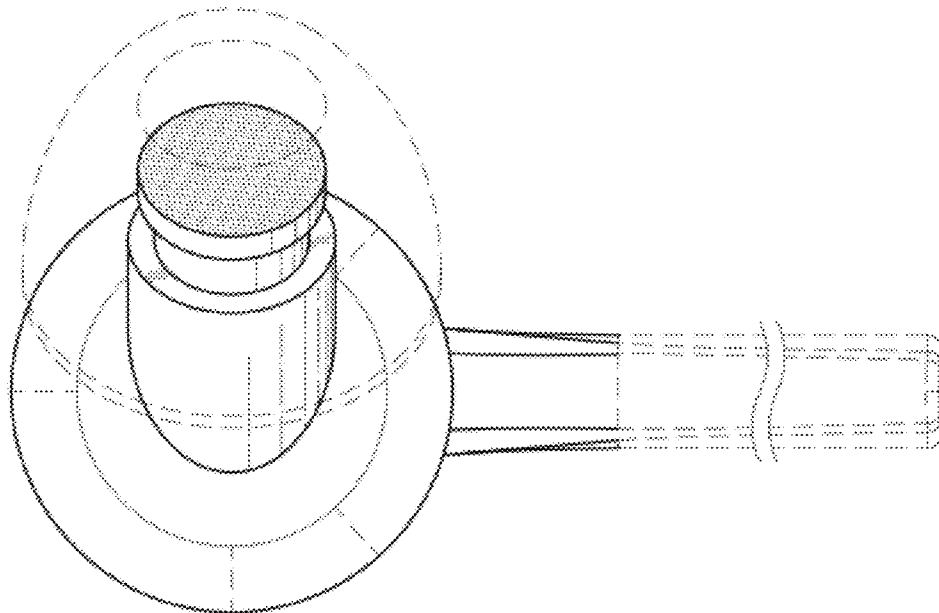


Fig. 3

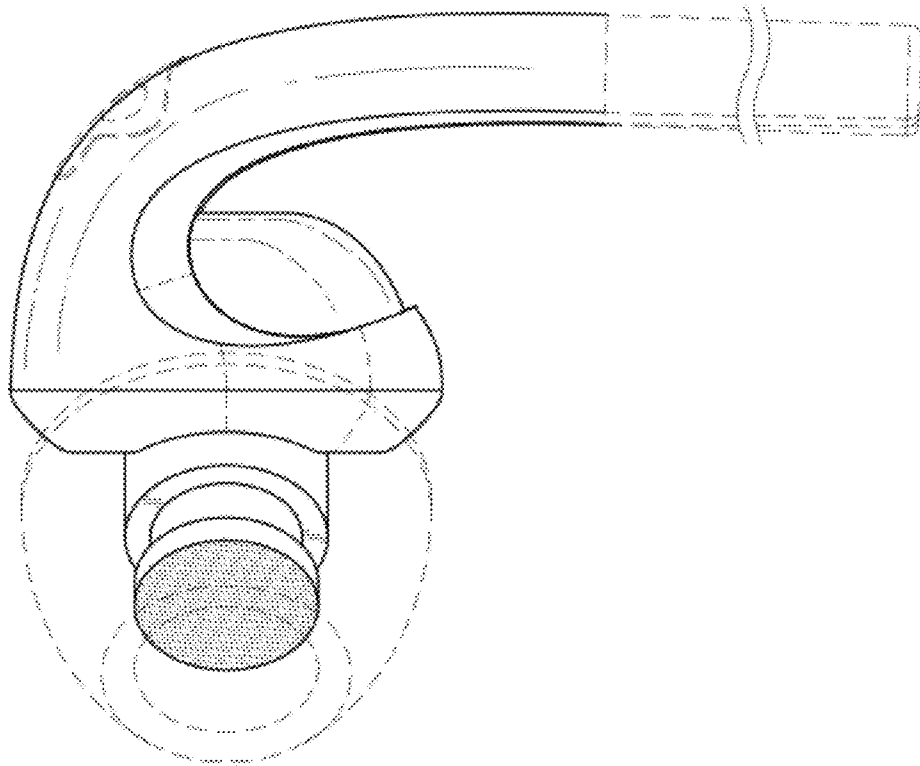


Fig. 6

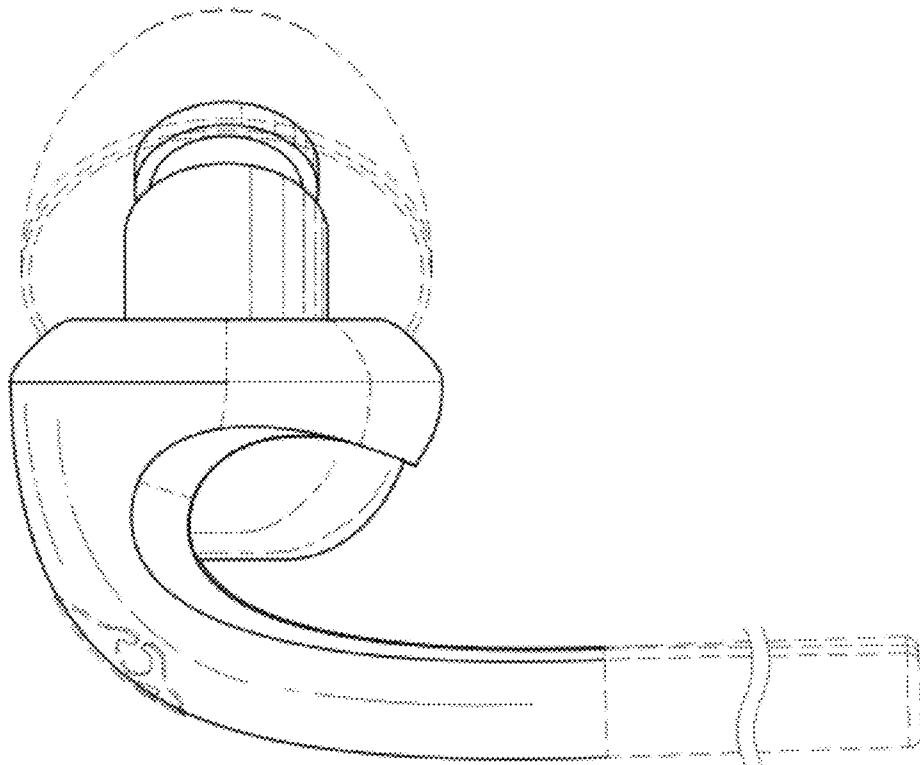


Fig. 5

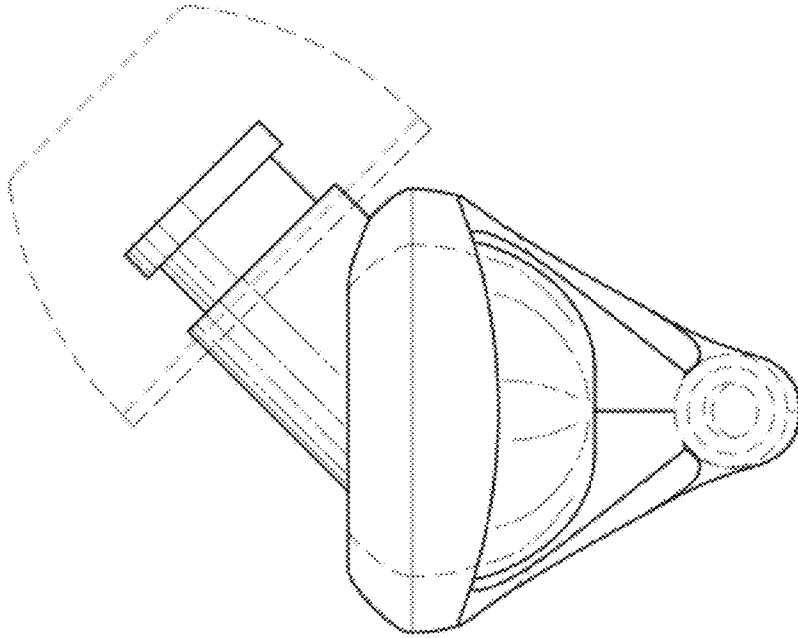


Fig. 8

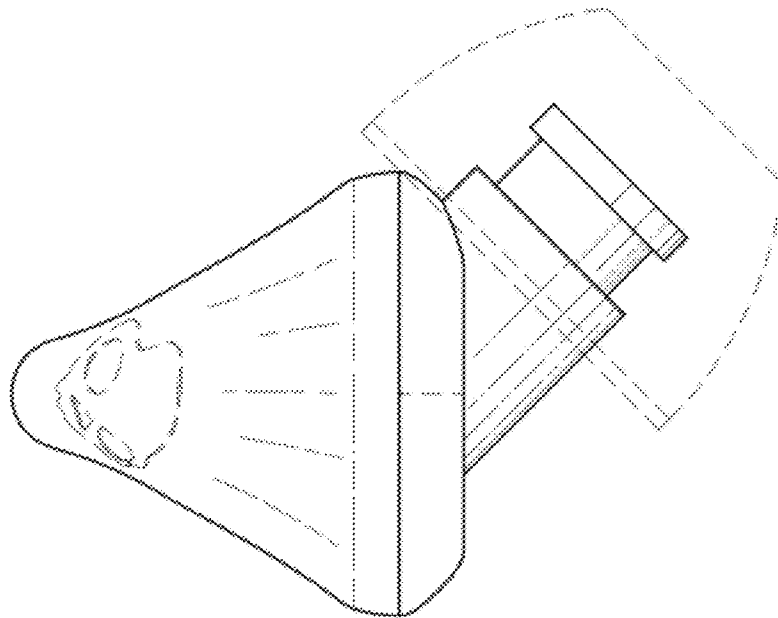


Fig. 7

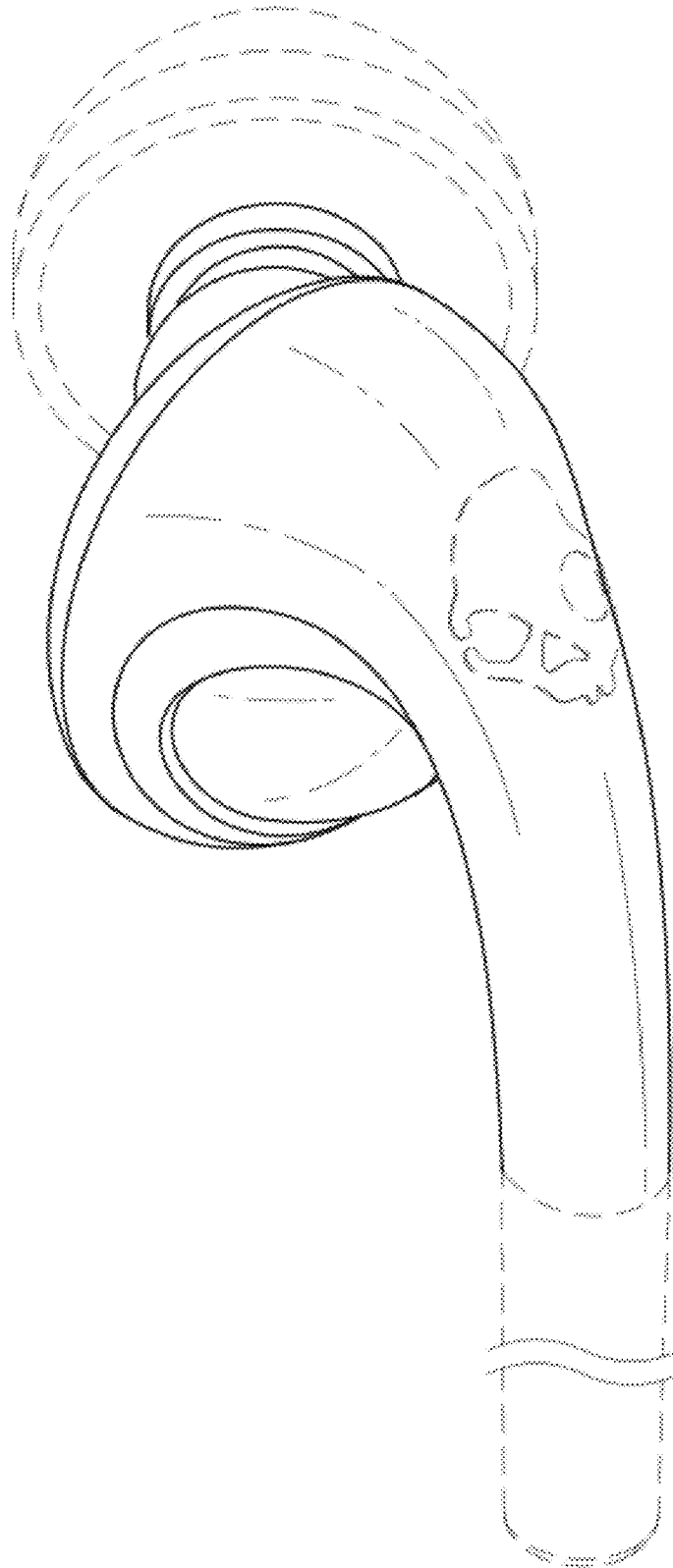


Fig. 9

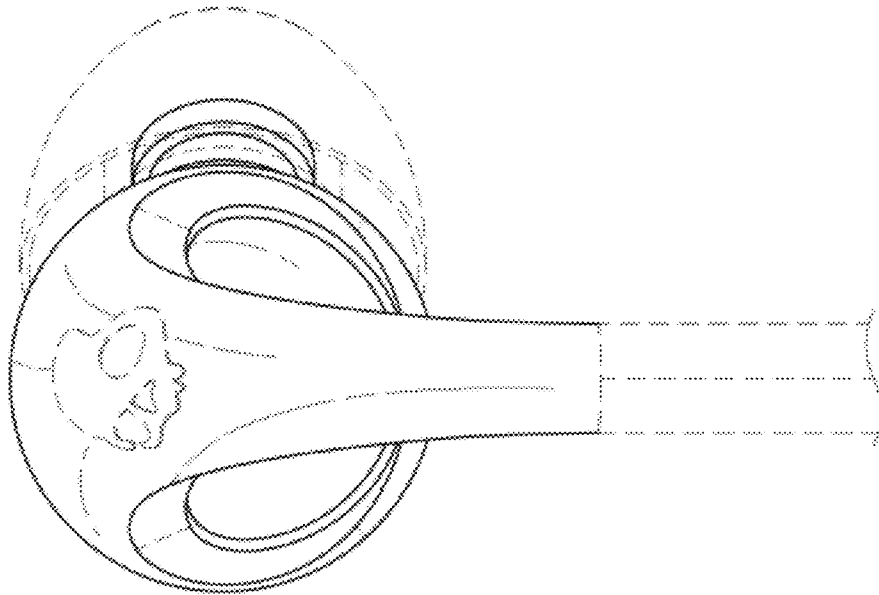


Fig. 11

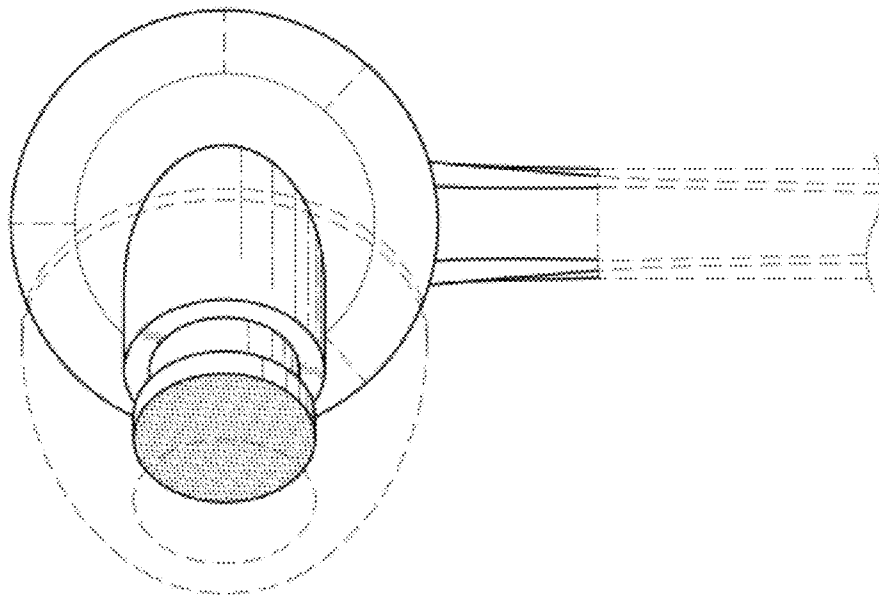


Fig. 10

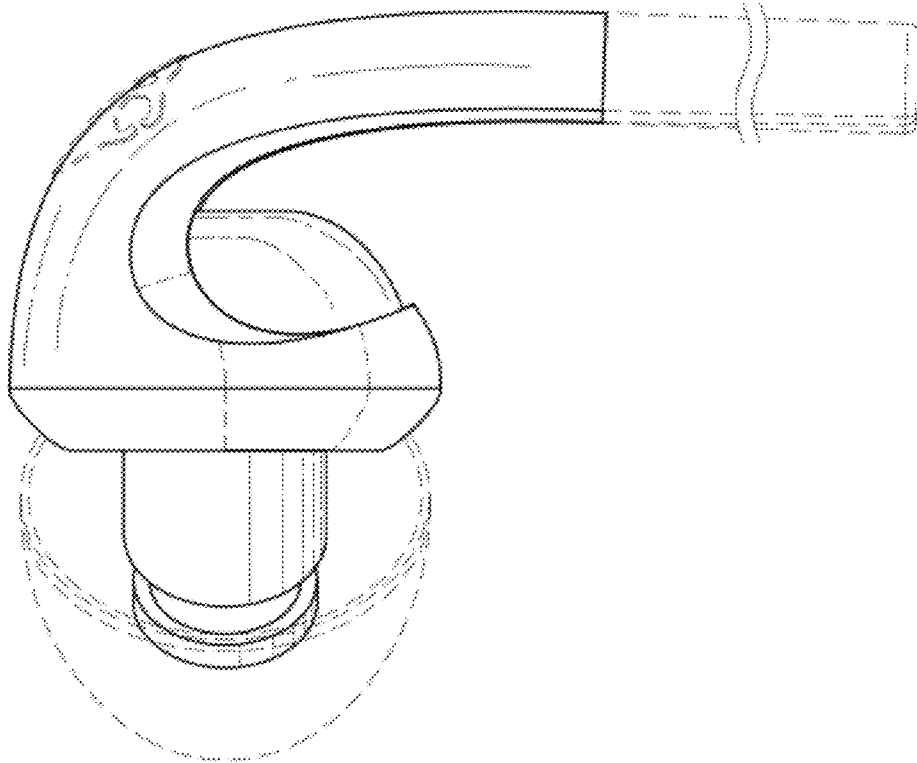


Fig. 13

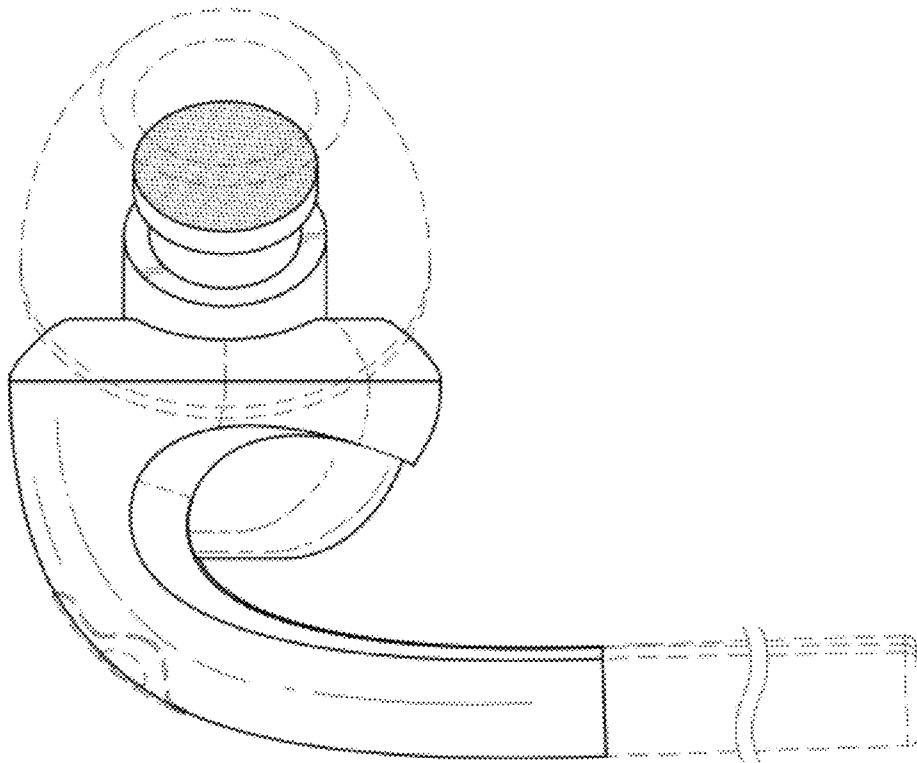


Fig. 12

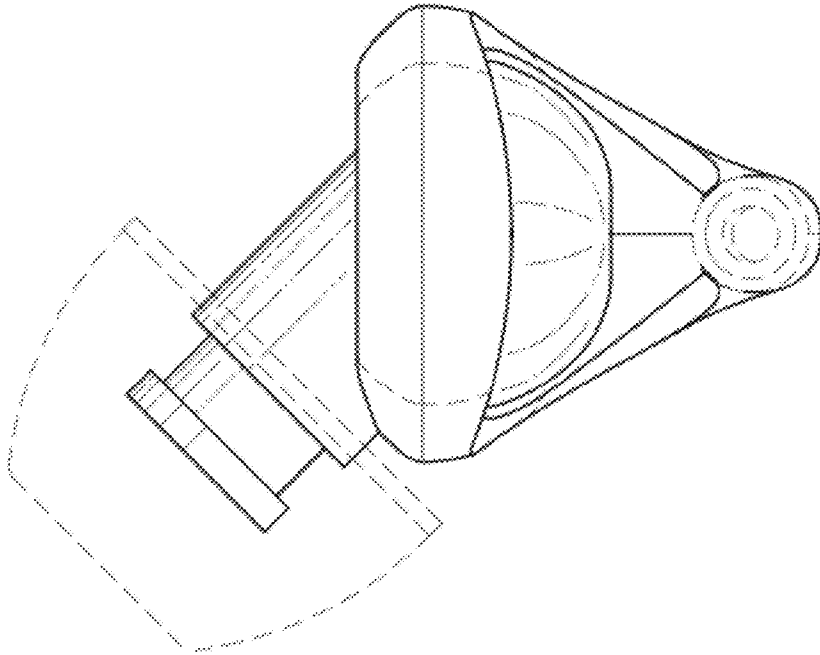


Fig. 15

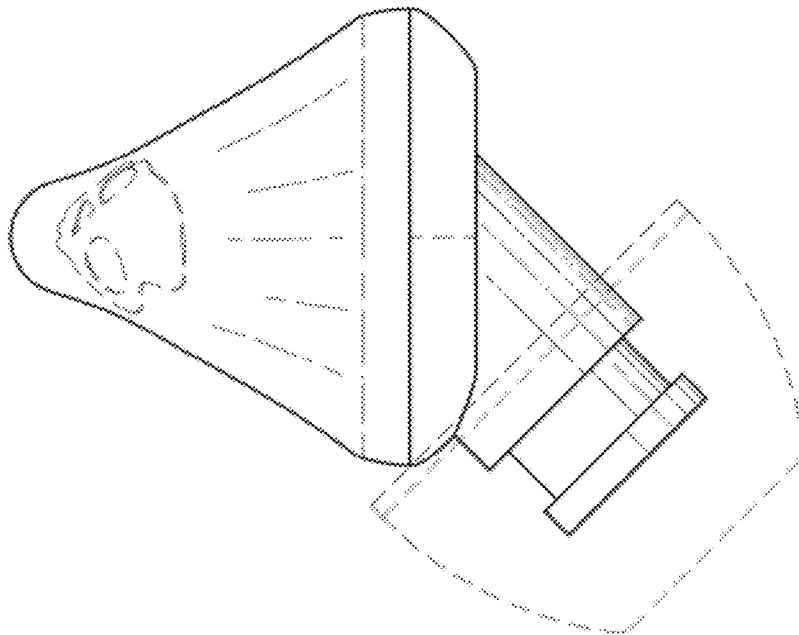


Fig. 14