



US00D574191S

(12) **United States Design Patent**
Ablo

(10) **Patent No.:** **US D574,191 S**

(45) **Date of Patent:** **** Aug. 5, 2008**

(54) **DRINKING TUMBLER**

(75) Inventor: **Famia E. Ablo**, Orlando, FL (US)

(73) Assignee: **Dart Industries Inc.**, Orlando, FL (US)

(**) Term: **14 Years**

(21) Appl. No.: **29/286,844**

(22) Filed: **May 18, 2007**

(51) **LOC (8) Cl.** **07-01**

(52) **U.S. Cl.** **D7/531; D7/523; D7/509**

(58) **Field of Classification Search** D7/396.1,
D7/396.2, 500, 509, 510, 511, 523, 524, 526-528,
D7/530-533, 536, 538, 540, 560, 565, 584;
D9/516, 519, 549, 555, 776, 778; 215/387,
215/DIG. 7; 220/560, 592.17, 703; 229/400,
229/406

See application file for complete search history.

(56) **References Cited**

U.S. PATENT DOCUMENTS

957,267	A *	5/1910	Sowell	229/5.5
D204,783	S *	5/1966	Johnson	D7/531
D286,725	S	11/1986	Zieff		
D375,683	S	11/1996	Schoff		
D381,558	S *	7/1997	Schaefer et al.	D7/531
D390,422	S	2/1998	Daenen et al.		
D437,733	S *	2/2001	Kaposi	D7/531
D453,447	S *	2/2002	Bi	D7/531

D454,304	S *	3/2002	Kim et al.	D9/429
D454,469	S	3/2002	Jalet et al.		
D466,664	S *	12/2002	Hsu	D34/1
D473,426	S	4/2003	Jalet et al.		
D493,668	S	8/2004	Hsu		
D544,307	S	6/2007	Ablo		
D546,626	S *	7/2007	Chou	D7/523
2006/0254453	A1 *	11/2006	Leal et al.	102/513

* cited by examiner

Primary Examiner—Philip Hyder

Assistant Examiner—Cynthia Underwood

(74) *Attorney, Agent, or Firm*—John A. Doninger

(57) **CLAIM**

The ornamental design for a drinking tumbler, as shown and described.

DESCRIPTION

FIG. 1 is a top, side and front perspective view of a drinking tumbler showing my new design;

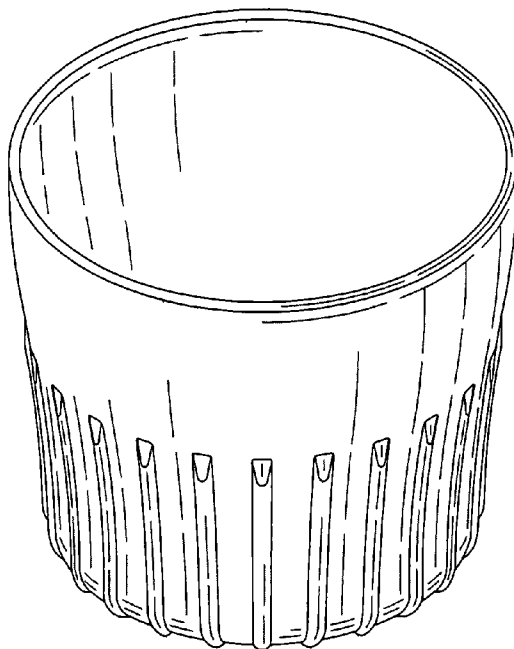
FIG. 2 is a front elevation view, the rear and side elevations being identical thereto;

FIG. 3 is a top plan view thereof; and,

FIG. 4 is a bottom plan view thereof.

The broken line portions of FIGS. 3 and 4 form no part of the claimed design.

1 Claim, 2 Drawing Sheets



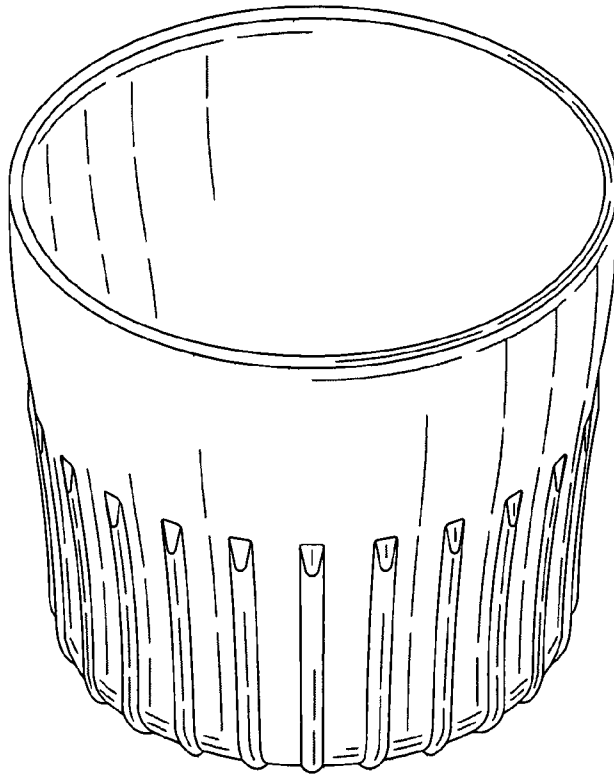


FIG. 1

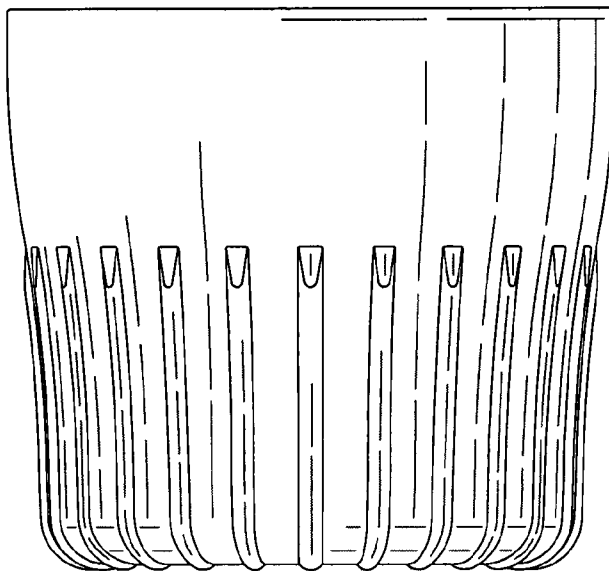


FIG. 2

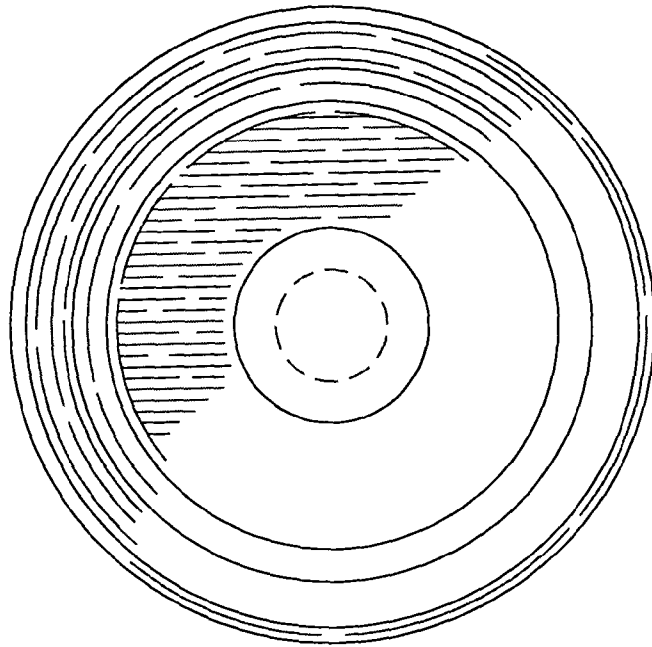


FIG. 3

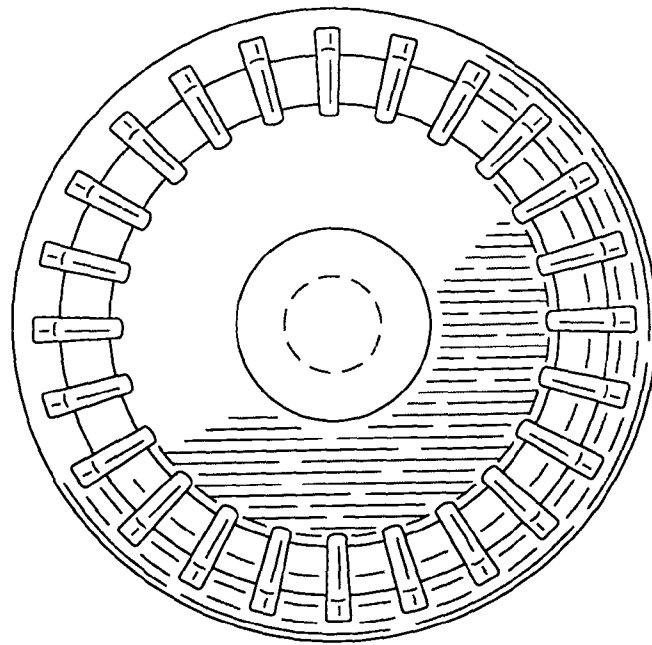


FIG. 4