

[54] **BEAM FOR FRAME STRUCTURE**

[75] Inventor: **Ingvar K. Andersson, Sjöfle, Sweden**

[73] Assignee: **Aktiebolaget Electrolux, Stockholm, Sweden**

[**] Term: **14 Years**

[21] Appl. No.: **125,041**

[22] Filed: **Feb. 27, 1980**

[30] **Foreign Application Priority Data**

Aug. 29, 1979 [SE] Sweden 79-1907

[51] Int. Cl. **D25-01**

[52] U.S. Cl. **D25/73; D25/58; D25/77**

[58] Field of Search 52/664, 241, 660, 669, 52/758 R, 284, 493, 580, 473; D25/55, 58, 70, 73, 74, 77

[56] **References Cited**

U.S. PATENT DOCUMENTS

3,611,666 10/1971 Poyser et al. D25/73 X
3,755,988 9/1973 van der Sluys 52/664 X
3,995,403 12/1976 Nickell 52/664 X
4,040,231 8/1977 Laborde 52/664

FOREIGN PATENT DOCUMENTS

2559077 7/1977 Fed. Rep. of Germany 52/664

Primary Examiner—A. Hugo Word

Attorney, Agent, or Firm—Alfred E. Miller

[57] **CLAIM**

The ornamental design for beam for frame structure, as shown and described.

DESCRIPTION

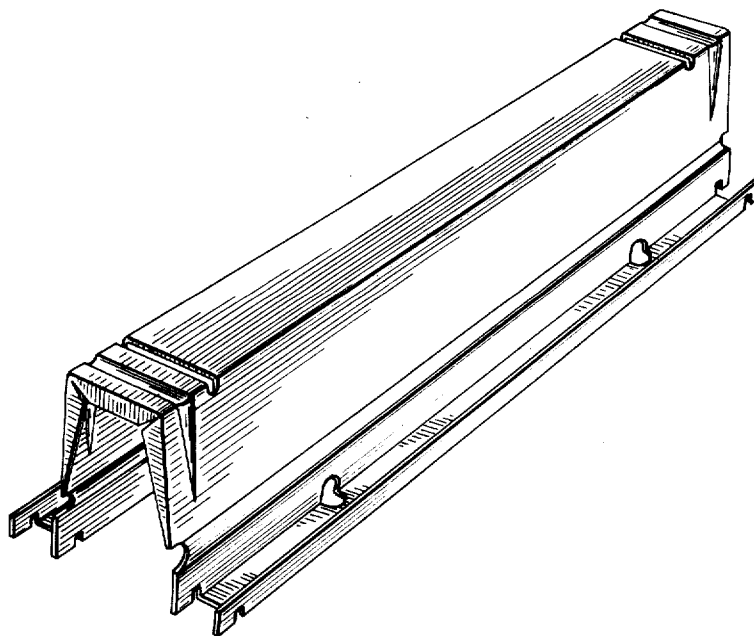
FIG. 1 is a perspective view of a beam for a frame structure;

FIG. 2 is a top view;

FIG. 3 is a side view, both sides being the same;

FIG. 4 is an end view;

FIG. 5 is a bottom view.



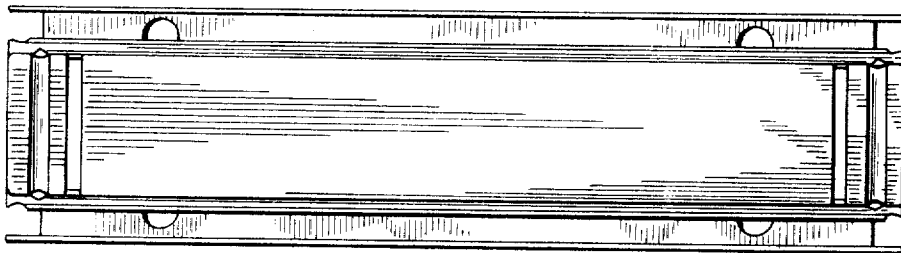
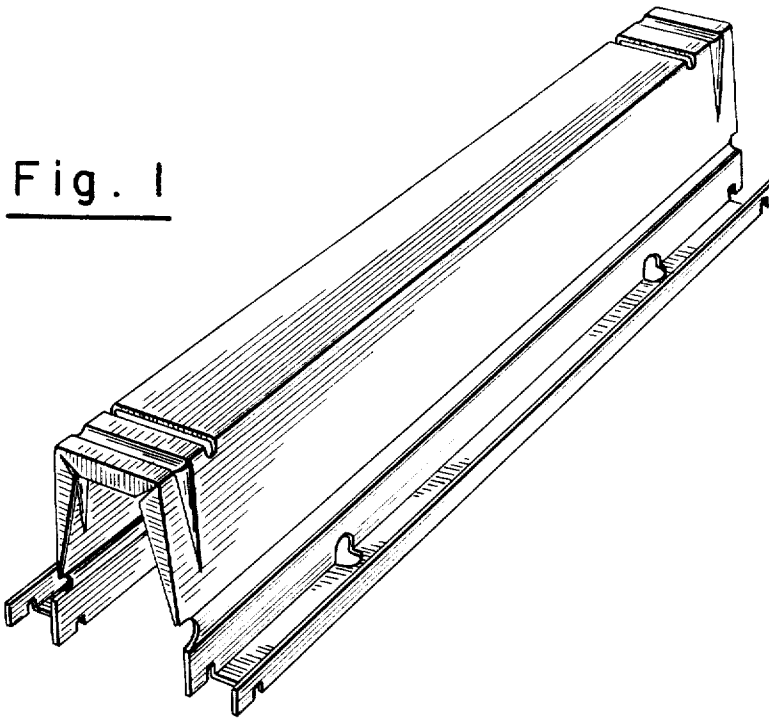


Fig. 2

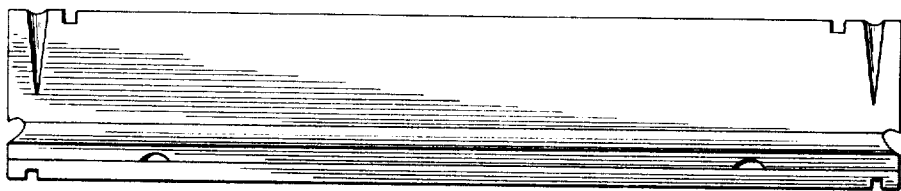


Fig. 3

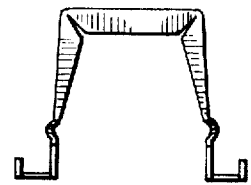


Fig. 4

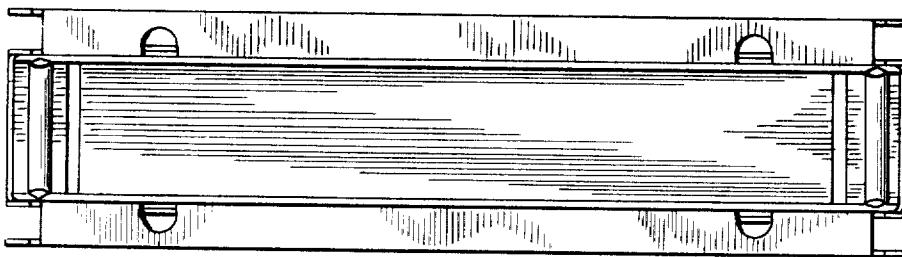


Fig. 5