

(12) PATENT ABRIDGMENT (11) Document No. AU-B-19039/88
(19) AUSTRALIAN PATENT OFFICE (10) Acceptance No. 612668

- (54) Title
APPARATUS FOR THE TREATMENT OF SEED
- International Patent Classification(s)
(51)⁴ **A01C 001/06 B05C 005/00 B05C 011/04**
- (21) Application No. : **19039/88** (22) Application Date : **14.07.88**
- (30) Priority Data
- (31) Number (32) Date (33) Country
87 10336 16.07.87 FR FRANCE
- (43) Publication Date : **19.01.89**
- (44) Publication Date of Accepted Application : **18.07.91**
- (71) Applicant(s)
ETABLISSEMENTS CERES S.A.
- (72) Inventor(s)
MICHELLE BAZIN; MICHEL TARON
- (7+) Attorney or Agent
DAVIES & COLLISON , 1 Little Collins Street, MELBOURNE VIC 3000
- (56) Prior Art Documents
GB 1562224
AU 77949/87 A01C 1/06
- (57) Claim

1. Apparatus for the treatment of seed, said apparatus comprising a rotary drum, having a substantially cylindrical peripheral wall mounted with its axis substantially horizontal, and two end walls, the drum being mounted for rotation about said axis and defining a volume in the bottom part of which there is located the bed of seeds to be treated, comprising means for distributing the charge or the treatment agent, means for driving the drum in rotation and directing members, fastened to the inside of the drum, for stirring the bed of seed during the treatment, in which these directing members consist of at least one pair of vertical rows of blades of opposite inclination such that:

a) each row is situated in one of the transverse zones of the volume of the drum substantially parallel to the latter's end walls, the two rows thus creating between them a substantially vertical central passage for the seeds to flow through;

b) the blades are inclined at an angle of inclination relative to the axis of the rotation of the drum;

(11) AU-B-19039/88
(10) 612668

-2-

c) two neighbouring blades of each row subtend an angle diverging towards the peripheral wall of the drums;

d) the blades of one of the rows are offset angularly relative to the blades of the other row, as viewed along the axis of the drum and the part of each blade which is used for stirring is the radially inward part, spaced from the peripheral wall.

COMMONWEALTH OF AUSTRALIA

PATENT ACT 1952

COMPLETE SPECIFICATION

(ORIGINAL)

612668

FOR OFFICE USE

CLASS

INT. CLASS

Application Number:
Lodged:

Complete Specification Lodged:
Accepted:
Published:

Priority:

Related Art:

NAME OF APPLICANT: ETABLISSEMENTS CERES S.A.

ADDRESS OF APPLICANT: "Chaume", 91660, Merville,
France

NAME(S) OF INVENTOR(S) Michelle BAZIN
Michel TARON

ADDRESS FOR SERVICE: DAVIES & COLLISON, Patent Attorneys
1 Little Collins Street, Melbourne, 3000.

COMPLETE SPECIFICATION FOR THE INVENTION ENTITLED:

"APPARATUS FOR THE TREATMENT OF SEED"

The following statement is a full description of this invention,
including the best method of performing it known to us :-

The present invention relates to apparatus for the treatment of seed.

"Seed" means any plant member capable of resulting in the reproduction of a plant and obtained either
5 by a sexual route, in which case it will be referred to as grain, or by vegetative reproduction, in which case it will be referred to as a plant or explant.

A treatment means any application of a liquid or solid product to the surface of the seed.

10 When this application results in a change in the shape of the seed, for example to permit mechanical sowing of individual seeds, then coating techniques are involved. These generally comprise, in a first stage, the deposition of an adhesive product onto the seed and then, optionally
15 after partial drying, the deposition of a liquid charge or of a powder, a treatment agent, an agro-chemical product, a dye or other adjuvant which fertilizes or improves the germination conditions of the seed.

20 When this application is carried out without changing the shape of the seed, for example to provide protection, and, optionally, a colour or an appearance, then this will be referred to as film-coating. This technique comprises spraying the seed to form a deposit of a liquid, frequently aqueous, composition of a film-forming product
25 containing a treatment agent, and simultaneously drying the deposit obtained.

These coating and film-coating techniques rely, among others, on rotary horizontal cylindrical drums comprising, besides the drum as such, means for driving it, means for distributing the charge and the treatment agent and, optionally, means for drying. To ensure homogenization of the treatment, it is known to provide stirring members inside the drum. However, despite a marked improvement in the quality of the coating, this is frequently insufficient on an industrial scale when, for example, seed of irregular shape is treated or when it is intended to produce a film coating requiring a deposit of high quality, that is to say of high uniformity, over the entire surface of the seed, for protection and/or for colouring.

There is therefore a need for apparatus which make it possible to carry out these treatments for protection and for improved appearance of these seeds, in order to improve the efficiency during the sowing.

According to the present invention there is provided apparatus for the treatment of seed, said apparatus comprising a rotary drum, having a substantially cylindrical peripheral wall mounted with its axis substantially horizontal, and two end walls, the drum being mounted for rotation about said axis and defining a volume in the bottom part of which there is located the bed of seeds to be treated, comprising means for distributing the charge or the treatment agent, means for driving the drum in rotation and directing members, fastened to the inside of the drum, for



stirring the bed of seed during the treatment, in which these directing members consist of at least one pair of vertical rows of blades of opposite inclination such that:

5 a) each row is situated in one of the transverse zones of the volume of the drum substantially parallel to the latter's end walls, the two rows thus creating between them a substantially vertical central passage for the seeds to flow through;

b) the blades are inclined at an angle of inclination relative to the axis of the rotation of the drum;

10 c) two neighbouring blades of each row subtend an angle diverging towards the peripheral wall of the drums;

d) the blades of one of the rows are offset angularly relative to the blades of the other row, as viewed along the axis of the drum and the part of each blade which is used for stirring is the radially inward part, spaced from the peripheral wall.

15

20



Such an apparatus permits each seed to be introduced a substantially identical number of times to the means for distributing the treatment agent, this being done throughout the treatment period.

5 The central passage for the seed to flow through is an essential feature of the apparatus according to the invention, this passage being substantially vertical. It must be sufficiently wide not to produce a shovel effect on the seed, that is to say not to entrain the seed towards the upper part of the drum and to make it shower down again in an uncontrolled fashion, without being excessively large, in which case the stirring of the seed is inadequate to ensure the homogeneity of the coating of the said seed.

10 The term "blade" means a rigid shape having a surface permitting a small volume of seeds to be pushed from one point to another within the volume of the drum, that is to say to have an efficient shovel effect. This surface may be planar or, alternatively, to improve the recirculation of the seed from below onto the top and vice versa, slightly twisted to avoid making the seed rise back into the drum.

15 In what follows, the inclination of the blades refers to the inclination of the latter's mean plane, that is to say the plane tangent to the surface at the centre of symmetry of this surface.

20

25

The inclination of the blades, as defined above, relative to the axis of rotation of the turbine, determines the rate of flow of the seed in the central flow passage.

5 It has been noted that very uniform results are obtained when the width (i.e. the axial length) of the central passage is approximately one third of the axial length of the drum. Similarly, an inclination of 30 to 60°, preferably of 40 to 50°, is advantageous.

10 Furthermore, the blades in the apparatus according to the invention are such that two neighbouring blades, one belonging to one row and the other belonging to the other row of opposite direction, which are therefore of different inclination, form between them an angle diverging towards the periphery of the drum, so that the seed starting
15 from the top of the bed of seed is guided back towards the central flow passage. This angle is generally between 30 and 60° and preferably between 40 and 50°.

20 Furthermore, the blades of one row are not opposite those of the other row, but are offset angularly, as viewed along the axis of the turbine. This is important, in order to ensure both an undisturbed downward flow of the seed (no seed blockage between the bottom part of the blades) at the same time as stirring of the seed coming from an upper blade with that situated on an opposed
25 lower blade.

Lastly, and in contrast with numerous known devices, the part of the blades which is used for the stirring must end at a certain distance from the neighbouring end walls of the drum. This distance is
5 generally small but must be sufficient to permit the lateral seed to slide downwards and to fall back into the cycle of the general movement towards the centre.

Thus, bearing in mind this condition and the dimensions of the central flow passage, the orthogonal
10 projection of the blades on the drum axis is always smaller than one half of the axial length of the drum and is preferably approximately close to one third of this length.

All the above parameters may be modified as a function of the nature, the shape and the quantity of the
15 seed to be treated, of the type of method applied, and of the required effect on the seed. In all cases, stirring of such quality is obtained that, on average, the seed passes the same number of times under the spray of the treatment product.

20 The blades described above may be solid or hollow or perforated and may be made of any material provided that it is sufficiently resistant to abrasion, non-adhesive to the charges applied onto the seed and inert towards the treatment products.

25 Similarly, the drum may be solid or perforated, especially if an external suction or blowing device is provided particularly for drying the seed.

The above description applies to a pair of rows of blades, but it is quite obvious that, in order to increase the capacity and/or the throughput of the unit, the device according to the invention may comprise a number of pairs of rows of blades in series, that is to say coaxial with the first row, and capable of being identical with or different from the first in size and inclination.

In order that the invention may more readily be understood, the following description is given, by way of example only, reference being made to the accompanying drawings, in which:-

Figure 1: an axial cross-section of one embodiment of apparatus according to the invention.

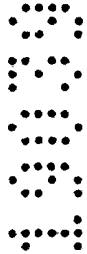
Figure 2: a view in cross-section along a diametral plane, of the apparatus of Figure 1.

Figure 3: a sectional view of another embodiment of apparatus according to the invention comprising five coaxial pairs of rows of blades.

Figures 1 and 2 show a horizontal cylindrical drum 1 having transverse end walls 4 and 5 and a cylindrical peripheral wall 6. The drum is capable of being rotated about its axis 2 by driving means which are not shown, and being provided in interior with means 3 for distributing a treatment product, for example nozzles for spraying an aqueous dispersion of a film-forming product, or powder distributors. Inside the drum 1, in each of the parts of

the volume which are close to the end walls 4, 5 respectively, there are two rows 6 and 7 of blades 6a, 6b, 6c, and 7a, 7b, 7c secured by means of the fastenings 6¹, 62, 63 and 71, 72, 73 respectively, onto the cylindrical wall 8. These blades are inclined at 45° relative to the axis of the drum, and are arranged symmetrically relative to the diametral plane of the drum (cf. Figure 2), that is to say the blades are offset by 120° relative to one another in this plane. Lastly, row 7 is offset by 60° relative to the row 6. These two rows of blades create a central flow passage 8, the width of which (i.e. the axial length of which) advantageously represents one third of the axial length l of the drum. The bed of seed is indicated by 9 when the drum is at rest and by 10 when it is in operation. It can be clearly seen that, as a result of the arrangement of the blades, the seed is stirred in a particularly homogeneous manner.

Figure 3 shows diagrammatically a drum 11 according to the invention, comprising five pairs of rows, 12, 13, 14, 15, 16 of blades 12a, 12b, 13a, 13b, 14a, 14b, 15a, 15b, 16a, 16b of the type described in Figures 1 and 2. In this construction, however, the axial length of the free space forming a central flow passage for 14 seeds is relatively less, being approximately one third of the axial length of each of the blades.



THE CLAIMS DEFINING THE INVENTION ARE AS FOLLOWS:

1. Apparatus for the treatment of seed, said apparatus comprising a rotary drum, having a substantially cylindrical peripheral wall mounted with its axis substantially horizontal, and two end walls, the drum being mounted for rotation about said axis and defining a volume in the bottom part of which there is located the bed of seeds to be treated, comprising means for distributing the charge or the treatment agent, means for driving the drum in rotation and directing members, fastened to the inside of the drum, for stirring the bed of seed during the treatment, in which these directing members consist of at least one pair of vertical rows of blades of opposite inclination such that:

a) each row is situated in one of the transverse zones of the volume of the drum substantially parallel to the latter's end walls, the two rows thus creating between them a substantially vertical central passage for the seeds to flow through;

b) the blades are inclined at an angle of inclination relative to the axis of the rotation of the drum;

c) two neighbouring blades of each row subtend an angle diverging towards the peripheral wall of the drums;

d) the blades of one of the rows are offset angularly relative to the blades of the other row, as viewed along the axis of the drum and the part of each blade which is used for stirring is the radially inward part, spaced from the peripheral wall.

2. Apparatus according to claim 1, wherein said angle of inclination of the blades is from 30° to 60°.

3. Apparatus according to claim 2, wherein said angle



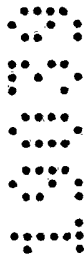
of inclination is 40° to 50°.

4. Apparatus according to claim 3, wherein said angle of inclination of the blades is 45°.

5

5. Apparatus according to any preceding claim, wherein the central passage for the seed to flow through has an axial length substantially equal to one third of the axial length of the drum.

10

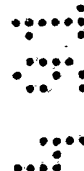


6. Apparatus according to any one of claims 1 to 4, wherein the central passage for the seed to flow through has an axial length substantially equal to one third of the axial length of the blades.

15



7. Apparatus according to any preceding claim, wherein means are provided to cause a flow of drying air within the drum.



20

8. Apparatus according to any preceding claim, wherein one of the pairs of rows of blades is offset by an angle of 60° relative to the other.



25

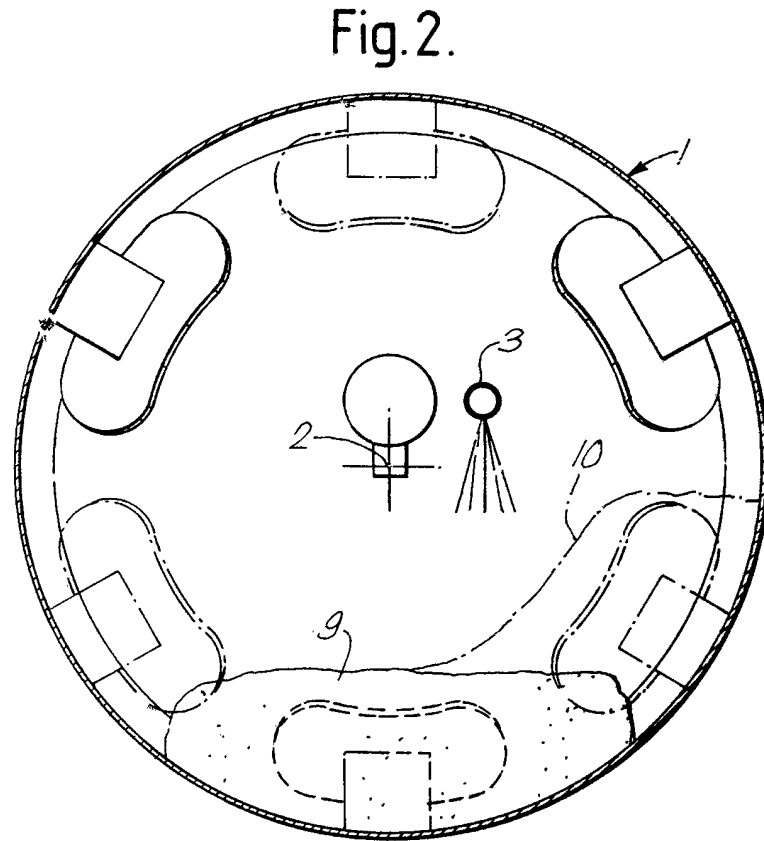
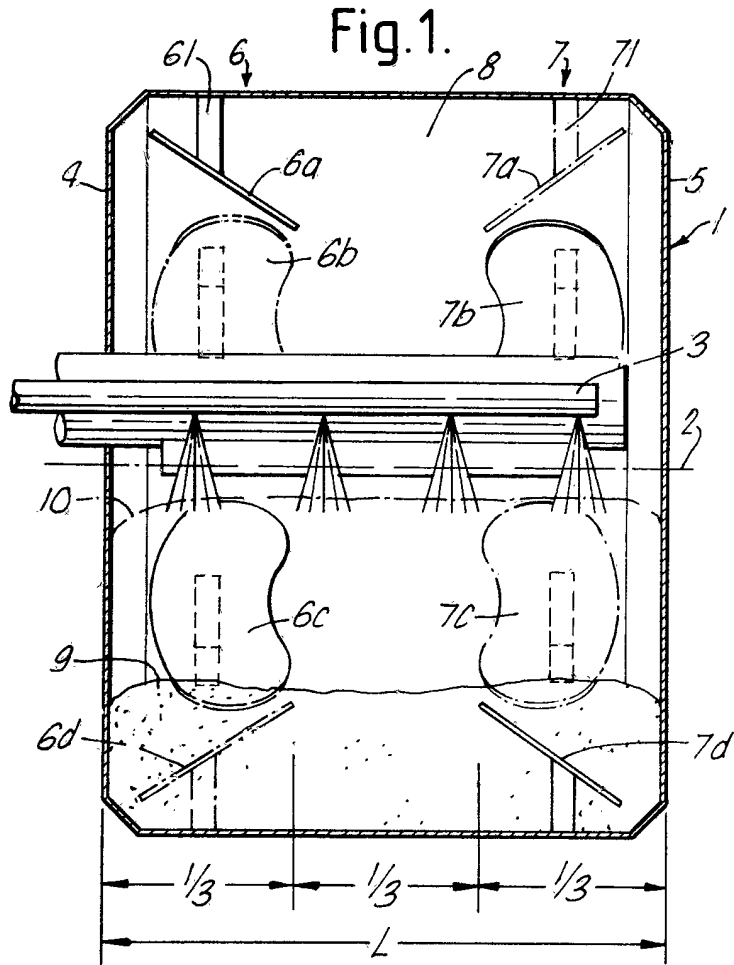


9. Apparatus for the treatment of seed, said apparatus being substantially as here and before described with reference to and as illustrated in the accompanying drawings.

Dated this 22nd day of April, 1991

ETABLISSEMENTS CERES S.A.,
By its Patent Attorneys,
DAVIES & COLLISON





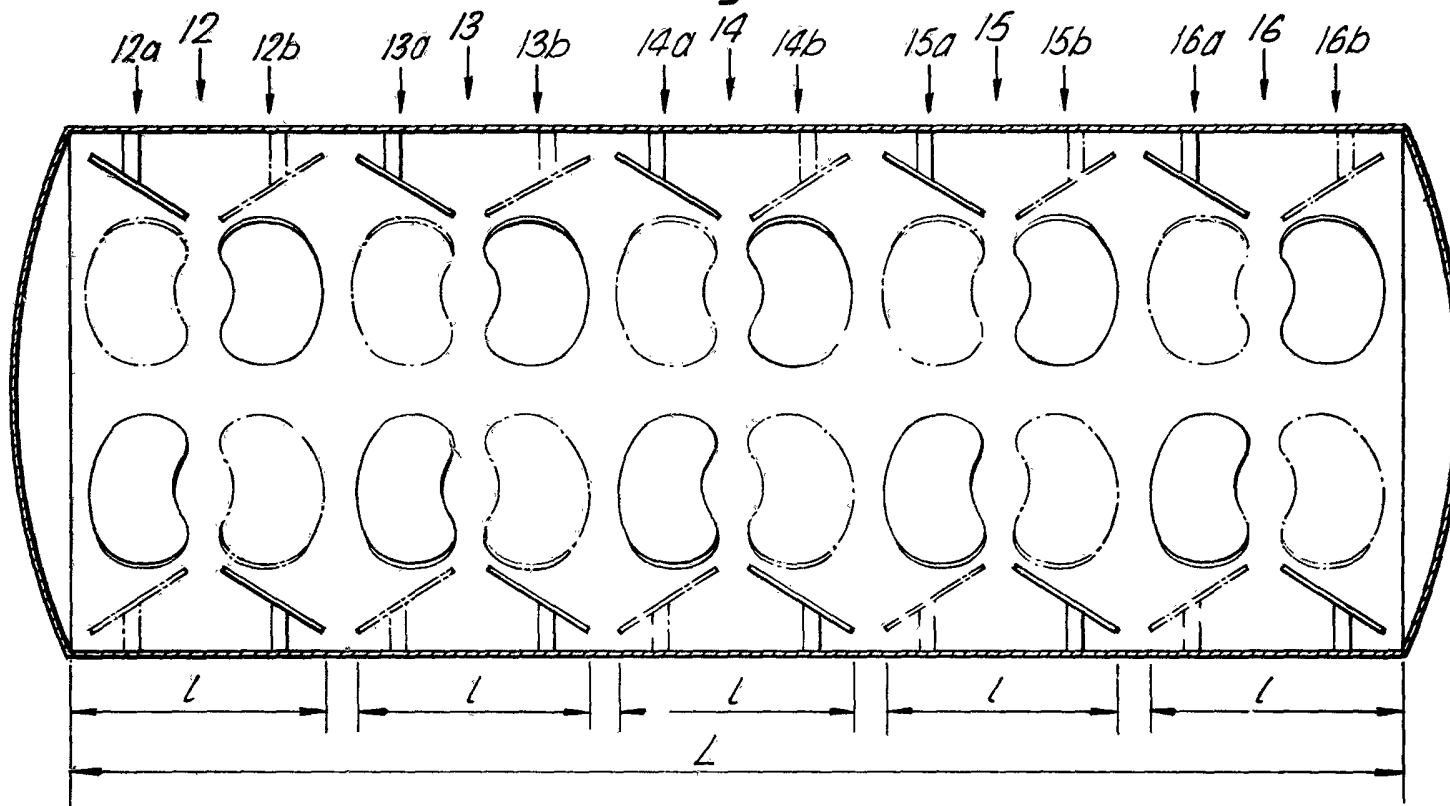
19039/88

13

9 88

19039

Fig. 3.



19039/88