

(19) World Intellectual Property Organization
International Bureau



(43) International Publication Date
12 January 2012 (12.01.2012)

(10) International Publication Number
WO 2012/005654 A3

(51) International Patent Classification:
A01K 13/00 (2006.01)

(21) International Application Number:
PCT/SE201 1/050754

(22) International Filing Date:
16 June 2011 (16.06.2011)

(25) Filing Language: English

(26) Publication Language: English

(30) Priority Data:
61/363,044 9 July 2010 (09.07.2010) US
1050778-8 9 July 2010 (09.07.2010) SE

(71) Applicant (for all designated States except US):
DELAVAL HOLDING AB [SE/SE]; P.O. Box 39,
S-147 21 Tumba (SE).

(72) Inventors; and

(75) Inventors/Applicants (for US only): **VAN DER POEL, Hans** [NL/NL]; Veenderveld 51, NL-2371 TT Roelofarendsveen (NL). **BARIONI, Andrea** [IT/IT]; Via Ugo la Malfa no 7, I-40132 Bologna (IT).

(74) Agent: **HÄLLGREN, Christer**; DeLaval International AB, Intellectual Property Support / Legal Affairs, Box 39, S-147 21 Tumba (SE).

(81) Designated States (unless otherwise indicated, for every kind of national protection available): AE, AG, AL, AM, AO, AT, AU, AZ, BA, BB, BG, BH, BR, BW, BY, BZ, CA, CH, CL, CN, CO, CR, CU, CZ, DE, DK, DM, DO, DZ, EC, EE, EG, ES, FI, GB, GD, GE, GH, GM, GT, HN, HR, HU, ID, IL, IN, IS, JP, KE, KG, KM, KN, KP, KR, KZ, LA, LC, LK, LR, LS, LT, LU, LY, MA, MD, ME, MG, MK, MN, MW, MX, MY, MZ, NA, NG, NI, NO, NZ, OM, PE, PG, PH, PL, PT, RO, RS, RU, SC, SD, SE, SG, SK, SL, SM, ST, SV, SY, TH, TJ, TM, TN, TR, TT, TZ, UA, UG, US, UZ, VC, VN, ZA, ZM, ZW.

(84) Designated States (unless otherwise indicated, for every kind of regional protection available): ARIPO (BW, GH, GM, KE, LR, LS, MW, MZ, NA, SD, SL, SZ, TZ, UG, ZM, ZW), Eurasian (AM, AZ, BY, KG, KZ, MD, RU, TJ, TM), European (AL, AT, BE, BG, CH, CY, CZ, DE, DK, EE, ES, FI, FR, GB, GR, HR, HU, IE, IS, IT, LT, LU, LV, MC, MK, MT, NL, NO, PL, PT, RO, RS, SE, SI, SK, SM, TR), OAPI (BF, BJ, CF, CG, CI, CM, GA, GN, GQ, GW, ML, MR, NE, SN, TD, TG).

[Continued on next page]

(54) Title: AN ANIMAL BRUSHING ARRANGEMENT

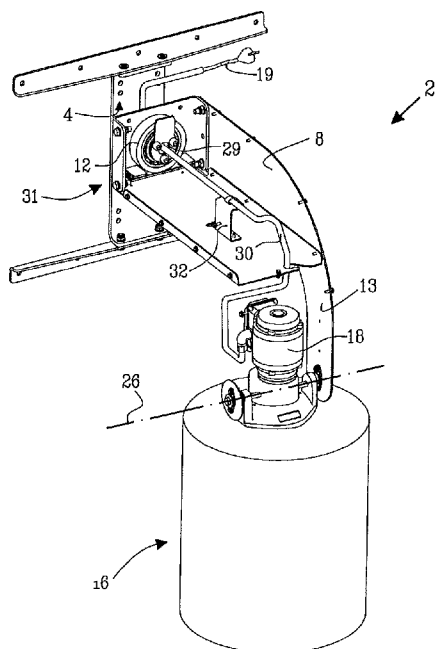


Fig. 2

(57) Abstract: There is provided an animal brushing arrangement (2) for mounting to a stationary structure. The arrangement (2) comprises a movable brush (16) driven by an electric motor (18) provided adjacent to the movable brush (16), a fixing part (4) adapted for attaching the arrangement (2) to the stationary structure, and a first movable part (8) which at a first end (10) is pivotally attached to the fixing part (4) by means of a first pivot arrangement (12) to pivot about a first axis which is substantially horizontal when the fixing part (4) is attached to the stationary structure and which allows the movable brush (16), suspended at a second end (14) of the first movable part (8), to swing back and forth in at least one plane. An electric cable (19) is provided to feed electric power to the electric motor (18). The first pivot arrangement (12) is provided with a through hole (29) and at least part of the through hole (29) is arranged substantially concentrically with the first axis. The electric cable (19) extends through the through hole (29).



WO 2012/005654 A3

Declarations under Rule 4.17:

- as to applicant's entitlement to apply for and be granted a patent (Rule 4.17(H))
- as to the applicant's entitlement to claim the priority of the earlier application (Rule 4.17(Hi))

— before the expiration of the time limit for amending the claims and to be republished in the event of receipt of amendments (Rule 48.2(h))

(88) Date of publication of the international search report:
8 March 2012

Published:

- with international search report (Art. 21(3))

INTERNATIONAL SEARCH REPORT

International application No
PCT/SE2011/050754

A. CLASSIFICATION OF SUBJECT MATTER
INV. A01K13/00
ADD.

According to International Patent Classification (IPC) or to both national classification and IPC

B. FIELDS SEARCHED

Minimum documentation searched (classification system followed by classification symbols)
A01K

Documentation searched other than minimum documentation to the extent that such documents are included in the fields searched

Electronic data base consulted during the international search (name of data base and, where practical, search terms used)

EPO-Internal , WPI Data

C. DOCUMENTS CONSIDERED TO BE RELEVANT

Category*	Citation of document, with indication, where appropriate, of the relevant passages	Relevant to claim No.
A	wo 2010/040631 A (DELAVAL HOLDING AB [SE] ; FRIBERG OLOF [SE] ; VAN DER POEL HANS [NL]) 15 April 2010 (2010-04-15) page 6, line 13 - page 8; figures 1-3 , 8	1-13
A	- & SE 0 802 097 A (DELAVAL HOLDING AB [SE]) 7 April 2010 (2010-04-07) cited in the application the whole document -----	1-13

Further documents are listed in the continuation of Box C.

See patent family annex.

* Special categories of cited documents :

- "A" document defining the general state of the art which is not considered to be of particular relevance
- "E" earlier document but published on or after the international filing date
- "L" document which may throw doubts on priority claim(s) or which is cited to establish the publication date of another citation or other special reason (as specified)
- "O" document referring to an oral disclosure, use, exhibition or other means
- "P" document published prior to the international filing date but later than the priority date claimed

- "T" later document published after the international filing date or priority date and not in conflict with the application but cited to understand the principle or theory underlying the invention
- "X" document of particular relevance; the claimed invention cannot be considered novel or cannot be considered to involve an inventive step when the document is taken alone
- "Y" document of particular relevance; the claimed invention cannot be considered to involve an inventive step when the document is combined with one or more other such documents, such combination being obvious to a person skilled in the art.
- "&" document member of the same patent family

Date of the actual completion of the international search

2 November 2011

Date of mailing of the international search report

24/01/2012

Name and mailing address of the ISA/

European Patent Office, P.B. 5818 Patentlaan 2
NL - 2280 HV Rijswijk
Tel. (+31-70) 340-2040,
Fax: (+31-70) 340-3016

Authorized officer

von Arx, Vik

INTERNATIONAL SEARCH REPORT

International application No.
PCT/SE20 11/05Q754

Box No. II Observations where certain claims were found unsearchable (Continuation of item 2 of first sheet)

This international search report has not been established in respect of certain claims under Article 17(2)(a) for the following reasons:

1. Claims Nos.:
because they relate to subject matter not required to be searched by this Authority, namely:

2. Claims Nos.:
because they relate to parts of the international application that do not comply with the prescribed requirements to such an extent that no meaningful international search can be carried out, specifically:

3. Claims Nos.:
because they are dependent claims and are not drafted in accordance with the second and third sentences of Rule 6.4(a).

Box No. III Observations where unity of invention is lacking (Continuation of item 3 of first sheet)

This International Searching Authority found multiple inventions in this international application, as follows:

see additional sheet

1. **S** All required additional search fees were timely paid by the applicant, this international search report covers all searchable claims.
2. As all searchable claims could be searched without effort justifying an additional fees, this Authority did not invite payment of additional fees.
3. As only some of the required additional search fees were timely paid by the applicant, this international search report covers only those claims for which fees were paid, specifically claims Nos. :
4. No required additional search fees were timely paid by the applicant. Consequently, this international search report is restricted to the invention first mentioned in the claims; it is covered by claims Nos.:

1- 13

Remark on Protest

- The additional search fees were accompanied by the applicant's protest and, where applicable, the payment of a protest fee.
- The additional search fees were accompanied by the applicant's protest but the applicable protest fee was not paid within the time limit specified in the invitation.
- No protest accompanied the payment of additional search fees.

INTERNATIONAL SEARCH REPORT

Information on patent family members

International application No

PCT/SE2011/05Q754

Patent document cited in search report	Publication date	Patent family member(s)	Publication date
WO 2010040631	A	15-04-2010	
		AU 2009301274 AI	15-04-2010
		CA 2738736 AI	15-04-2010
		CN 102170776 A	31-08-2011
		EP 2330887 AI	15-06-2011
		KR 20110082168 A	18-07-2011
		US 2011174234 AI	21-07-2011
		Wo 2010040631 AI	15-04-2010

SE 0802097	A	07-04-2010	-----

FURTHER INFORMATION CONTINUED FROM PCT/ISA/ 210

This International Searching Authority found multiple (groups of) inventions in this international application, as follows:

1. claims: 1-13

An animal brushing arrangement with the electrical cable extending through a through hole provided in a first pivot arrangement

2. claims: 14-22

An animal brushing arrangement with the brush stopping when a force of 50 to 150 N is applied
