

Jan. 23, 1951

N. W. ROOP
DRINKING MUG

Des. 161,712

Filed Oct. 26, 1949

FIG. 3.

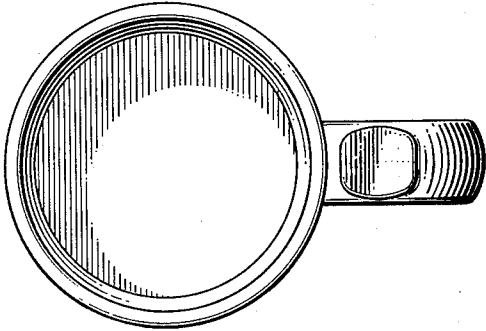


FIG. 1.

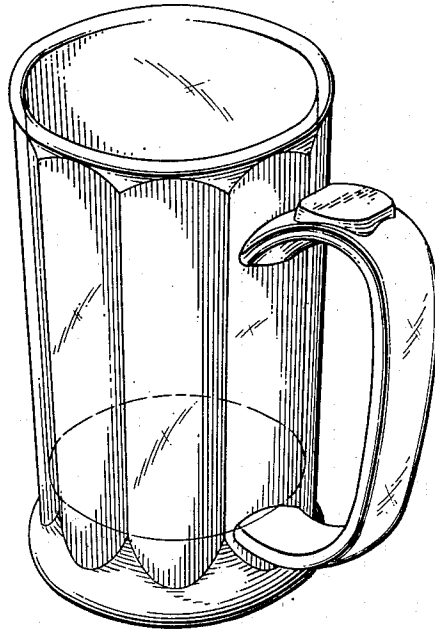


FIG. 2.

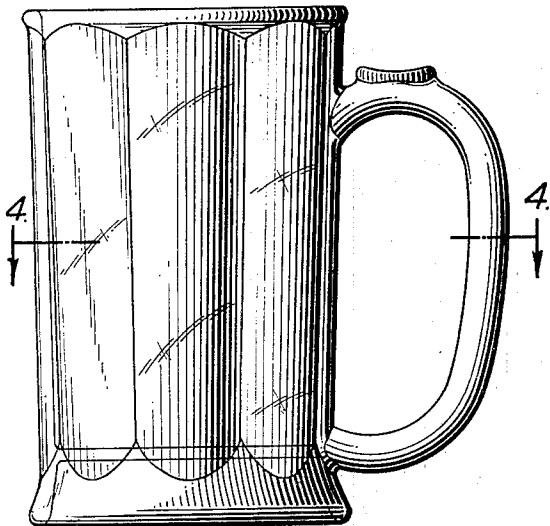


FIG. 5.

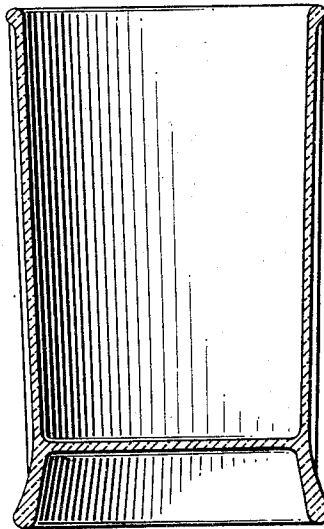
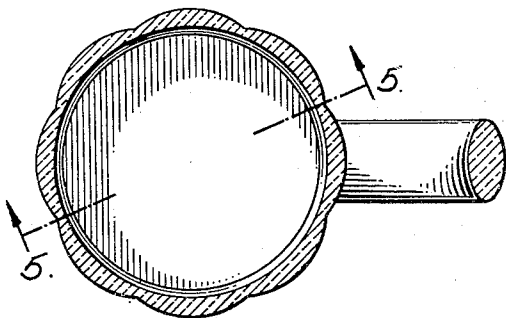


FIG. 4.



Inventor:
Nathan W. Roop
by his Attorneys
Houison & Houison

UNITED STATES PATENT OFFICE

161,712

DRINKING MUG

Nathan W. Roop, Columbus, Ohio, assignor to
The Charles E. Hires Company, Philadelphia,
Pa., a corporation of Delaware

Application October 26, 1949, Serial No. 5,720

Term of patent 7 years

(Cl. D36—8)

To all whom it may concern:

Be it known that I, Nathan W. Roop, a citizen of the United States, residing in Columbus, Franklin County, Ohio, have invented a new, original, and ornamental Design for Drinking Mug, of which the following is a specification, reference being had to the accompanying drawing, in which:

Fig. 1 is a view in perspective showing my new design;

Fig. 2 is a side elevational view of the article;

Fig. 3 is a top plan view thereof;

Fig. 4 is a sectional view taken on line 4—4, Fig. 2; and

Fig. 5 is a sectional view taken on line 5—5, Fig. 4.

I claim:

The ornamental design for a drinking mug, substantially as shown.

NATHAN W. ROOP.

REFERENCES CITED

The following references are of record in the file of this patent:

UNITED STATES PATENTS

Number	Name	Date
D. 8,390	Pears	June 15, 1875
D. 9,304	King	May 23, 1876

OTHER REFERENCES

McKee and Bros. Glass-Ware Cat., 1871, page 19, bottom row, items "Crystal Pony" and "Huber Mug."