



US00D815596S

(12) **United States Design Patent**  
**Currier et al.**

(10) **Patent No.:** **US D815,596 S**

(45) **Date of Patent:** **\*\* Apr. 17, 2018**

(54) **POWER SUPPLY**

H05K 5/0208; H05K 5/0247; H05K 5/00;

H05H 1/26; B23K 10/00; B23K 10/02

See application file for complete search history.

(71) Applicant: **Hypertherm, Inc.**, Hanover, MA (US)

(72) Inventors: **Brian J. Currier**, Newport, NH (US);  
**Peter J. Twarog**, Meriden, NH (US);  
**Brenda Melius**, Acworth, NH (US);  
**Girish R. Kamath**, Lebanon, NH (US);  
**Scott A. Leonard**, Bedford, NH (US);  
**Matthew C. Harris**, Kittery, ME (US)

(56) **References Cited**

U.S. PATENT DOCUMENTS

D339,632 S *	9/1993	Immel .....	D23/351
D668,221 S *	10/2012	McKune .....	D13/110
D756,943 S *	5/2016	Epstein .....	D13/184
D772,185 S *	11/2016	Moninski .....	D13/184

\* cited by examiner

(73) Assignee: **Hypertherm, Inc.**, Hanover, NH (US)

(\*\*) Term: **15 Years**

*Primary Examiner* — Rosemary K Tarcza

*Assistant Examiner* — Christy M Nemeth

(21) Appl. No.: **29/569,614**

(74) *Attorney, Agent, or Firm* — Proskauer Rose LLP

(22) Filed: **Jun. 29, 2016**

(51) **LOC (11) Cl.** ..... **13-02**

(52) **U.S. Cl.**

USPC ..... **D13/110**

(58) **Field of Classification Search**

USPC ..... D13/101, 102, 107, 108, 110, 112, 118,

D13/119, 123, 133, 138.1, 162, 184, 199

CPC ..... H02P 27/04; H02P 27/06; H02P 27/047;

H02P 2201/09; H02P 2201/11; H02M

2001/0067; H02M 2001/007; H02M

2001/0045; H02M 2001/0083; H02M

2001/009; G06F 1/00; G06F 1/188; G06F

1/189; G06F 1/26; G06F 11/2015; H01R

13/66; H01R 13/60; H01R 13/72; H01R

13/6675; H01R 31/065; H05K 5/0021;

(57) **CLAIM**

The ornamental design for a power supply, as shown and described.

**DESCRIPTION**

FIG. 1 is a right front isometric view of a power supply;

FIG. 2 is a front elevation view thereof;

FIG. 3 is a rear elevation view thereof;

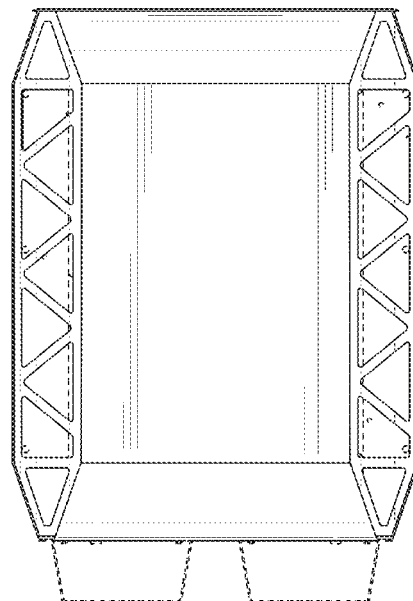
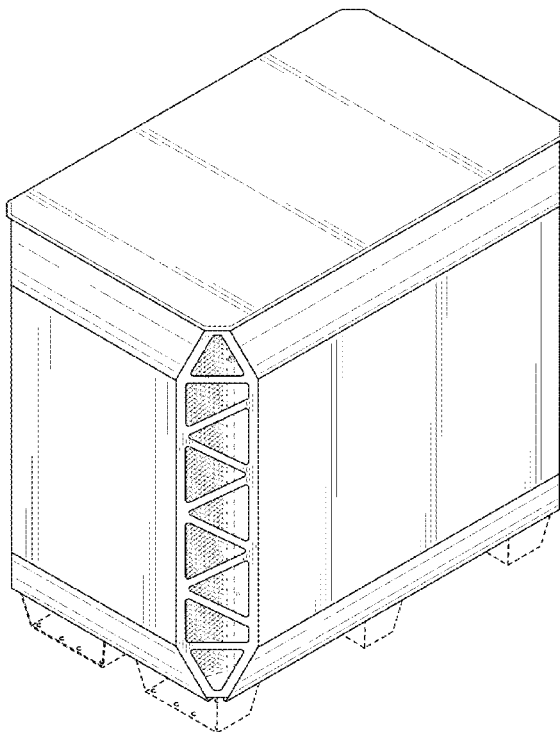
FIG. 4 is a left side elevation view thereof;

FIG. 5 is a right side elevation view thereof;

FIG. 6 is a top plan view thereof; and,

FIG. 7 is a bottom plan view thereof.

**1 Claim, 7 Drawing Sheets**



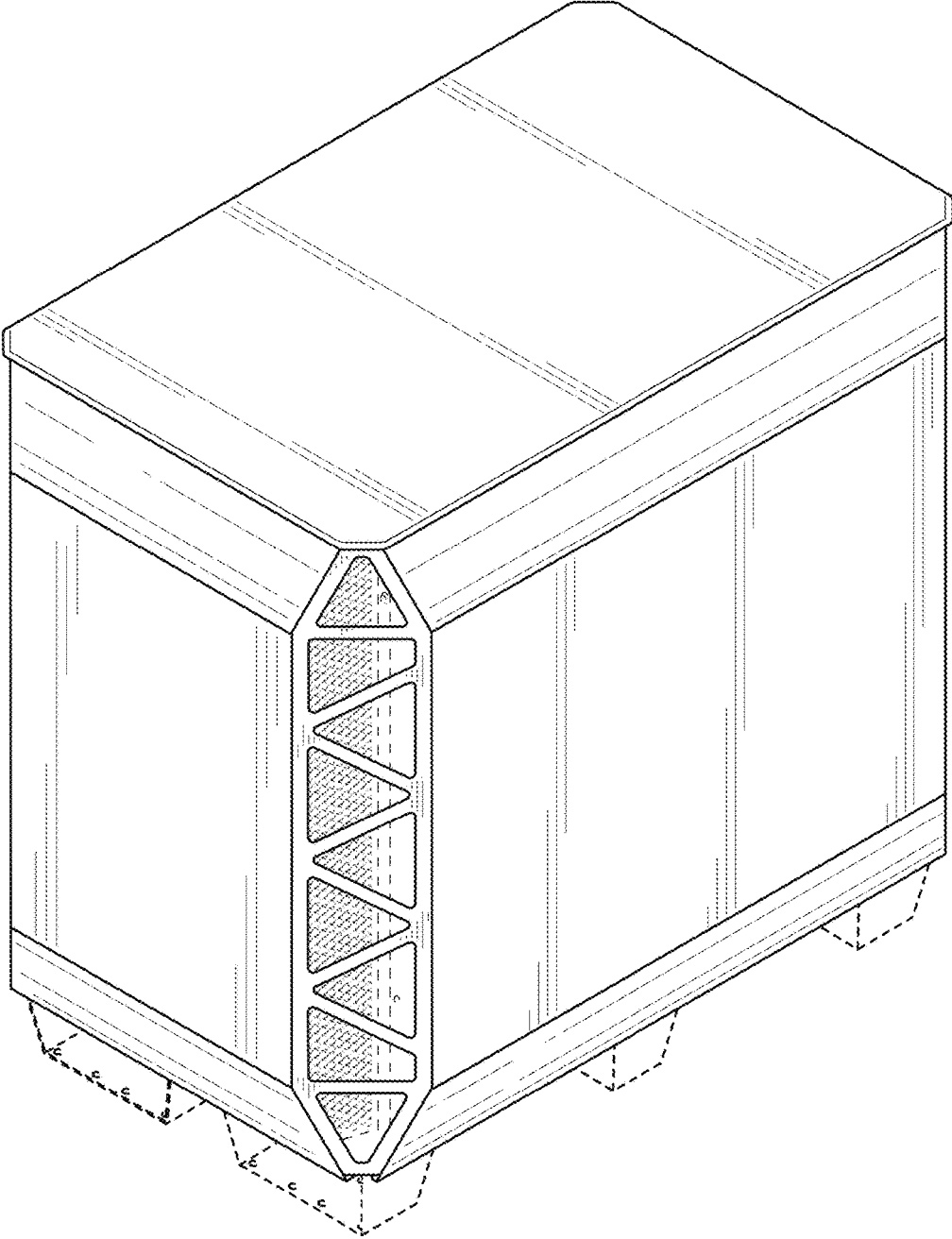


FIG. 1

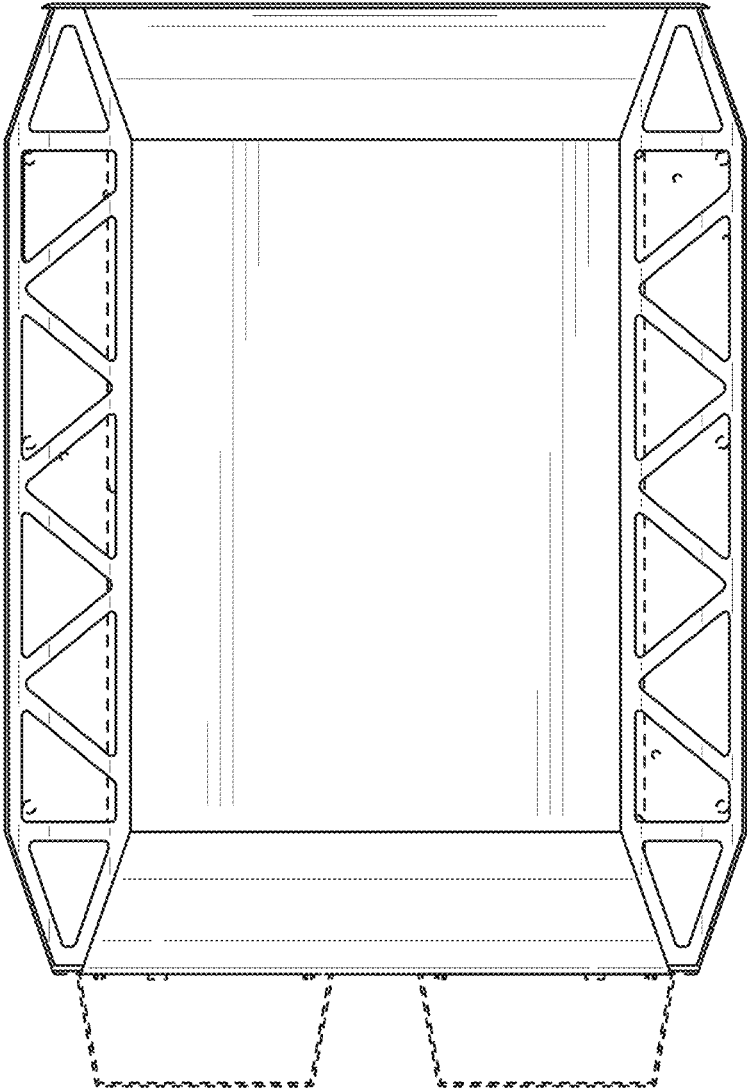


FIG. 2

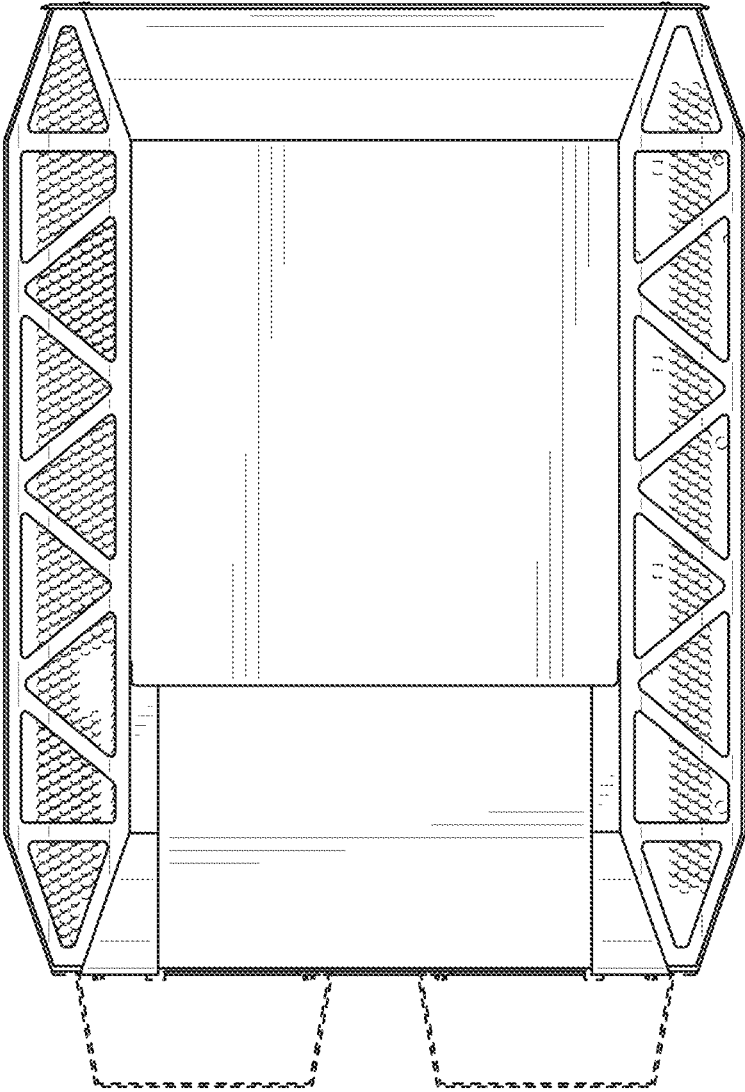


FIG. 3

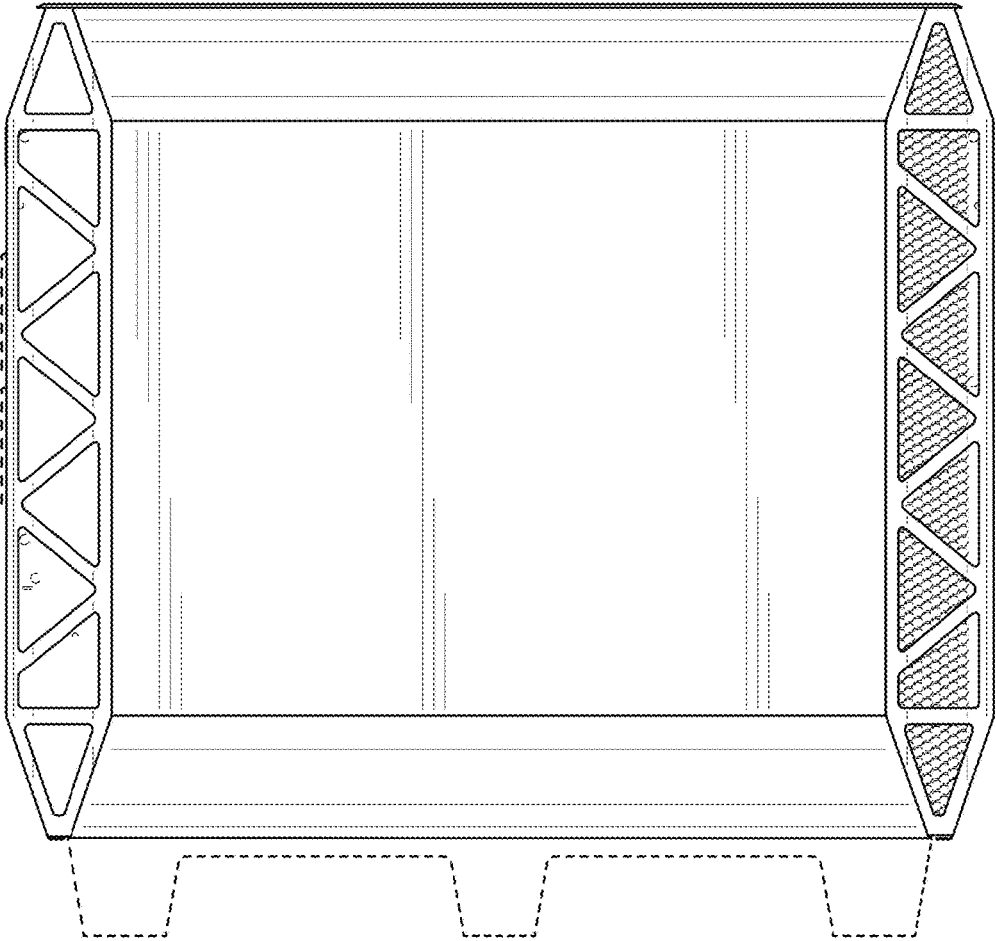


FIG. 4

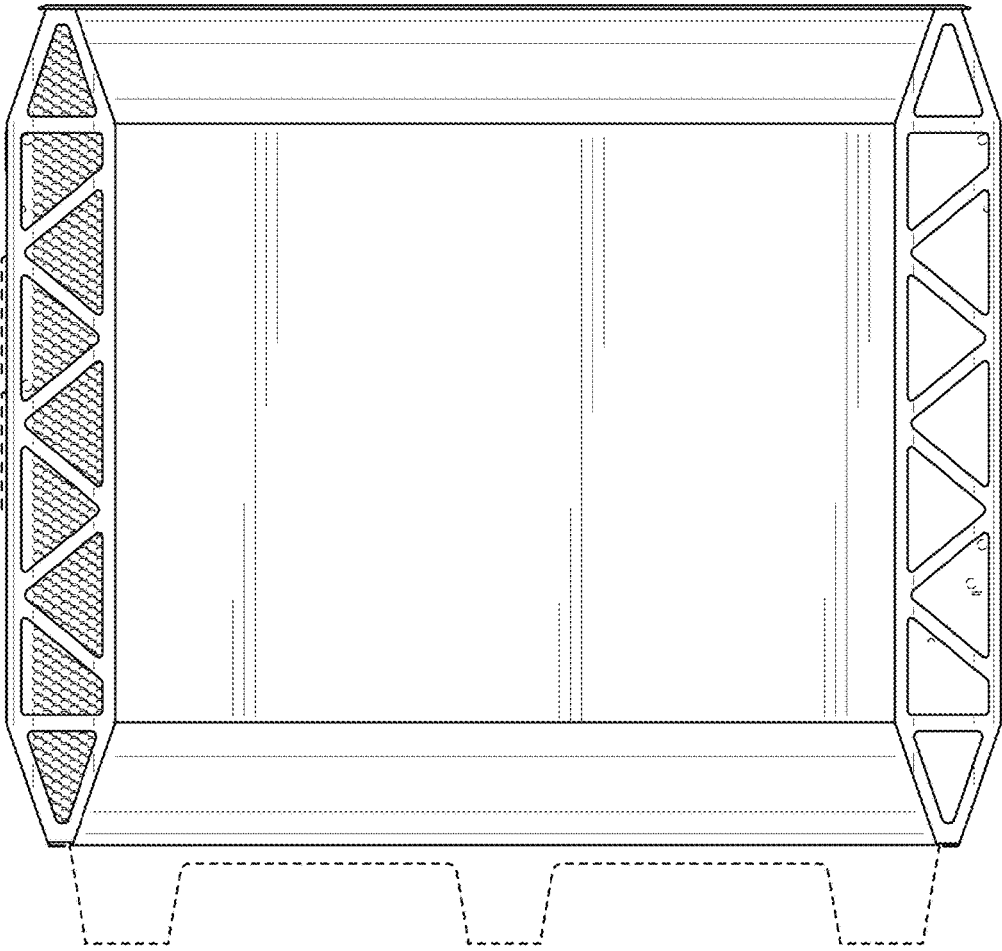


FIG. 5

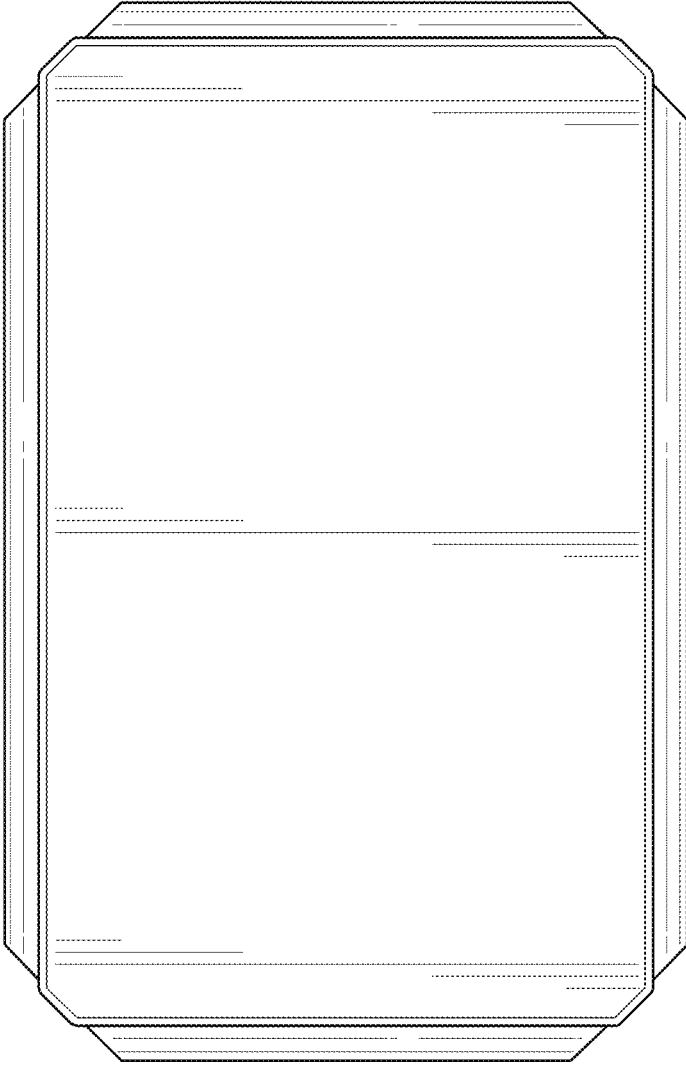


FIG. 6

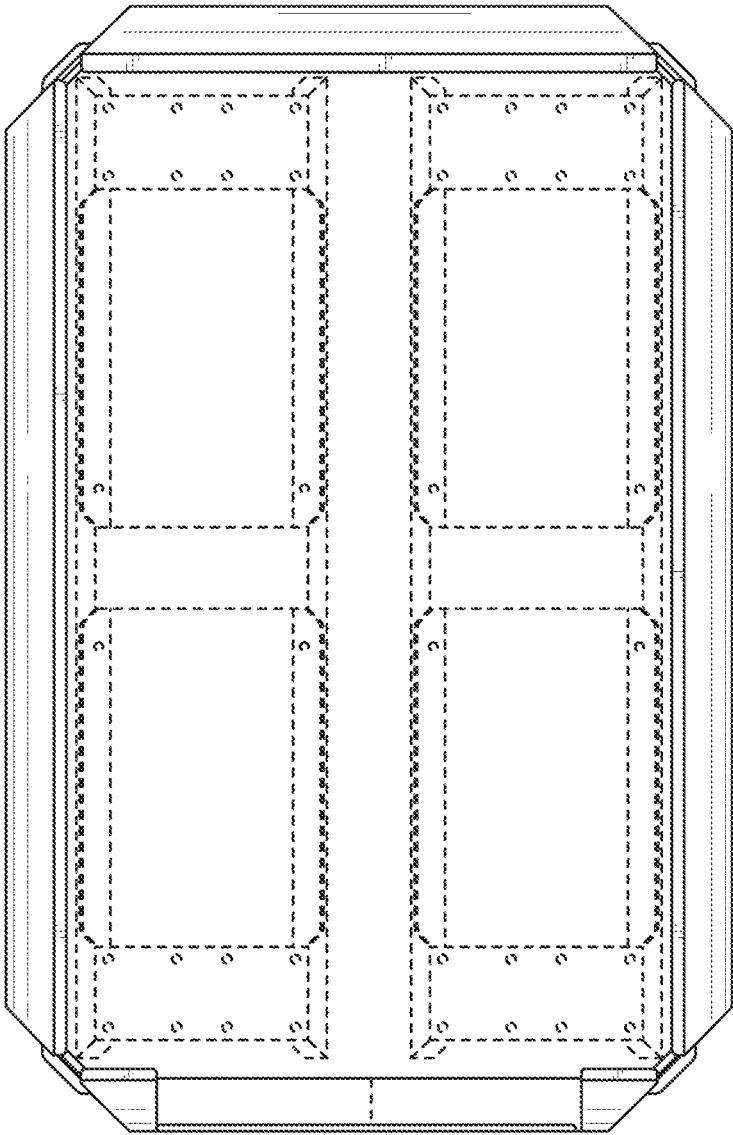


FIG. 7