



- (51) International Patent Classification:
G08B 17/113 (2006.01)
- (21) International Application Number:
PCT/EP2016/059931
- (22) International Filing Date:
03 May 2016 (03.05.2016)
- (25) Filing Language: English
- (26) Publication Language: English
- (71) Applicant: **AUTRONICA FIRE & SECURITY AS**
[NO/NO]; Haakon VII's gate 4, 7041 Trondheim (NO).
- (72) Inventors: **PEDERSEN, Ole Martin**; Haakon VII's gt 4, 7041 Trondheim (NO). **BUAAS-HANSEN, Fredleif**; Haakon VII's gt 4, 7041 Trondheim (NO). **VANNEBO, Per Johan**; Haakon VII's gt 4, 7041 Trondheim (NO).
- (74) Agent: **TAYLOR, Adam**; St Bride's House, 10 Salisbury Square, London Greater London EC4Y 8JD (GB).

MW, MX, MY, MZ, NA, NG, NI, NO, NZ, OM, PA, PE, PG, PH, PL, PT, QA, RO, RS, RU, RW, SA, SC, SD, SE, SG, SK, SL, SM, ST, SV, SY, TH, TJ, TM, TN, TR, TT, TZ, UA, UG, US, UZ, VC, VN, ZA, ZM, ZW.

(84) Designated States (*unless otherwise indicated, for every kind of regional protection available*): ARIPO (BW, GH, GM, KE, LR, LS, MW, MZ, NA, RW, SD, SL, ST, SZ, TZ, UG, ZM, ZW), Eurasian (AM, AZ, BY, KG, KZ, RU, TJ, TM), European (AL, AT, BE, BG, CH, CY, CZ, DE, DK, EE, ES, FI, FR, GB, GR, HR, HU, IE, IS, IT, LT, LU, LV, MC, MK, MT, NL, NO, PL, PT, RO, RS, SE, SI, SK, SM, TR), OAPI (BF, BJ, CF, CG, CI, CM, GA, GN, GQ, GW, KM, ML, MR, NE, SN, TD, TG).

Published:
— with international search report (Art. 21(3))

- (81) Designated States (*unless otherwise indicated, for every kind of national protection available*): AE, AG, AL, AM, AO, AT, AU, AZ, BA, BB, BG, BH, BN, BR, BW, BY, BZ, CA, CH, CL, CN, CO, CR, CU, CZ, DE, DK, DM, DO, DZ, EC, EE, EG, ES, FI, GB, GD, GE, GH, GM, GT, HN, HR, HU, ID, IL, IN, IR, IS, JP, KE, KG, KN, KP, KR, KZ, LA, LC, LK, LR, LS, LU, LY, MA, MD, ME, MG, MK, MN,

(54) Title: FIRE DETECTOR MOUNTING ASSEMBLY AND METHOD

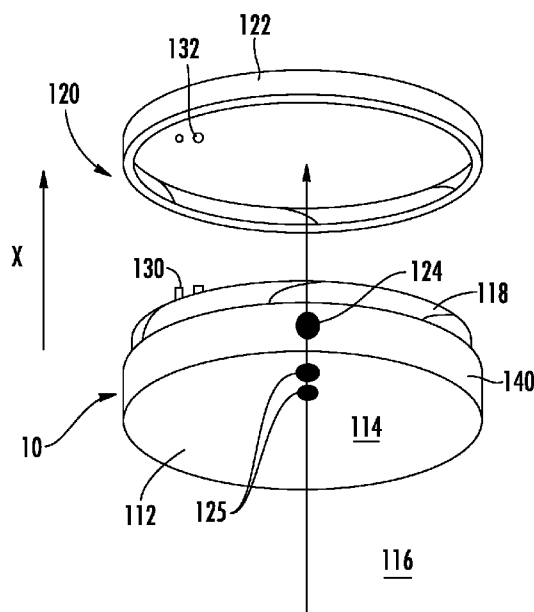


FIG. 3

(57) Abstract: A fire detector mounting assembly includes a housing having a first electrical connector device disposed on an engagement side of the housing. The assembly also includes a socket operatively coupleable to the housing, the socket having a second electrical connector device axially engageable with the first electrical connector device to electrically connect the housing and the socket. The assembly further includes a housing collar located at a radially outer location of the housing, the housing collar independently rotatable relative to the rest of the housing.



FIRE DETECTOR MOUNTING ASSEMBLY AND METHOD

BACKGROUND OF THE DISCLOSURE

[0001] The embodiments described herein generally relate to fire detectors and, more particularly, to a mounting assembly for a fire detector, as well as a method of mounting the fire detector.

[0002] The ability to detect the presence of fire provides for the safety of occupants and property. Fire detectors are commonly employed to monitor environments for safety and/or damage concerns. If detection of a safety and/or damage concern arises, the fire detector generates an alert, typically audibly, to warn individuals in or near the environment and to alert emergency response personnel of the issue.

[0003] Fire detectors are typically connected to a wall or ceiling mounted detector socket by angular rotation. Such a mounting assembly typically requires rotation of the entire detector housing when mating with the socket. This radial mating principle limits the connecting strategies available for electrically connecting the socket and detector. An inexpensive assembly and method for connecting the detector and socket, as well as an option for easily adding more electrical connections, when needed, would be well received in the art.

BRIEF DESCRIPTION OF THE DISCLOSURE

[0004] According to one embodiment, a fire detector mounting assembly includes a housing having a first electrical connector device disposed on an engagement side of the housing. The assembly also includes a socket operatively coupleable to the housing, the socket having a second electrical connector device axially engageable with the first electrical connector device to electrically connect the housing and the socket. The assembly further includes a housing collar located at a radially outer location of the housing, the housing collar independently rotatable relative to the rest of the housing.

[0005] In addition to one or more of the features described above, or as an alternative, further embodiments may include that rotation of the housing collar interacts with the socket to axially displace the housing to a final assembled condition.

[0006] In addition to one or more of the features described above, or as an alternative, further embodiments may include that the housing collar comprises a bayonet ring engageable with the socket.

[0007] In addition to one or more of the features described above, or as an alternative, further embodiments may include that the socket comprises a bayonet ring engageable with the housing collar.

[0008] In addition to one or more of the features described above, or as an alternative, further embodiments may include that the housing collar and the socket each include corresponding threads engageable with each other to couple the housing to the socket.

[0009] In addition to one or more of the features described above, or as an alternative, further embodiments may include that the first electrical connector device comprises a plurality of pin headers and the second electrical connector device comprises a plurality of electrical board receptacles, each of the electrical board receptacles configured to axially receive one of the plurality of pin headers.

[0010] In addition to one or more of the features described above, or as an alternative, further embodiments may include that the first electrical connector device comprises a plurality of electrical board receptacles and the second electrical connector device comprises a plurality of pin headers, each of the electrical board receptacles configured to axially receive one of the plurality of pin headers.

[0011] According to another embodiment, a method of mounting a fire detector includes rotating a housing to an alignment position relative to a socket configured to couple to the housing. The method also includes axially displacing the housing into the socket to an initial engagement position when the housing is in the

alignment position. The method further includes rotating a housing collar of the housing independently of the rest of the housing to couple the housing to the socket and to the final engagement position of the housing and the socket.

[0012] In addition to one or more of the features described above, or as an alternative, further embodiments may include that the first electrical connector device is axially displaced into engagement with the second electrical connector device during rotation of the housing collar.

[0013] In addition to one or more of the features described above, or as an alternative, further embodiments may include that the first electrical connector device and the second electrical connector device are not rotated during independent rotation of the housing collar.

[0014] In addition to one or more of the features described above, or as an alternative, further embodiments may include that the housing collar comprises a bayonet ring engageable with the socket.

[0015] In addition to one or more of the features described above, or as an alternative, further embodiments may include that the housing collar comprises threads engageable with corresponding threads disposed on the socket.

[0016] In addition to one or more of the features described above, or as an alternative, further embodiments may include that rotation of the housing collar axially displaces the housing to a final assembled condition comprising electrical connection between the first electrical connector device and the second electrical connector device, the final assembled condition further comprising coupling of the housing to the socket.

BRIEF DESCRIPTION OF THE DRAWINGS

[0017] The subject matter which is regarded as the disclosure is particularly pointed out and distinctly claimed in the claims at the conclusion of the specification. The foregoing and other features and advantages of the disclosure are apparent from

the following detailed description taken in conjunction with the accompanying drawings in which:

[0018] FIG. 1 is a perspective view of a fire detector mounting assembly in a first assembly condition according to the prior art;

[0019] FIG. 2 is a perspective view of the fire detector mounting assembly of FIG. 1 in a second assembly condition;

[0020] FIG. 3 is a perspective view of a fire detector mounting assembly in a first assembly condition according to an aspect of the disclosure;

[0021] FIG. 4 is a perspective view of the fire detector mounting assembly of FIG. 3 in a second assembly condition; and

[0022] FIG. 5 is a perspective view of electrical connecting devices of the fire detector mounting assembly of FIGS. 3 and 4.

DETAILED DESCRIPTION OF THE DISCLOSURE

[0023] Referring to FIGS. 1 and 2, a prior art fire detector is illustrated and generally referenced with numeral 10. The fire detector 10 includes a housing 12 that at least partially encloses internal components of the fire detector 10. The housing 12 includes an exposed surface 14 that is an exterior surface of the housing 12 exposed to an environment 16 that the fire detector 10 is configured to monitor. In particular, the fire detector 10 is configured to detect heat, smoke, and/or other conditions that are indicative of a safety and/or damage concern to the environment 16.

[0024] A mounting assembly 20 for the fire detector 10 is provided and includes a socket 22 to be mated to the housing 12. As shown, the housing 12 is axially displaced in direction A toward the socket 22 (FIG. 1). Once in a desired position, the entire housing 12 is rotated in direction B to couple the housing 12 to the socket 22 (FIG. 2). Visual indicators 24 that are merely provided for illustrative

purposes evidence rotation of many parts or the entirety of the housing 12 during coupling of the housing 12 to the socket 22.

[0025] Referring now to FIGS. 3 and 4, a mounting assembly 120 for a fire detector 110 according to the embodiments of the present disclosure is illustrated. A detector housing 112 at least partially encloses internal components, including a detector head 118, of the fire detector 110. The housing 112 includes an exposed surface 114 that is an exterior surface of the housing 112 exposed to an environment 116 that the fire detector 110 is configured to monitor. In particular, the fire detector 110 is configured to detect heat, smoke, and/or other conditions that are indicative of a safety and/or damage concern to the environment 116. The fire detector 110 may be a single detector used in a residential or commercial setting, or may be part of a safety system that includes a plurality of fire detectors. In some embodiments, such a system may include more than 10,000 fire detectors.

[0026] A socket 122 is provided to be mated to the housing 112. The fire detector head 118 includes at least one, but typically a plurality of first electrical connecting devices 130 to be electrically connected to at least one, but typically a plurality of second electrical connecting devices 132 disposed on an engagement side 134 of the socket 122, as shown in FIG. 5.

[0027] The housing 112 is placed into close proximity with the socket 122 and rotated until a desired alignment position is attained. In the alignment position, the housing 112 is axially displaced in direction X (FIG. 3) slightly to provide an initial engagement of the housing 112 and socket 122. For example, the slight axial displacement of the housing 112 may be 1-5 millimeters. Once the initial engagement position of the housing 112 and socket 122 is reached, a housing collar 140 is operated to electrically connect the first and second electrical connecting devices 130, 132 in an axial manner, as will be described in detail herein. By electrically connecting the first and second electrical connecting devices 130, 132 axially, less expensive and less complex electrical devices may be employed. For example, pin headers and board-to-board connectors may be employed to electrically connect the

fire detector 110 with the socket 122. In some embodiments, the first electrical connecting device(s) 130 are pin headers and the second electrical connecting device(s) 132 are electrical board receptacles. In alternative embodiments, the reverse is the case, where the first electrical connecting device(s) 130 are electrical board receptacles and the second electrical connecting device(s) 132 are pin headers. The preceding example of electrical connecting devices is merely illustrative and not limiting of other contemplated devices.

[0028] Elimination of rotation of the overall housing 112, and therefore the electrical connecting devices 130, 132, is facilitated by the inclusion of a housing collar 140 that is independently rotatable in direction Y relative to the remainder of the housing 112 (FIG. 4). The housing collar 140 is located at a radially outer location of the housing 112 and is configured to engage the socket 122 in a manner that allows for coupling of the housing 112 to the socket 122 without rotating the housing 112 as a whole. Visual indicators 124, 125 that are merely provided for illustrative purposes evidence independent rotation of the housing collar 140 relative to the rest of the housing 112 during coupling of the housing 112 to the socket 122. In particular, indicator 124 is shown on the housing collar 140 and rotation of the housing collar 140 between the positions shown in FIGS 1 and 2 does not result in rotation of the housing 112, as evidenced by indicators 125. Therefore, the housing 112 and electrical connecting devices 130, 132 do not rotate during axial coupling.

[0029] The housing collar 140 is only independently rotatable when in an unlocked position that occurs once the housing 112 is disposed in the above-described initial axial engagement position with the socket 122 (i.e., subsequent to attaining the alignment position). Independent rotation of the housing collar 140 axially displaces the housing 112 to cause the first and second electrical connecting devices 130, 132 to axially engage each other in a mating manner, while not requiring rotation of the electrical connecting devices 130, 132 or the housing 112. In some embodiments, the housing collar 140 is rotated to a stop position that includes an indicator to an operator. For example, an audible click may be provided to confirm to the operator that the housing 112 and socket 122 are in a final axial engagement position. In some

embodiments, the housing collar 140 is independently rotatable over a range of about 40 degrees to about 50 degrees, and in some embodiments the housing collar 140 is rotated about 44 degrees to the final stop position.

[0030] In some embodiments, the housing collar 140 is a bayonet ring engageable with one or more features on the socket 122 to couple the housing 112 to the socket 122. In particular, a substantially L-shaped slot is provided on either the housing collar 140 or the socket 122 and is configured to receive one or more protrusions therein to axially retain the housing 112 and socket 122 upon rotation of the housing collar 140 to a desired location. Alternatively, a conventional threaded arrangement is contemplated. In such an arrangement, the socket 122 and housing collar 140 include corresponding respective threads engageable with each other.

[0031] Regardless of the precise structural feature that facilitates independent rotation of the housing collar 140 relative to the rest of the housing 112, rotation of the housing collar 140 interacts with the socket to axially displace the housing 112 to a final assembled condition with the socket 122. In operation, the housing 112 is axially displaced to engage the first and second electrical connecting devices 130, 132 to a first axial engagement location prior to rotating the housing collar 140. Subsequently, the housing collar 140 is independently rotated to ensure coupling of the housing 112 and socket 122, and to ensure electrical connection between the electrical connecting devices 130, 132.

[0032] Advantageously, the electrical connecting devices 130, 132 are mated solely in an axial direction due to ability of the devices to avoid rotation during rotation of the housing collar 140. Such a mounting assembly provides inexpensive options for establishing the electrical connection between the fire detector 110 and the socket 122. Additionally, configuration flexibility is provided by easily allowing additional connections, as needed.

[0033] The use of the terms “a” and “an” and “the” and similar referents in the context of the present disclosure (especially in the context of the following claims) are to be construed to cover both the singular and the plural, unless otherwise indicated

herein or clearly contradicted by context. Further, it should further be noted that the terms “first,” “second,” and the like herein do not denote any order, quantity, or importance, but rather are used to distinguish one element from another. The modifier “about” used in connection with a quantity is inclusive of the stated value and has the meaning dictated by the context (e.g., it includes the degree of error associated with measurement of the particular quantity).

[0034] While the disclosure has been described in detail in connection with only a limited number of embodiments, it should be readily understood that the disclosure is not limited to such disclosed embodiments. Rather, the disclosure can be modified to incorporate any number of variations, alterations, substitutions or equivalent arrangements not heretofore described, but which are commensurate with the spirit and scope of the disclosure. Additionally, while various embodiments of the disclosure have been described, it is to be understood that aspects of the disclosure may include only some of the described embodiments. Accordingly, the disclosure is not to be seen as limited by the foregoing description, but is only limited by the scope of the appended claims.

CLAIMS:

What is claimed is:

1. A fire detector mounting assembly comprising:
 - a housing having a first electrical connector device disposed on an engagement side of the housing;
 - a socket operatively coupleable to the housing, the socket having a second electrical connector device axially engageable with the first electrical connector device to electrically connect the housing and the socket; and
 - a housing collar located at a radially outer location of the housing, the housing collar independently rotatable relative to the rest of the housing.
2. The fire detector mounting assembly of claim 1, wherein rotation of the housing collar interacts with the socket to axially displace the housing to a final assembled condition.
3. The fire detector mounting assembly of claim 1 or 2, wherein the housing collar comprises a bayonet ring engageable with the socket.
4. The fire detector mounting assembly of claim 1 or 2, wherein the socket comprises a bayonet ring engageable with the housing collar.
5. The fire detector mounting assembly of claim 1 or 2, wherein the housing collar and the socket each include corresponding threads engageable with each other to couple the housing to the socket.
6. The fire detector mounting assembly of any of the preceding claims, wherein the first electrical connector device comprises a plurality of pin headers and the second electrical connector device comprises a plurality of electrical board receptacles, each of the electrical board receptacles configured to axially receive one of the plurality of pin headers.

7. The fire detector mounting assembly of any of claims 1-5, wherein the first electrical connector device comprises a plurality of electrical board receptacles and the second electrical connector device comprises a plurality of pin headers, each of the electrical board receptacles configured to axially receive one of the plurality of pin headers.

8. A method of mounting a fire detector comprising:

rotating a housing to an alignment position relative to a socket configured to couple to the housing;

axially displacing the housing into the socket to an initial engagement position when the housing is in the alignment position; and

rotating a housing collar of the housing independently of the rest of the housing to couple the housing to the socket and to final engagement position of the housing and the socket.

9. The method of claim 8, wherein the first electrical connector device is axially displaced into engagement with the second electrical connector device during rotation of the housing collar.

10. The method of any of claims 8 or 9, wherein the first electrical connector device and the second electrical connector device are not rotated during independent rotation of the housing collar.

11. The method of any of claims 8-10, wherein the housing collar comprises a bayonet ring engageable with the socket.

12. The method of any of claims 8-10, wherein the housing collar comprises threads engageable with corresponding threads disposed on the socket.

13. The method of any of claims 8-12, wherein rotation of the housing collar axially displaces the housing to a final assembled condition comprising electrical connection between the first electrical connector device and the second

electrical connector device, the final assembled condition further comprising coupling of the housing to the socket.

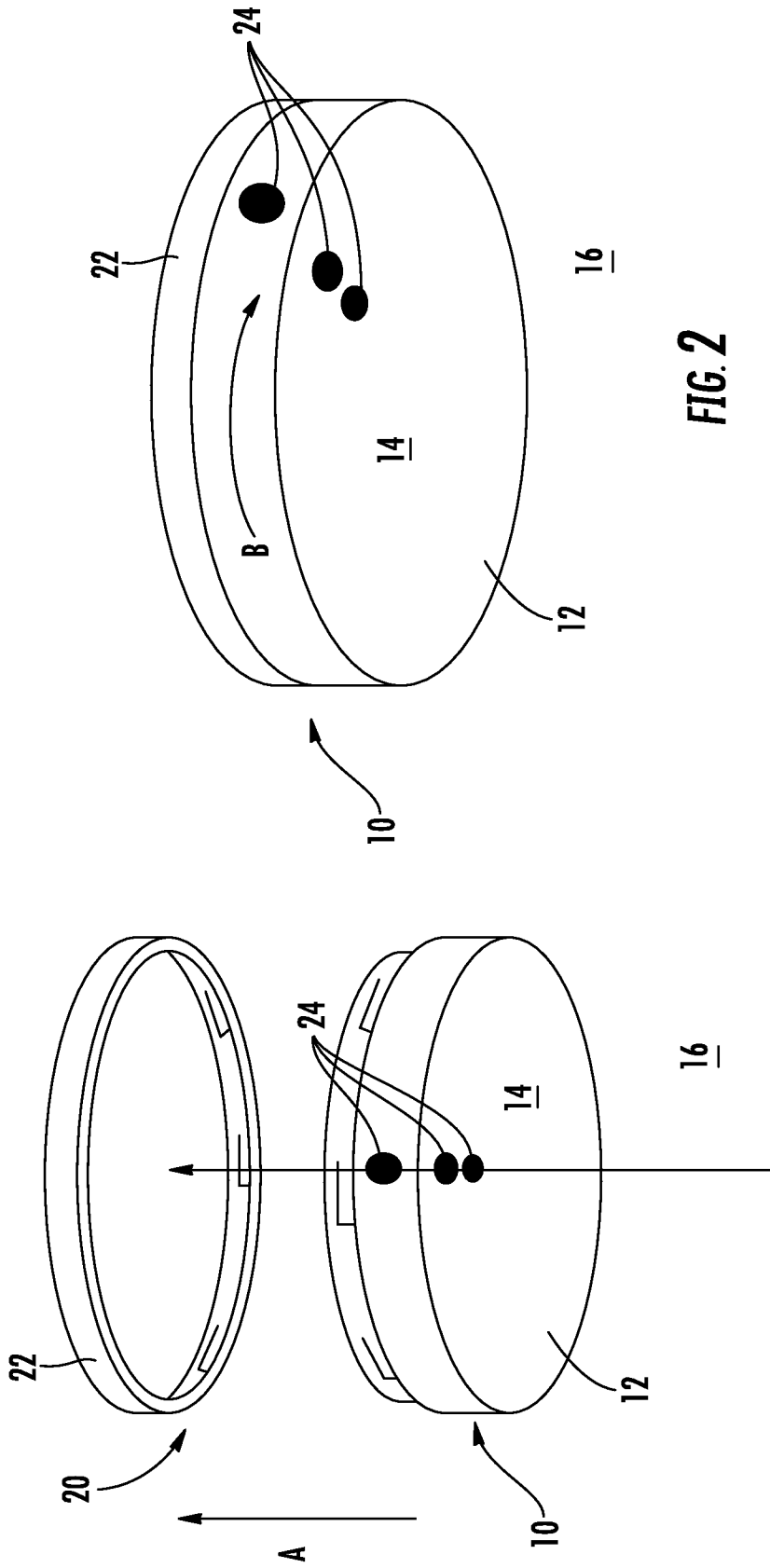


FIG. 2

FIG. 1

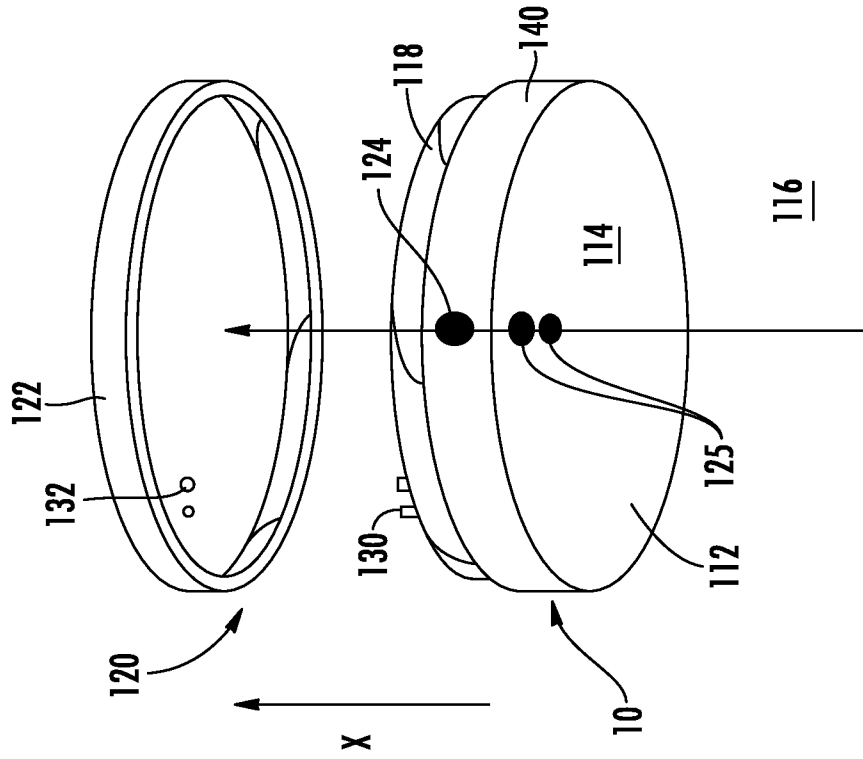


FIG. 3

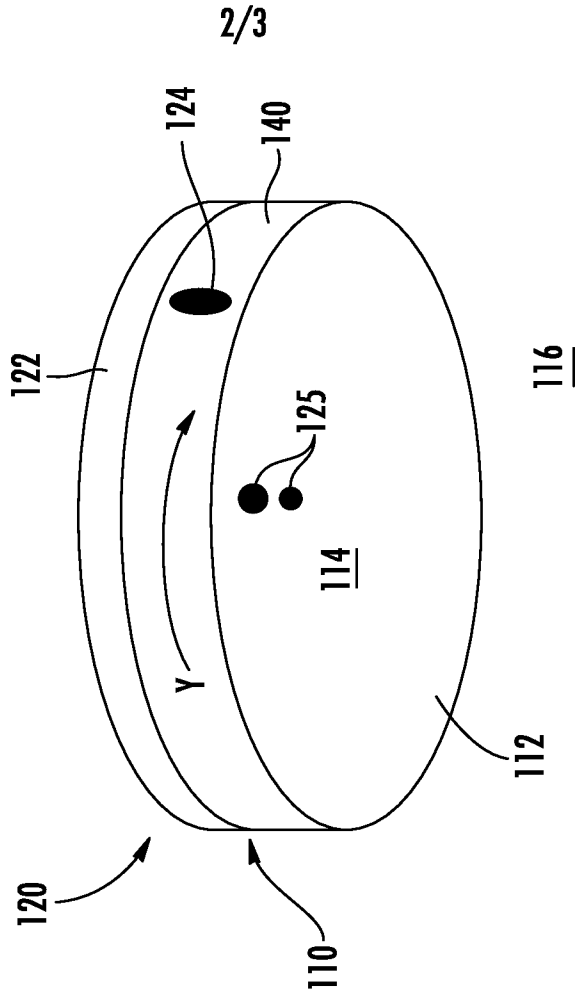


FIG. 4

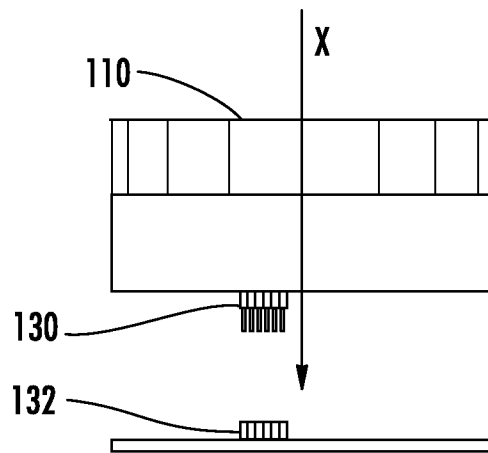


FIG. 5

INTERNATIONAL SEARCH REPORT

International application No
PCT/EP2016/059931

A. CLASSIFICATION OF SUBJECT MATTER
INV. G08B17/113
ADD.

According to International Patent Classification (IPC) or to both national classification and IPC

B. FIELDS SEARCHED
Minimum documentation searched (classification system followed by classification symbols)
G08B

Documentation searched other than minimum documentation to the extent that such documents are included in the fields searched

Electronic data base consulted during the international search (name of data base and, where practicable, search terms used)
EPO-Internal, WPI Data

C. DOCUMENTS CONSIDERED TO BE RELEVANT

Category*	Citation of document, with indication, where appropriate, of the relevant passages	Relevant to claim No.
X Y A	US 5 568 133 A (DURRER BERNHARD [CH] ET AL) 22 October 1996 (1996-10-22) column 1, line 15 - line 30 column 2, line 17 - line 51 figures 3,4	1,5 3,4,6,7 2,8
Y A	----- US 2008/246618 A1 (SIBER BERND [DE] ET AL) 9 October 2008 (2008-10-09) paragraph [0003] paragraph [0015] - paragraph [0016]	3,4,6,7 1,2,8,9
Y	----- EP 0 567 820 A1 (NOHMI BOSAI LTD [JP]) 3 November 1993 (1993-11-03) column 4, line 22 - line 56 -----	3,4

Further documents are listed in the continuation of Box C.

See patent family annex.

* Special categories of cited documents :

<p>"A" document defining the general state of the art which is not considered to be of particular relevance</p> <p>"E" earlier application or patent but published on or after the international filing date</p> <p>"L" document which may throw doubts on priority claim(s) or which is cited to establish the publication date of another citation or other special reason (as specified)</p> <p>"O" document referring to an oral disclosure, use, exhibition or other means</p> <p>"P" document published prior to the international filing date but later than the priority date claimed</p>	<p>"T" later document published after the international filing date or priority date and not in conflict with the application but cited to understand the principle or theory underlying the invention</p> <p>"X" document of particular relevance; the claimed invention cannot be considered novel or cannot be considered to involve an inventive step when the document is taken alone</p> <p>"Y" document of particular relevance; the claimed invention cannot be considered to involve an inventive step when the document is combined with one or more other such documents, such combination being obvious to a person skilled in the art</p> <p>"&" document member of the same patent family</p>
---	---

Date of the actual completion of the international search 17 January 2017	Date of mailing of the international search report 25/01/2017
---	---

Name and mailing address of the ISA/ European Patent Office, P.B. 5818 Patentlaan 2 NL - 2280 HV Rijswijk Tel. (+31-70) 340-2040, Fax: (+31-70) 340-3016	Authorized officer Bourdier, Renaud
--	---

INTERNATIONAL SEARCH REPORT

Information on patent family members

International application No PCT/EP2016/059931

Patent document cited in search report	Publication date	Patent family member(s)	Publication date
US 5568133	A	22-10-1996	NONE

US 2008246618	A1	09-10-2008	DE 102004002592 A1
			EP 1709606 A1
			JP 4083199 B2
			JP 2006520057 A
			US 2008246618 A1
			WO 2005069243 A1

EP 0567820	A1	03-11-1993	AU 660580 B2
			AU 3704193 A
			AU 6308094 A
			CA 2094737 A1
			CN 1077811 A
			DE 69311201 D1
			DE 69311201 T2
			EP 0567820 A1
			JP 3188983 B2
			JP H05303692 A
			US 5403198 A
			US 5478256 A
