



US00D910976S

(12) **United States Design Patent**
Hierholzer

(10) **Patent No.:** **US D910,976 S**

(45) **Date of Patent:** **** Feb. 23, 2021**

(54) **UNDERWEAR GARMENT**

(71) Applicant: **PIFE, Inc.**, Winter Springs, FL (US)

(72) Inventor: **Creighton Hierholzer**, Winter Springs, FL (US)

(73) Assignee: **PIFE, Inc.**, Winter Springs, FL (US)

(**) Term: **15 Years**

(21) Appl. No.: **29/688,361**

(22) Filed: **Apr. 19, 2019**

(51) **LOC (13) Cl.** **02-01**

(52) **U.S. Cl.** **D2/712**
USPC

(58) **Field of Classification Search**
USPC D2/712-714, 716, 738, 704
CPC .. A41B 9/00; A41B 9/02; A41B 9/004; A41B 9/001; A41B 9/023; A41B 9/12
See application file for complete search history.

(56) **References Cited**

U.S. PATENT DOCUMENTS

D269,919	S *	8/1983	Gabrelcik	D2/712
5,070,869	A	12/1991	Zhang		
D353,933	S *	1/1995	Michels	D2/712
D571,532	S *	6/2008	Gutierrez	D2/713
7,676,853	B1	3/2010	Cutlip		
D646,462	S	10/2011	Ellis et al.		
D651,378	S *	1/2012	Cho	D2/712
D652,197	S	1/2012	Sanchez		
D656,708	S	4/2012	Ellis		
D681,914	S	5/2013	Scott		
8,800,064	B2	8/2014	Delija		
D762,045	S	7/2016	Popp		
9,451,794	B2	9/2016	Lin		
D769,577	S *	10/2016	Valenzuela	D2/712
D822,342	S *	7/2018	Maxi	D2/712
D838,083	S *	1/2019	Lenahan	D2/711
D838,931	S *	1/2019	Yan	D2/712

D858,940	S *	9/2019	Rodriguez	D2/711
10,750,792	B2 *	8/2020	Hierholzer	A41B 9/023
D903,234	S *	12/2020	Filipowers	D2/712
2009/0106874	A1	4/2009	Shiush		
2009/0288240	A1	11/2009	Lim		

(Continued)

FOREIGN PATENT DOCUMENTS

CN	2479751	Y	3/2002
CN	201025873	Y	2/2008

(Continued)

OTHER PUBLICATIONS

Men's Hung HGG003 Boxer Trunk Underwear , posted 2020 [online], (retrieved Dec. 29, 2020). Retrieved from the internet, <https://www.etsy.com/listing/897812005/mens-hung-hgg003-boxer-trunk-navy?ref=related-3&pro=1&frs=1> (Year: 2020).*

(Continued)

Primary Examiner — Kevin K Rudzinski
Assistant Examiner — J. Thorn, Sr.
(74) *Attorney, Agent, or Firm* — Darrin A. Auito; HEA Law, PLLC

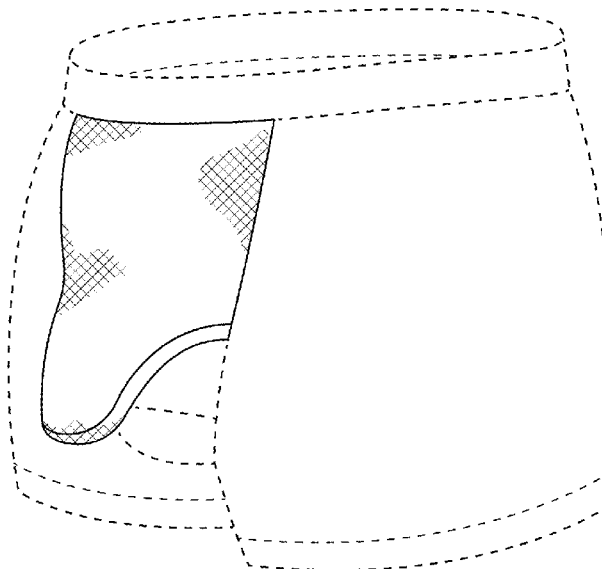
(57) **CLAIM**

The ornamental design for an underwear garment, as shown and described.

DESCRIPTION

FIG. 1 is a perspective view of an underwear garment; FIG. 2 is a front side view thereof; FIG. 3 is a back side view thereof; FIG. 4 is a left side view thereof; and, FIG. 5 is a right side view thereof. The broken lines shown in the drawings depict portions of the underwear garment that form no part of the claimed design.

1 Claim, 5 Drawing Sheets



(56)

References Cited

U.S. PATENT DOCUMENTS

2012/0167279 A1* 7/2012 Bigney A41B 9/02
2/401
2016/0242470 A1 8/2016 Xhabija
2019/0320728 A1* 10/2019 Hierholzer A41B 9/023

FOREIGN PATENT DOCUMENTS

CN 100534340 C 9/2009
CN 301058379 11/2009
CN 101779831 A 7/2010
CN 301943926 6/2012
CN 202375045 U 8/2012
CN 302167503 11/2012
CN 302193286 11/2012
CN 102860590 A 1/2013
CN 202680491 U 1/2013
CN 203986144 U 12/2014
CN 204132408 U 2/2015
CN 204245161 U 4/2015
CN 303146284 4/2015
CN 303146285 4/2015
CN 303162287 4/2015
CN 303200803 5/2015
CN 204579900 U 8/2015
CN 303371168 9/2015

CN 303581267 2/2016
CN 303636836 4/2016
CN 205285013 U 6/2016
CN 303694851 6/2016
CN 304178025 6/2016
CN 303747906 7/2016
CN 303758344 8/2016
CN 303758405 8/2016
CN 205567828 U 9/2016
CN 205671486 U 11/2016
CN 303908479 11/2016
CN 303914610 11/2016
CN 304049761 2/2017
CN 304189399 6/2017
CN 304189400 6/2017
CN 206294900 U 7/2017

OTHER PUBLICATIONS

Summer Code Mens Sexy Micro Mesh Briefs Soft Breathable Bulge Pouch Underwear, posted 2017 [online], (retrieved Dec. 29, 2020). Retrieved from the internet, https://www.amazon.com/Summer-Code-Briefs-Breathable-Underwear/dp/B0758FZZJ1/ref=pd_day0_13?pd_rd_w=3mZll&pf_rd_p=ecf748b5-e796-4a%E2%80%A6 (Year: 2017).*

* cited by examiner

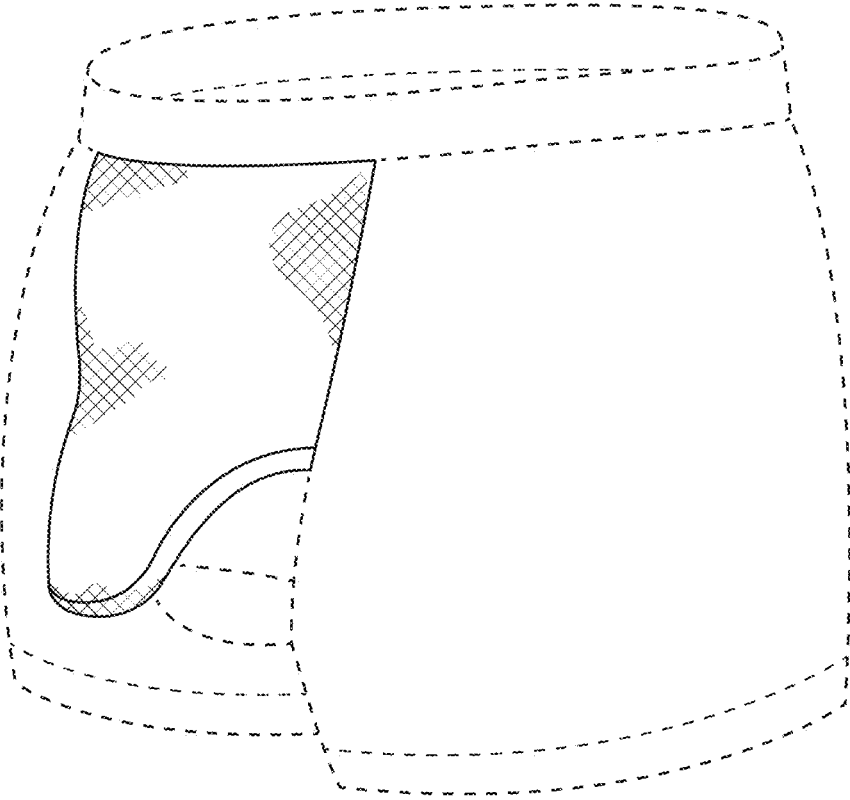


Fig. 1

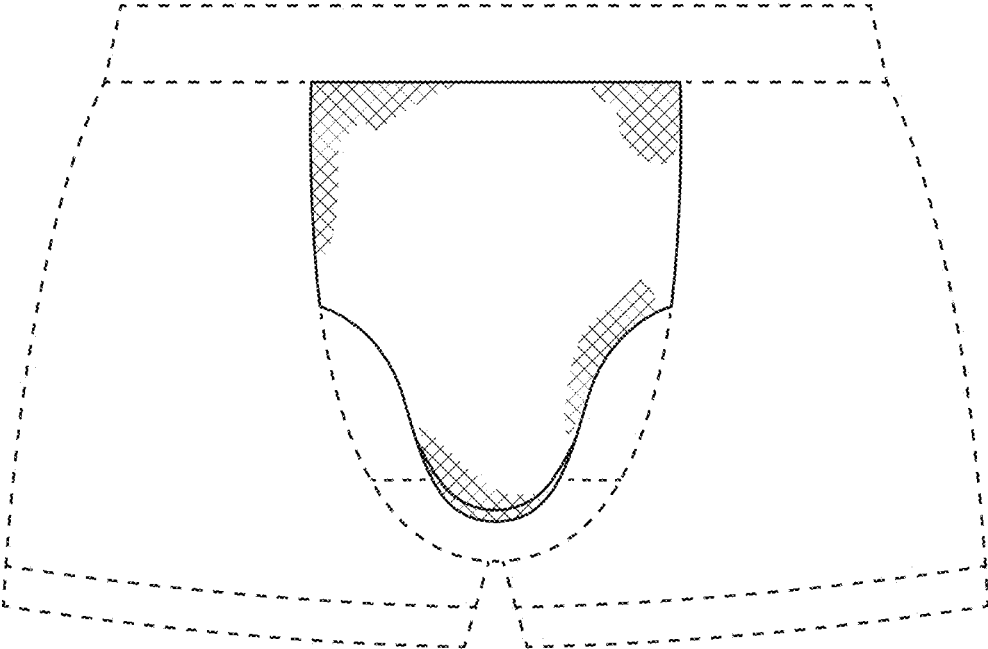


Fig. 2

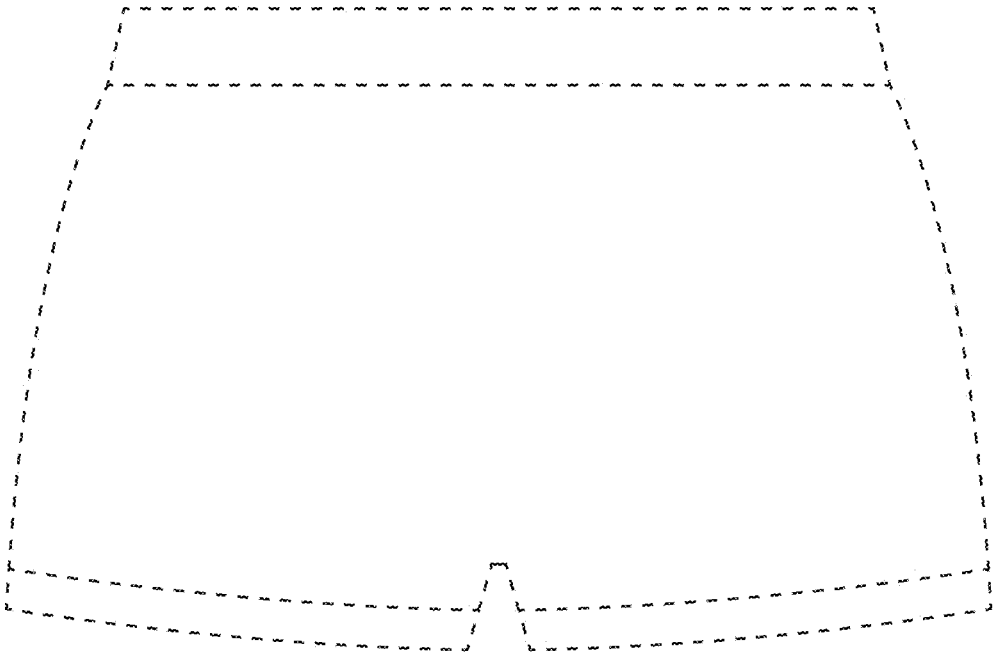


Fig. 3

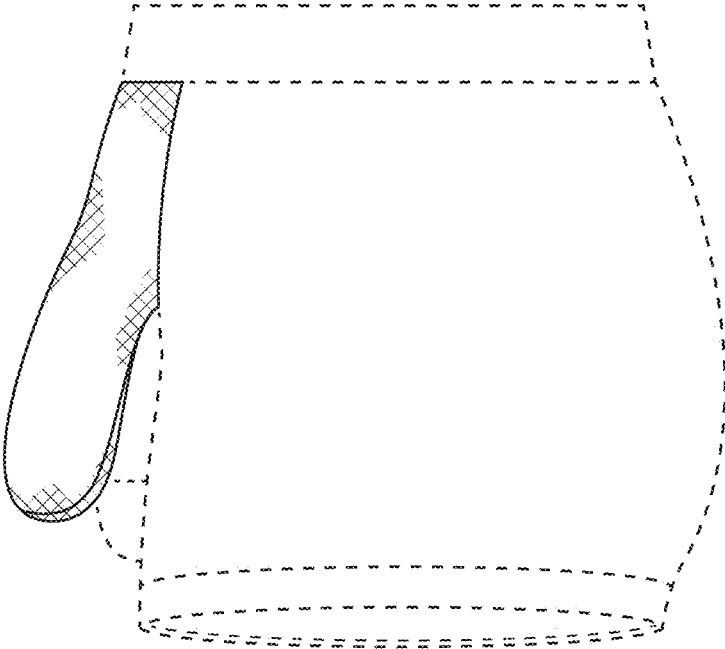


Fig. 4

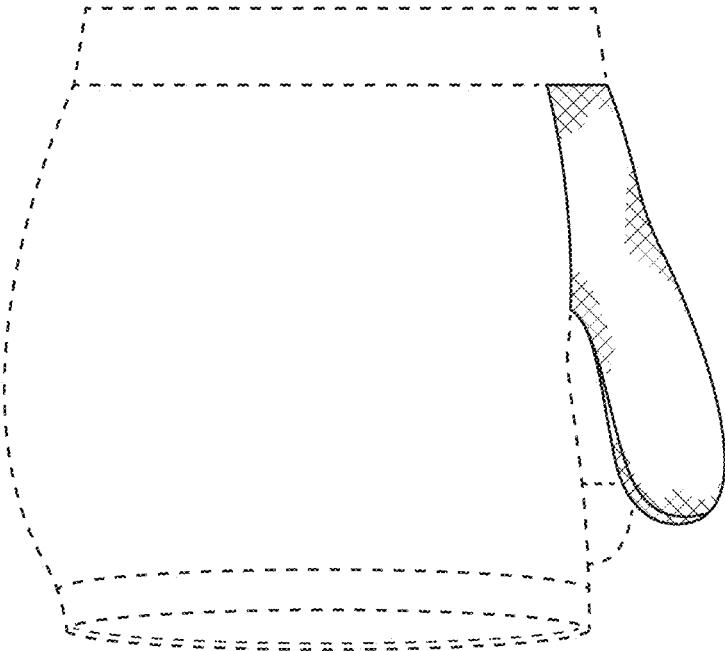


Fig. 5