

(19) World Intellectual Property Organization
International Bureau



(43) International Publication Date
26 July 2007 (26.07.2007)

PCT

(10) International Publication Number
WO 2007/082594 A3

- (51) International Patent Classification:
B25J 9/10 (2006.01) *F16H 49/00* (2006.01)
- (21) International Application Number:
PCT/EP2006/068274
- (22) International Filing Date:
9 November 2006 (09.11.2006)
- (25) Filing Language: English
- (26) Publication Language: English
- (30) Priority Data:
60/760,375 20 January 2006 (20.01.2006) US
- (71) Applicant (for all designated States except US): **ABB AB**
[SE/SE]; Kopparbergsvägen 2, SE-721 83 Västerås (SE).
- (72) Inventors; and
- (75) Inventors/Applicants (for US only): **KULLBORG, Ove** [SE/SE]; Fimbulsvägen 10, SE-722 31 Västerås (SE). **ODE, Ove** [SE/SE]; Stensbovägen 10, SE-724 75 Västerås (SE). **BROGÅRDH, Torgny** [SE/SE]; Plåtverksgatan 140, SE-724 79 Västerås (SE).
- (74) Agent: **ABB AB**; Legal Affairs and Compliance, Intellectual Property, Forskargränd 7, SE-721 78 Västerås (SE).
- (81) Designated States (unless otherwise indicated, for every kind of national protection available): AE, AG, AL, AM,

AT, AU, AZ, BA, BB, BG, BR, BW, BY, BZ, CA, CH, CN, CO, CR, CU, CZ, DE, DK, DM, DZ, EC, EE, EG, ES, FI, GB, GD, GE, GH, GM, GT, HN, HR, HU, ID, IL, IN, IS, JP, KE, KG, KM, KN, KP, KR, KZ, LA, LC, LK, LR, LS, LT, LU, LV, LY, MA, MD, MG, MK, MN, MW, MX, MY, MZ, NA, NG, NI, NO, NZ, OM, PG, PH, PL, PT, RO, RS, RU, SC, SD, SE, SG, SK, SL, SM, SV, SY, TJ, TM, TN, TR, TT, TZ, UA, UG, US, UZ, VC, VN, ZA, ZM, ZW.

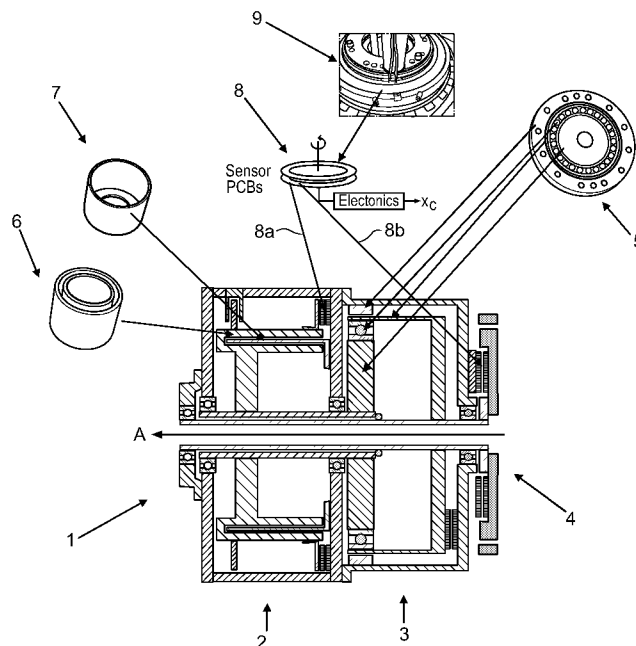
(84) Designated States (unless otherwise indicated, for every kind of regional protection available): ARIPO (BW, GH, GM, KE, LS, MW, MZ, NA, SD, SL, SZ, TZ, UG, ZM, ZW), Eurasian (AM, AZ, BY, KG, KZ, MD, RU, TJ, TM), European (AT, BE, BG, CH, CY, CZ, DE, DK, EE, ES, FI, FR, GB, GR, HU, IE, IS, IT, LT, LU, LV, MC, NL, PL, PT, RO, SE, SI, SK, TR), OAPI (BF, BJ, CF, CG, CI, CM, GA, GN, GQ, GW, ML, MR, NE, SN, TD, TG).

Published:
— with international search report
— before the expiration of the time limit for amending the claims and to be republished in the event of receipt of amendments

(88) Date of publication of the international search report:
1 November 2007

For two-letter codes and other abbreviations, refer to the "Guidance Notes on Codes and Abbreviations" appearing at the beginning of each regular issue of the PCT Gazette.

(54) Title: DRIVE UNIT COMPRISING AN ELECTRIC ROTATING ACTUATOR AND A WAVE GEAR SPEED REDUCER



(57) Abstract: The invention relates to a drive unit 1 comprising an electric rotating actuator with a stator 7 and a rotor 6. The drive unit further comprises a speed reducer 5. The speed reducer 5 comprises a wave generator 20 and a flex spline 22. The stator 7, the rotor 6, the wave generator 20 and the flex spline 22 are designed with an centre opening and are all arranged integrated in a common housing 1a such that a tubular passage 31, 59, 82a is provided for through the common housing 1a.

WO 2007/082594 A3

INTERNATIONAL SEARCH REPORT

International application No

PCT/EP2006/068274

A. CLASSIFICATION OF SUBJECT MATTER

INV. B25J9/10 F16H49/00

According to International Patent Classification (IPC) or to both national classification and IPC

B. FIELDS SEARCHED

Minimum documentation searched (classification system followed by classification symbols)

F16H B25J H02K

Documentation searched other than minimum documentation to the extent that such documents are included in the fields searched

Electronic data base consulted during the international search (name of data base and, where practical, search terms used)

EPO-Internal, WPI Data

C. DOCUMENTS CONSIDERED TO BE RELEVANT

Category*	Citation of document, with indication, where appropriate, of the relevant passages	Relevant to claim No.
X	US 2002/135241 A1 (KOBAYASHI YUKITOSHI [JP] ET AL) 26 September 2002 (2002-09-26) abstract; figure 1 paragraph [0016] paragraphs [0019], [0020] paragraph [0023]	1-3,7,8, 11-14, 16,17, 19,20
Y	-----	4,15,18
Y	US 5 497 041 A (KONDOH MASATOSHI [JP] ET AL) 5 March 1996 (1996-03-05) abstract; figures 1,2	4
Y	US 4 398 110 A (FLINCHBAUGH DAVID E ET AL) 9 August 1983 (1983-08-09) abstract; figure 2 column 4, line 12 - line 32 ----- -/--	15,18

 Further documents are listed in the continuation of Box C. See patent family annex.

* Special categories of cited documents :

- *A* document defining the general state of the art which is not considered to be of particular relevance
- *E* earlier document but published on or after the international filing date
- *L* document which may throw doubts on priority claim(s) or which is cited to establish the publication date of another citation or other special reason (as specified)
- *O* document referring to an oral disclosure, use, exhibition or other means
- *P* document published prior to the international filing date but later than the priority date claimed

- *T* later document published after the international filing date or priority date and not in conflict with the application but cited to understand the principle or theory underlying the invention
- *X* document of particular relevance; the claimed invention cannot be considered novel or cannot be considered to involve an inventive step when the document is taken alone
- *Y* document of particular relevance; the claimed invention cannot be considered to involve an inventive step when the document is combined with one or more other such documents, such combination being obvious to a person skilled in the art.
- *G* document member of the same patent family

Date of the actual completion of the international search

4 May 2007

Date of mailing of the international search report

17/09/2007

Name and mailing address of the ISA/

European Patent Office, P.B. 5818 Patentlaan 2
 NL - 2280 HV Rijswijk
 Tel. (+31-70) 340-2040, Tx. 31 651 epo nl,
 Fax: (+31-70) 340-3016

Authorized officer

Lumineau, Stéphane

INTERNATIONAL SEARCH REPORT

International application No

PCT/EP2006/068274

C(Continuation). DOCUMENTS CONSIDERED TO BE RELEVANT

Category*	Citation of document, with indication, where appropriate, of the relevant passages	Relevant to claim No.
X	BUSS A: "DIGITAL GEREDELTE HOHLWELLENANTRIEBE FUER WERKZEUGMASCHINEN" ANTRIEBSTECHNIK, VEREINIGTE FACHVERLAGE, MAINZ, DE, vol. 36, no. 9, September 1997 (1997-09), pages 34-35, XP000701949 ISSN: 0722-8546 the whole document -----	1-3, 16-18

INTERNATIONAL SEARCH REPORT

International application No.
PCT/EP2006/068274

Box II Observations where certain claims were found unsearchable (Continuation of item 2 of first sheet)

This International Search Report has not been established in respect of certain claims under Article 17(2)(a) for the following reasons:

1. Claims Nos.:
because they relate to subject matter not required to be searched by this Authority, namely:

2. Claims Nos.:
because they relate to parts of the International Application that do not comply with the prescribed requirements to such an extent that no meaningful International Search can be carried out, specifically:

3. Claims Nos.:
because they are dependent claims and are not drafted in accordance with the second and third sentences of Rule 6.4(a).

Box III Observations where unity of invention is lacking (Continuation of item 3 of first sheet)

This International Searching Authority found multiple inventions in this international application, as follows:

see additional sheet

1. As all required additional search fees were timely paid by the applicant, this International Search Report covers all searchable claims.
2. As all searchable claims could be searched without effort justifying an additional fee, this Authority did not invite payment of any additional fee.
3. As only some of the required additional search fees were timely paid by the applicant, this International Search Report covers only those claims for which fees were paid, specifically claims Nos.:
4. No required additional search fees were timely paid by the applicant. Consequently, this International Search Report is restricted to the invention first mentioned in the claims; it is covered by claims Nos.:

1-21, 24

Remark on Protest

- The additional search fees were accompanied by the applicant's protest.
- No protest accompanied the payment of additional search fees.

FURTHER INFORMATION CONTINUED FROM PCT/ISA/ 210

This International Searching Authority found multiple (groups of) inventions in this international application, as follows:

1. claims: 1-21,24

Drive unit comprising an electric rotating actuator and a wave gear speed reducer

2. claims: 22,23,25-31

Drive unit comprising an electric rotating actuator and a wave gear speed reducer with a gable comprises at least one opening; method of assembling such a drive unit

INTERNATIONAL SEARCH REPORT

Information on patent family members

International application No PCT/EP2006/068274

Patent document cited in search report	Publication date	Patent family member(s)	Publication date
US 2002135241	A1	26-09-2002	DE 10206748 A1 31-10-2002
			JP 2002243000 A 28-08-2002
US 5497041	A	05-03-1996	JP 2901424 B2 07-06-1999
			JP 6062545 A 04-03-1994
US 4398110	A	09-08-1983	CA 1190581 A1 16-07-1985
			DE 3364648 D1 28-08-1986
			EP 0093888 A1 16-11-1983
			ES 8404578 A1 16-07-1984
			JP 1056624 B 30-11-1989
			JP 1569932 C 10-07-1990
			JP 58204748 A 29-11-1983