



US00D998737S

(12) **United States Design Patent**
Goserud

(10) **Patent No.:** **US D998,737 S**

(45) **Date of Patent:** **** Sep. 12, 2023**

(54) **GOLF TEE HOLDER**

(57) **CLAIM**

(71) Applicant: **J. Thomas Goserud**, Landisville, PA
(US)

I claim the ornamental design for a golf tee holder, as shown and described.

(72) Inventor: **J. Thomas Goserud**, Landisville, PA
(US)

(**) Term: **15 Years**

DESCRIPTION

(21) Appl. No.: **29/831,359**

FIG. 1 is a perspective view of a golf tee holder showing the new design, as viewed from the front, right, and top.

(22) Filed: **Mar. 18, 2022**

FIG. 2 is a front view thereof.

(51) **LOC (14) Cl.** **21-02**

FIG. 3 is a rear view thereof.

(52) **U.S. Cl.**

FIG. 4 is a right side view thereof.

USPC **D21/796**

FIG. 5 is a left side view thereof.

(58) **Field of Classification Search**

USPC D21/759, 793, 796, 708, 709, 710, 733,
D21/734, 735, 736, 747, 753, 756, 757,
D21/789

FIG. 6 is a top view thereof.

FIG. 7 is a bottom view thereof.

FIG. 8 is a perspective view thereof showing the device in use, with a golf tee inserted in the device's chamber and the device removably attached to a retaining clip via an intermediary magnetic holder and a metallic golf ball marker disk.

(Continued)

FIG. 9 is a sectional view thereof along line 9-9 in FIG. 6. A sectional view in the opposite direction would be a mirror image.

(56) **References Cited**

U.S. PATENT DOCUMENTS

1,723,091 A * 8/1929 St John A63B 47/02
D21/721
2,766,060 A * 10/1956 Fuller H01K 3/32
81/53.11

FIG. 10 is a sectional view thereof along line 10-10 in FIG. 6. A sectional view in the opposite direction would be a mirror image.

FIG. 11 is a perspective view of an alternative embodiment of a golf tee holder showing the new design, as viewed from the front, right, and top.

(Continued)

FIG. 12 is a front view thereof.

FIG. 13 is a rear view thereof.

FIG. 14 is a right side view thereof.

FIG. 15 is a left side view thereof.

FIG. 16 is a top view thereof.

FIG. 17 is a bottom view thereof.

FIG. 18 is a perspective view thereof showing the device in use, with a golf tee inserted in the device's chamber and the device removably attached to a retaining clip via an intermediary magnetic holder and a metallic golf ball marker disk.

OTHER PUBLICATIONS

New star, announced 2022[online], [site visited Jun. 20, 2022]. Available on internet, URL: <https://www.amazon.com/new-star-tattoo-Retriever-Grabber/dp/B09SHL8QC2/ref> (Year: 2022).*

(Continued)

FIG. 19 is a sectional view thereof along line 19-19 in FIG. 16. A sectional view in the opposite direction would be a mirror image.

Primary Examiner — Khawaja Anwar

Assistant Examiner — Julice Seung Eun Oum

(74) *Attorney, Agent, or Firm* — Saxton & Stump; Steve O'Donnell

(Continued)

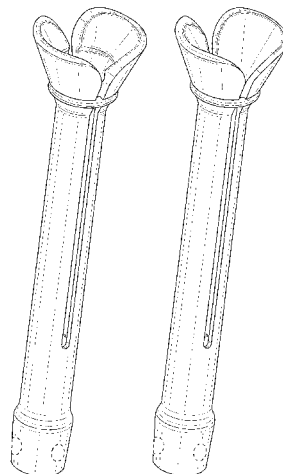


FIG. 20 is a sectional view thereof along line 20-20 in FIG. 16. A sectional view in the opposite direction would be a mirror image.

FIG. 21 is a perspective view of an alternative embodiment of a golf tee holder showing the new design, as viewed from the front, right, and top.

FIG. 22 is a front view thereof.

FIG. 23 is a rear view thereof.

FIG. 24 is a right side view thereof.

FIG. 25 is a left side view thereof.

FIG. 26 is a top view thereof.

FIG. 27 is a bottom view thereof.

FIG. 28 is a perspective view thereof showing the device in use, with a golf tee inserted in the device's chamber and the device removably attached to a retaining clip via an intermediary magnetic holder and a metallic golf ball marker disk.

FIG. 29 is a sectional view thereof along line 29-29 in FIG. 26. A sectional view in the opposite direction would be a mirror image.

FIG. 30 is a sectional view thereof along line 30-30 in FIG. 26. A sectional view in the opposite direction would be a mirror image.

FIG. 31 is a perspective view of an alternative embodiment of a golf tee holder showing the new design, as viewed from the front, right, and top.

FIG. 32 is a front view thereof.

FIG. 33 is a rear view thereof.

FIG. 34 is a right side view thereof.

FIG. 35 is a left side view thereof.

FIG. 36 is a top view thereof.

FIG. 37 is a bottom view thereof.

FIG. 38 is a perspective view thereof showing the device in use, with a golf tee inserted in the device's chamber and the device removably attached to a retaining clip via an intermediary magnetic holder and a metallic golf ball marker disk.

FIG. 39 is a sectional view thereof along line 39-39 in FIG. 36. A sectional view in the opposite direction would be a mirror image; and,

FIG. 40 is a sectional view thereof along line 40-40 in FIG. 36. A sectional view in the opposite direction would be a mirror image.

The evenly spaced broken lines shown in the figures depict unclaimed subject matter and/or environmental structure, and form no part of the claimed design. The dot-dash lines shown in the figures represent a boundary of the claimed design and form no part thereof.

1 Claim, 40 Drawing Sheets

(58) **Field of Classification Search**

CPC A63B 57/0068; A63B 57/0075; A63B 69/3623; A63B 69/3667

See application file for complete search history.

(56) **References Cited**

U.S. PATENT DOCUMENTS

D195,629	S *	7/1963	Borah	D8/382
7,854,664	B1 *	12/2010	Comrie	A63B 55/10 473/282
D657,505	S *	4/2012	Viola	D30/160
D657,506	S *	4/2012	Viola	D30/160
8,523,699	B2 *	9/2013	Bennett	A63B 60/16 473/286
2006/0070634	A1 *	4/2006	Brunkow	A24F 19/0092 131/257
2007/0259731	A1 *	11/2007	Barouh	A63B 60/00 473/285

OTHER PUBLICATIONS

Go sports, announced 2020[online], [site visited Jun. 20, 2020]. Available on internet, URL:<https://www.amazon.com/GoSports-Pickup-Putter-Attachment-Retriever/dp/B0845QV2TV/ref> (Year: 2020).*

Golf scramble, announced 2018[online], [site visited Jun. 20, 2018]. Available on internet, URL:<https://www.amazon.com/Golf-Scramble-Players-Diameter-Comfortable/dp/B07BMKCRKG/ref> (Year: 2018).*

* cited by examiner

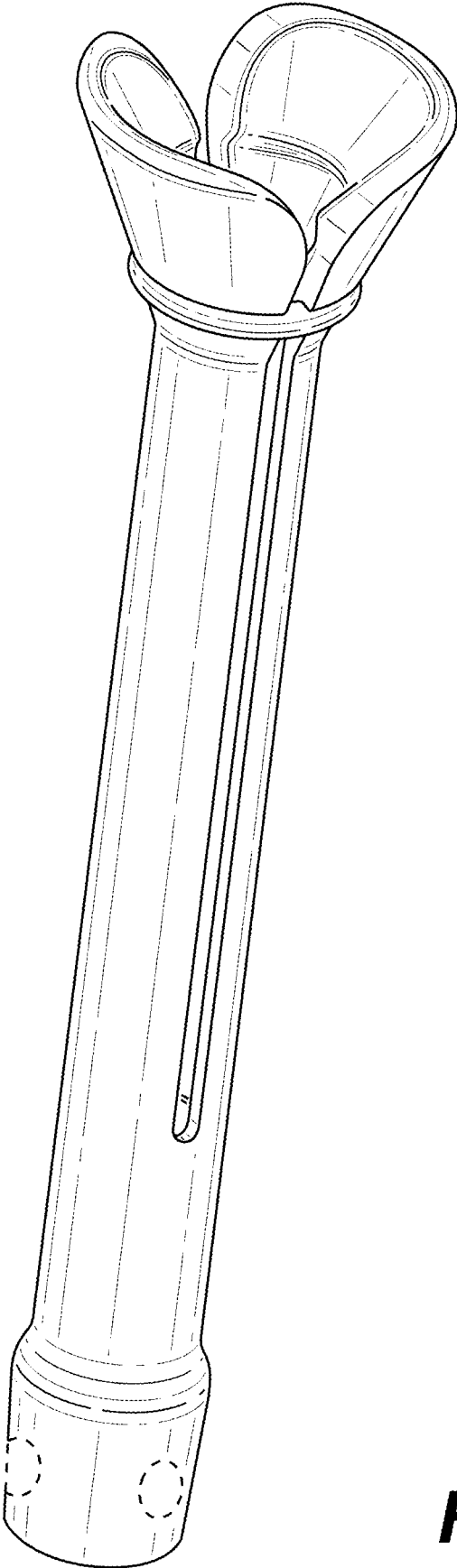


FIG. 1

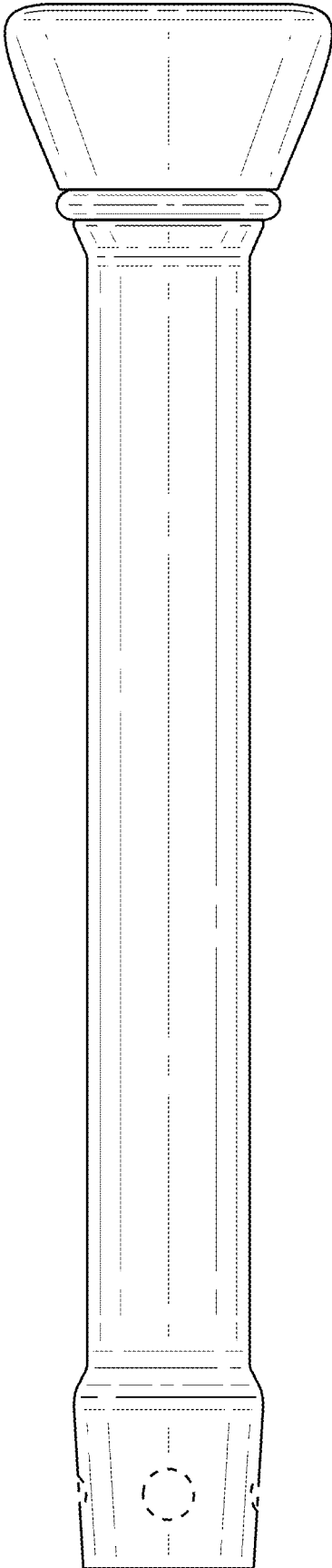


FIG. 2

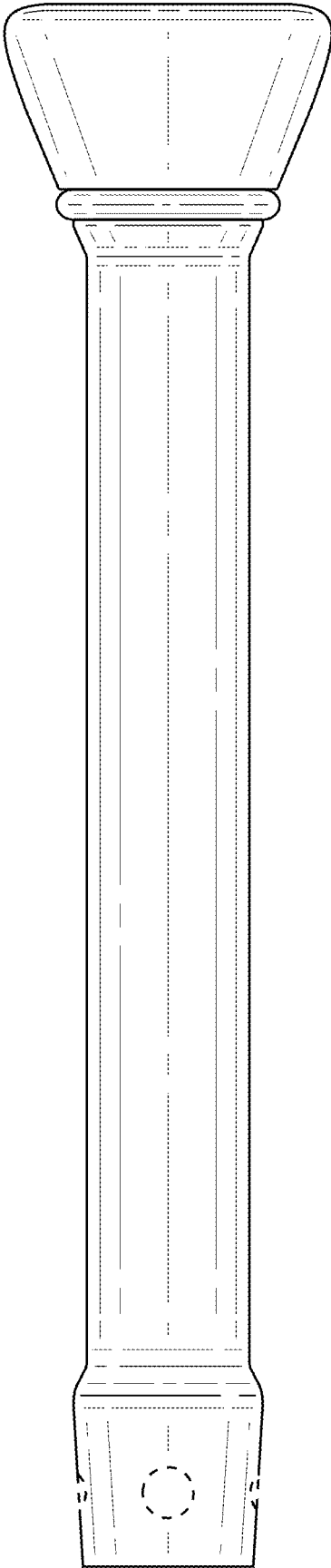


FIG. 3

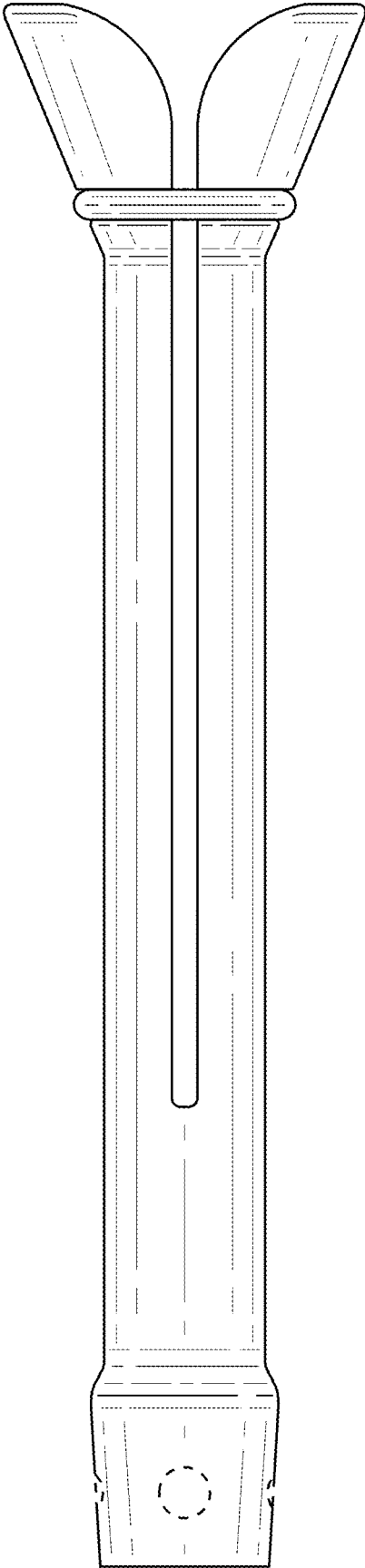


FIG. 4

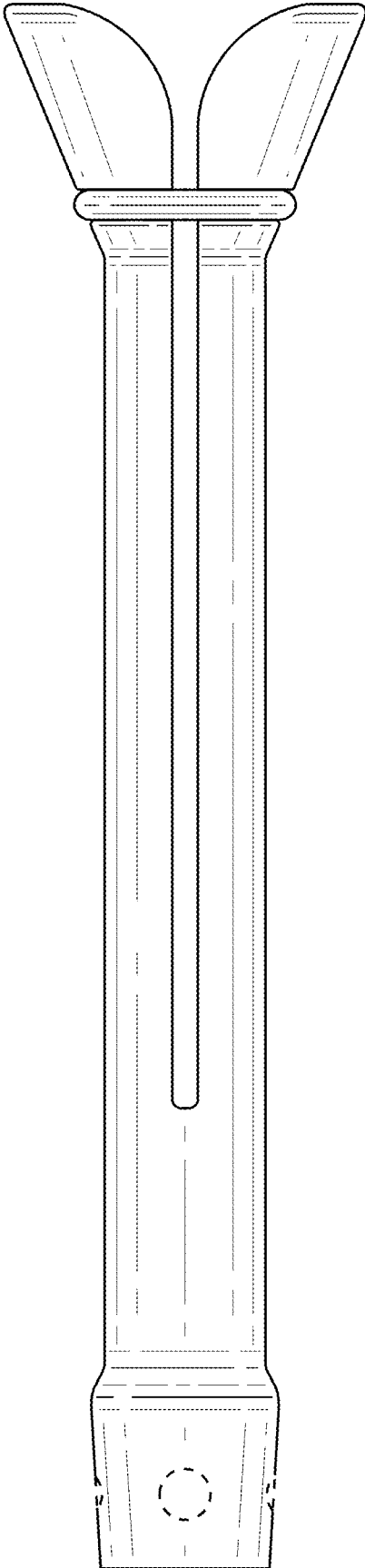


FIG. 5

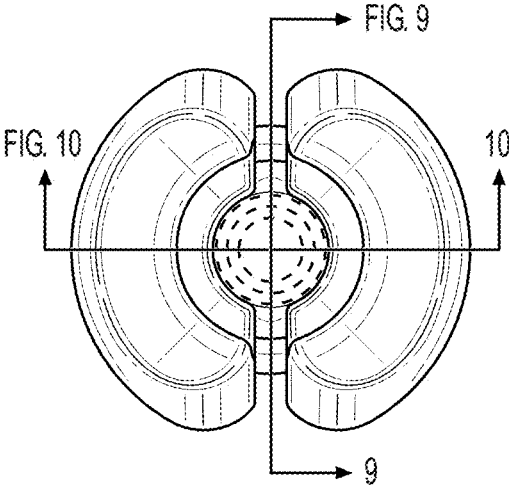


FIG. 6

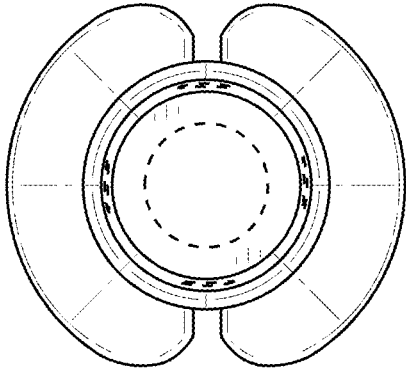


FIG. 7

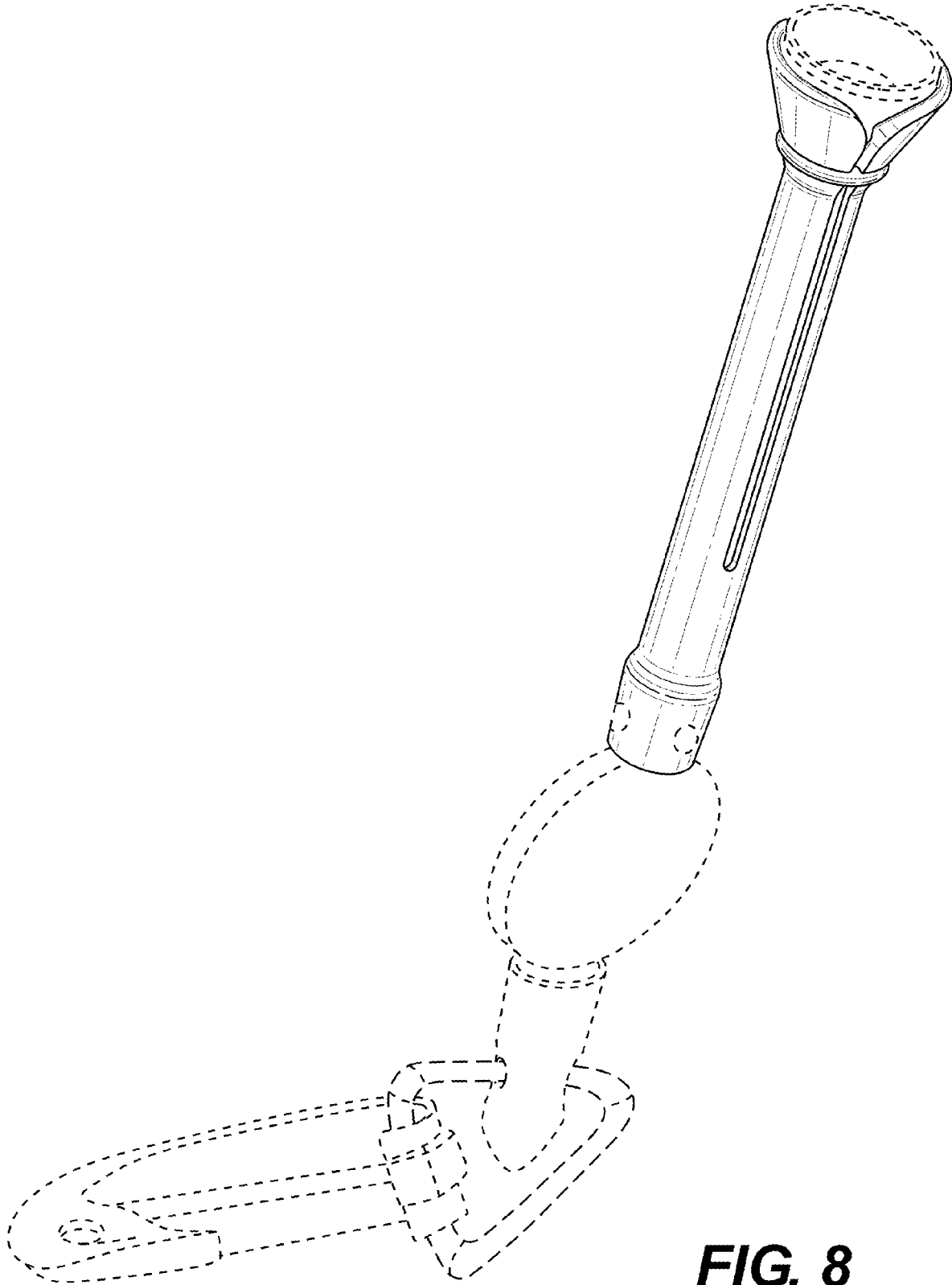


FIG. 8

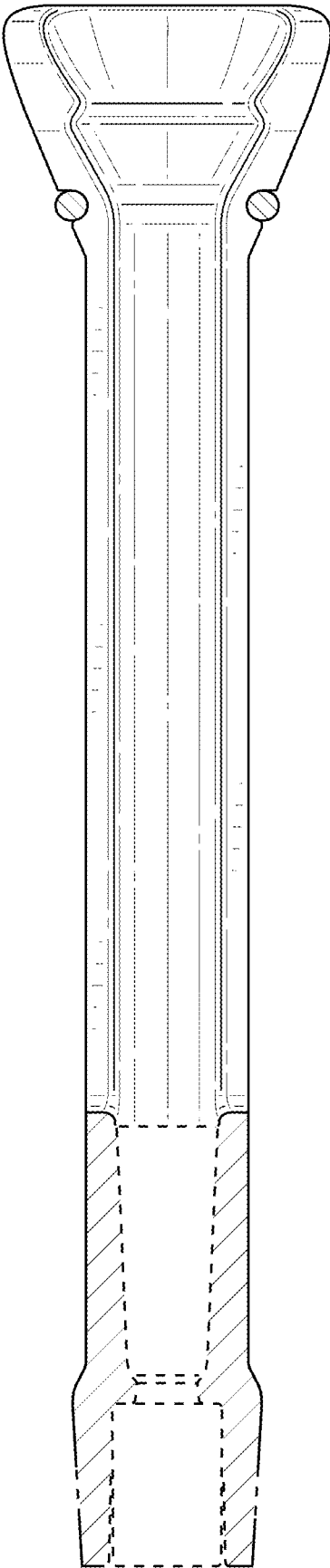


FIG. 9

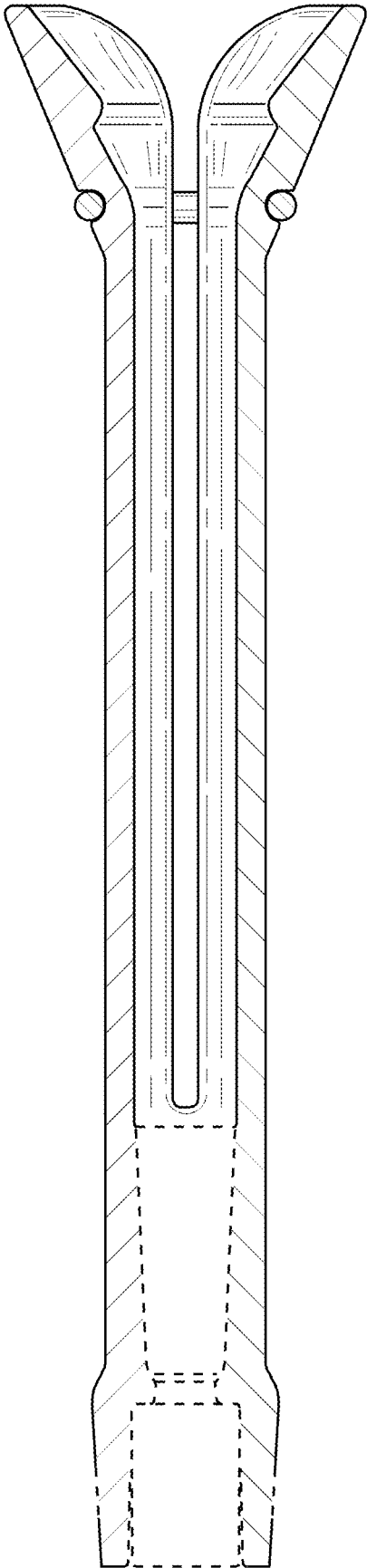


FIG. 10

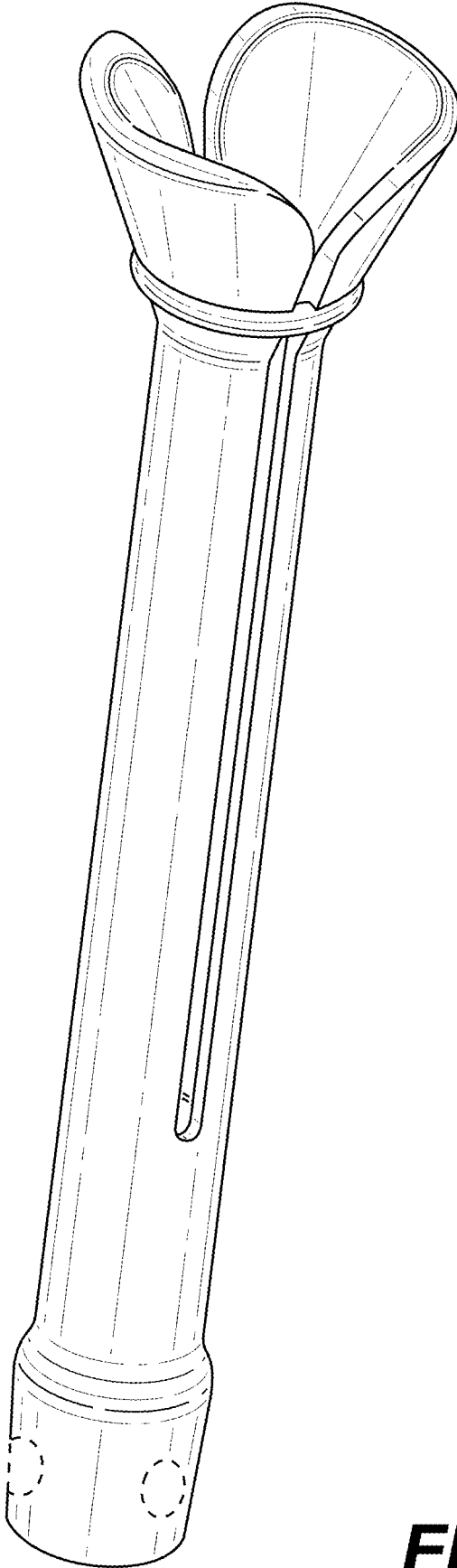


FIG. 11

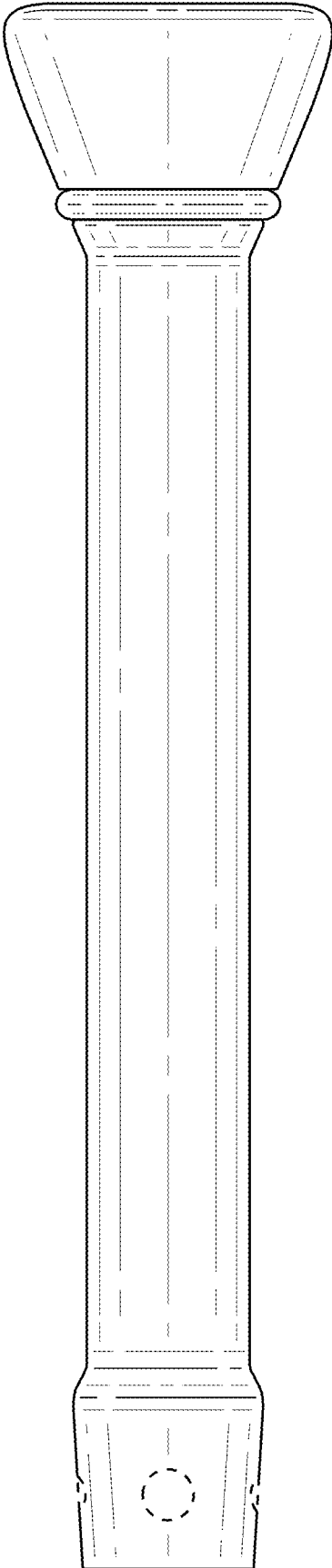


FIG. 12

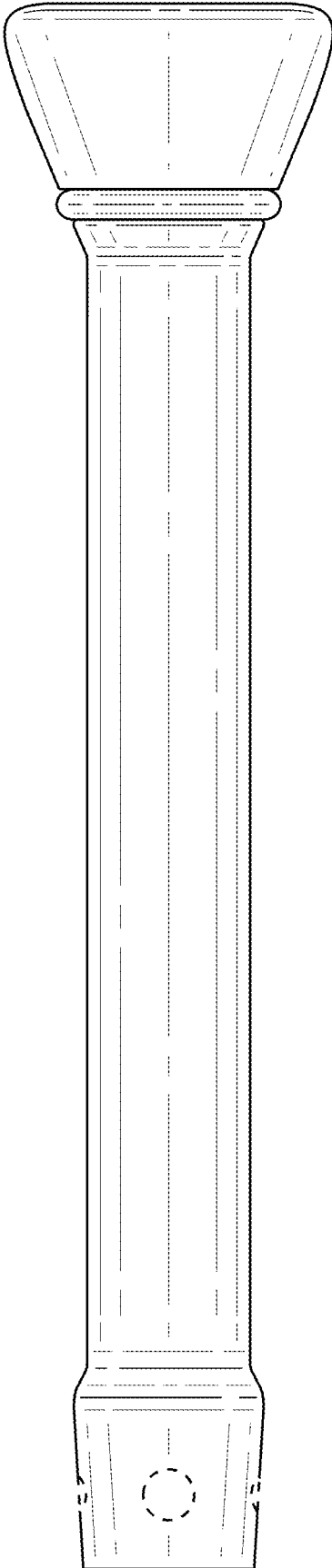


FIG. 13

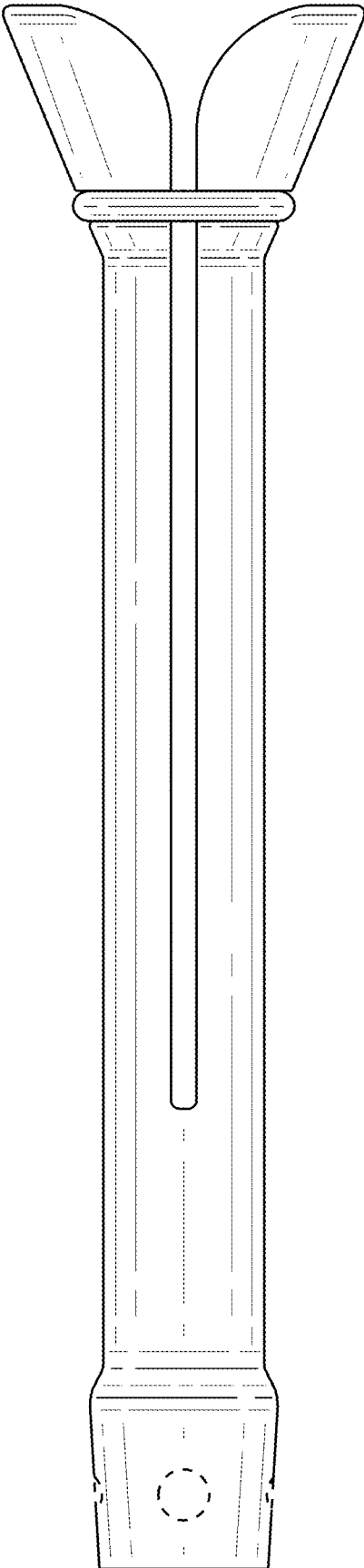


FIG. 14

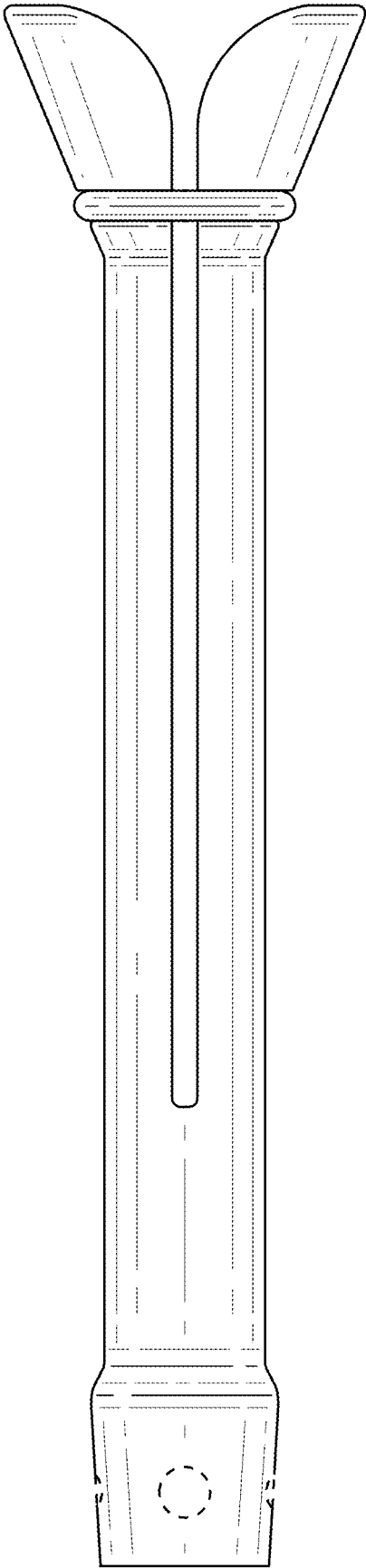


FIG. 15

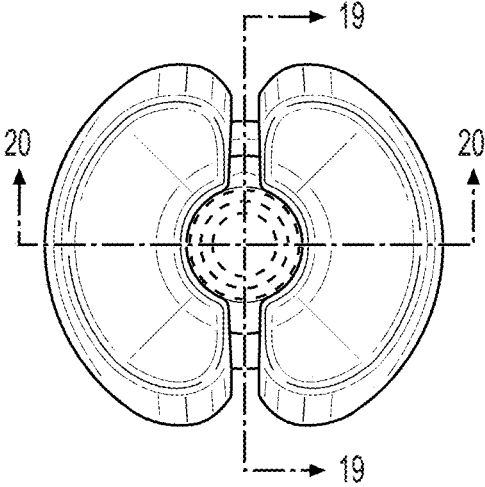


FIG. 16

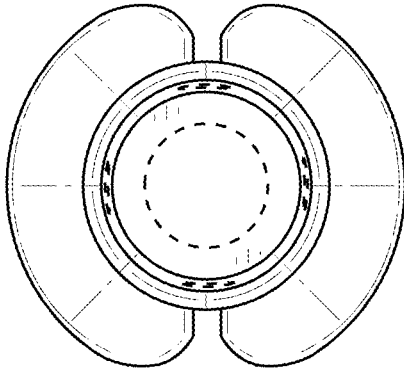


FIG. 17

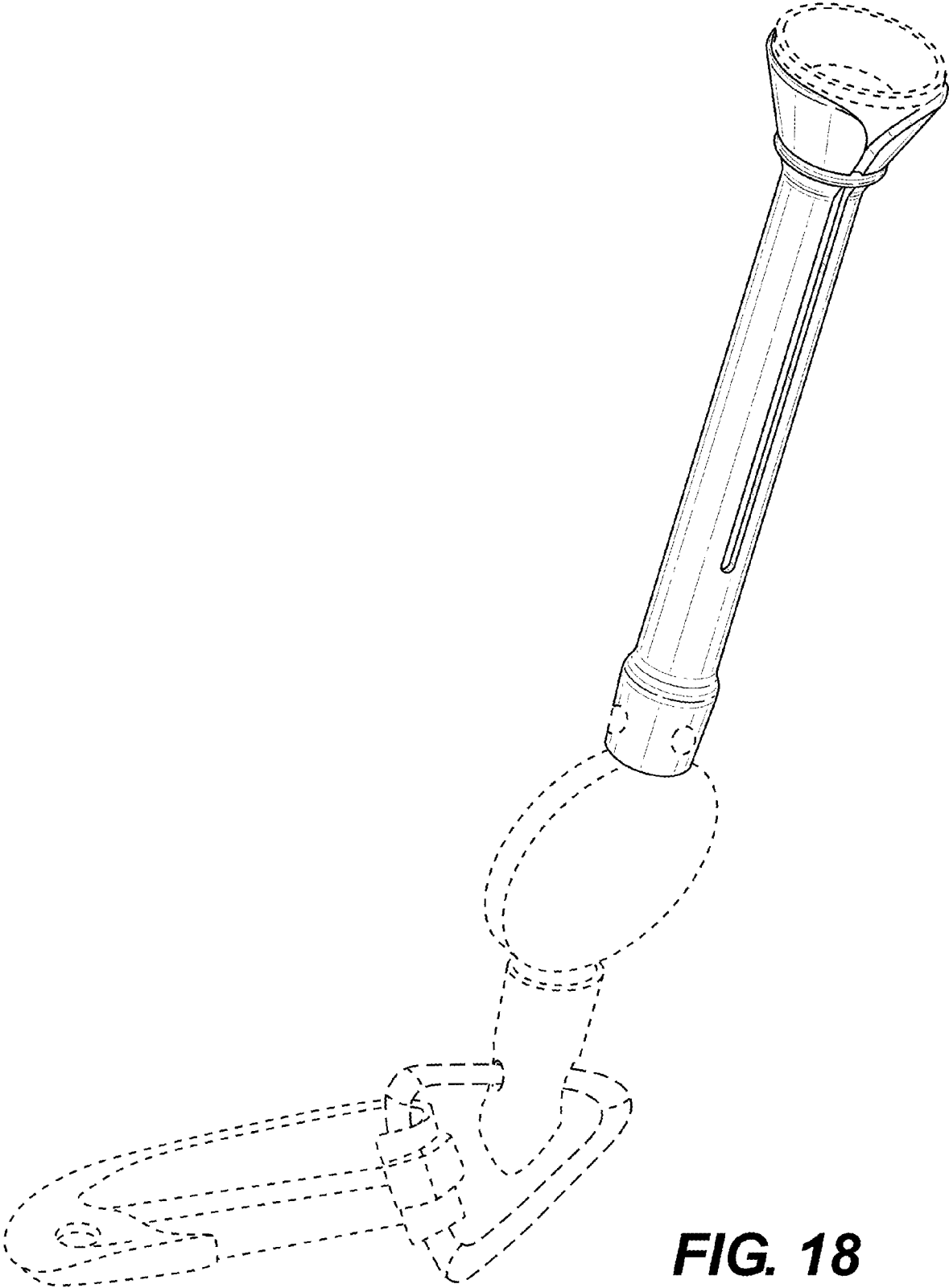


FIG. 18

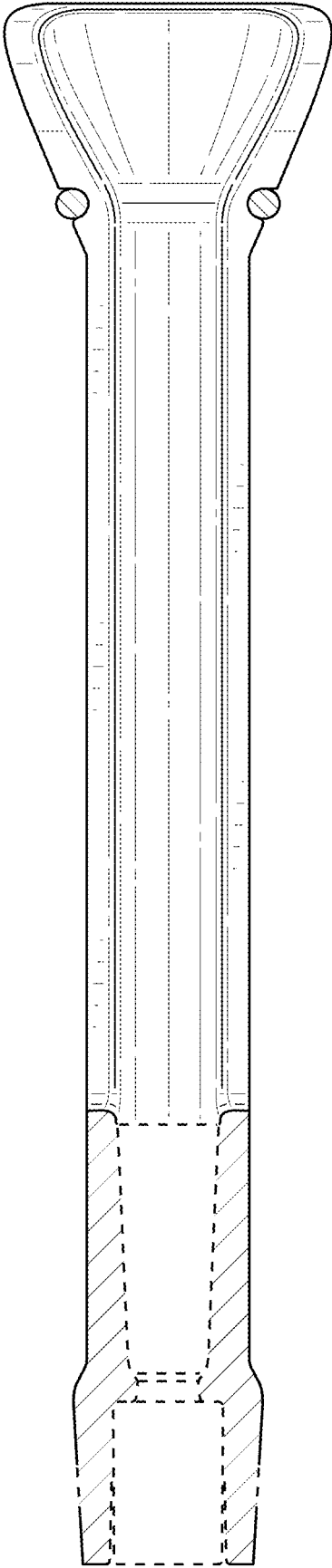


FIG. 19

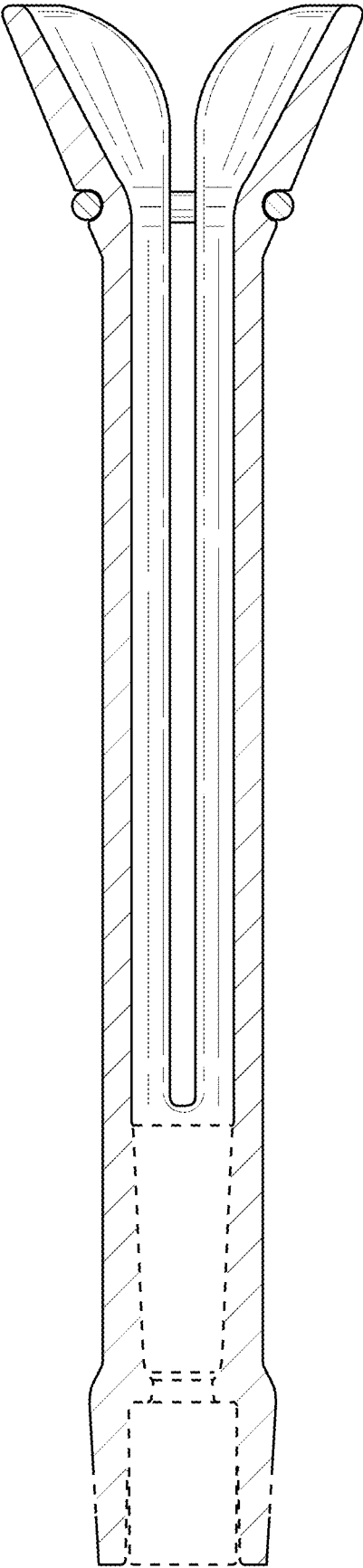


FIG. 20

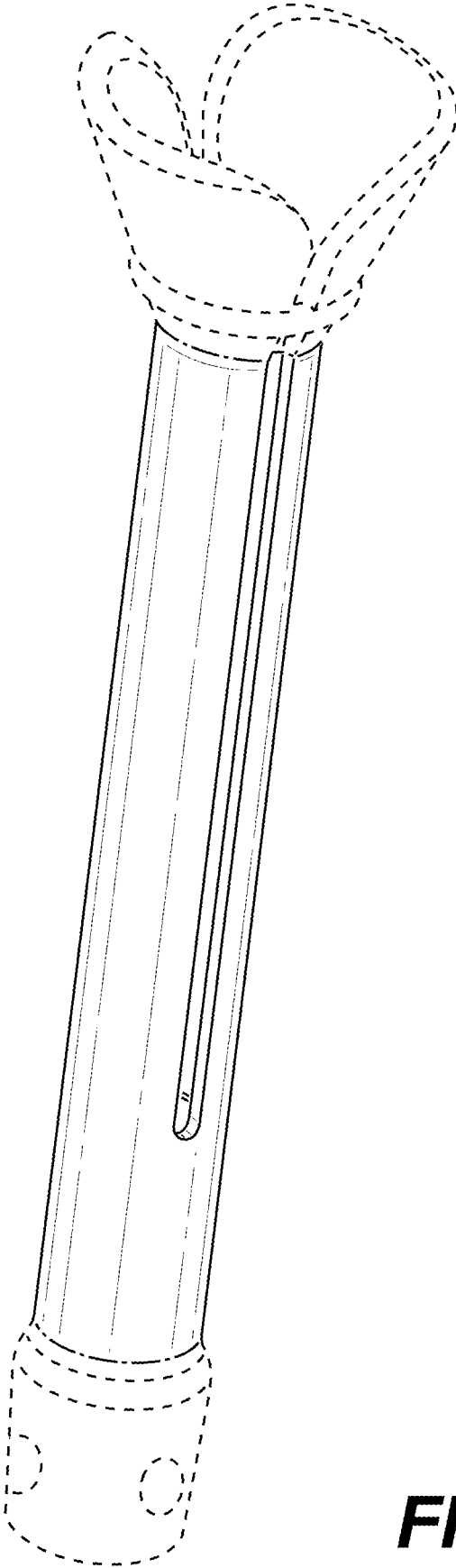


FIG. 21

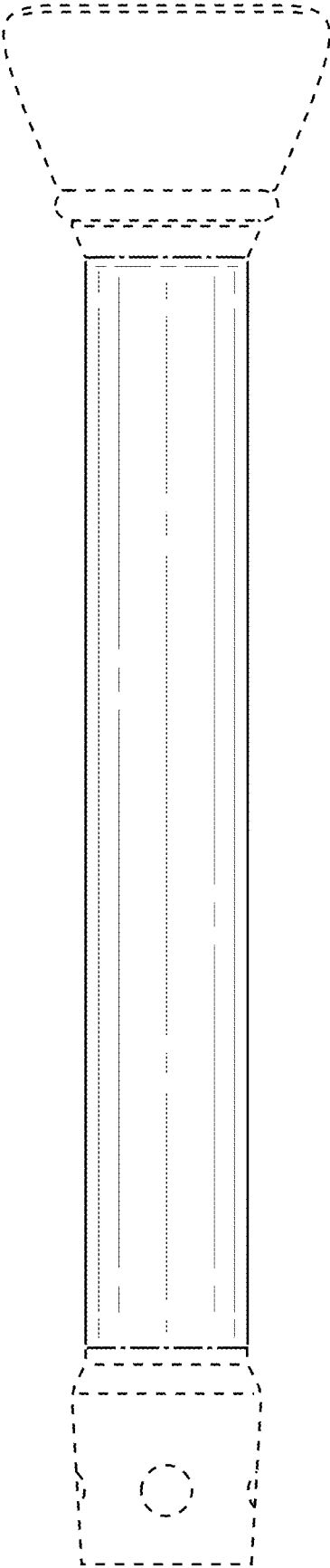


FIG. 22

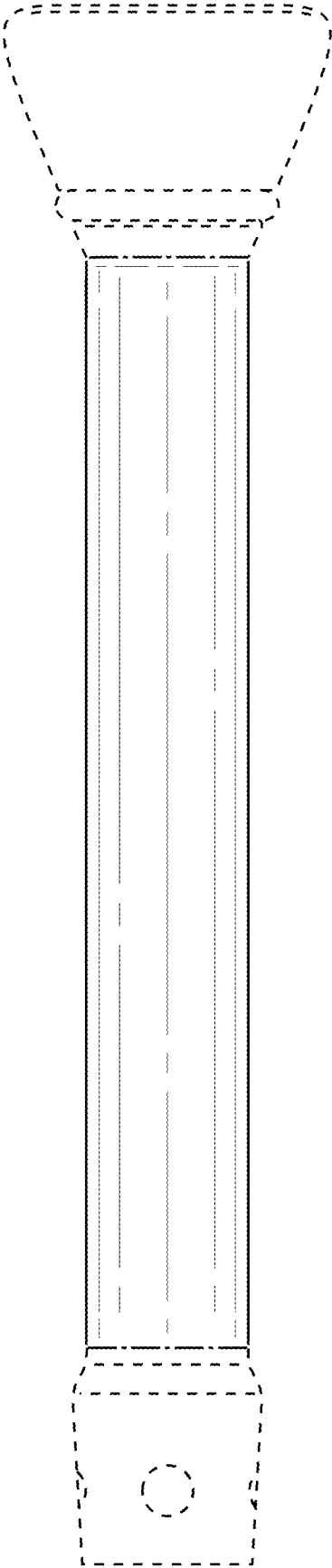


FIG. 23

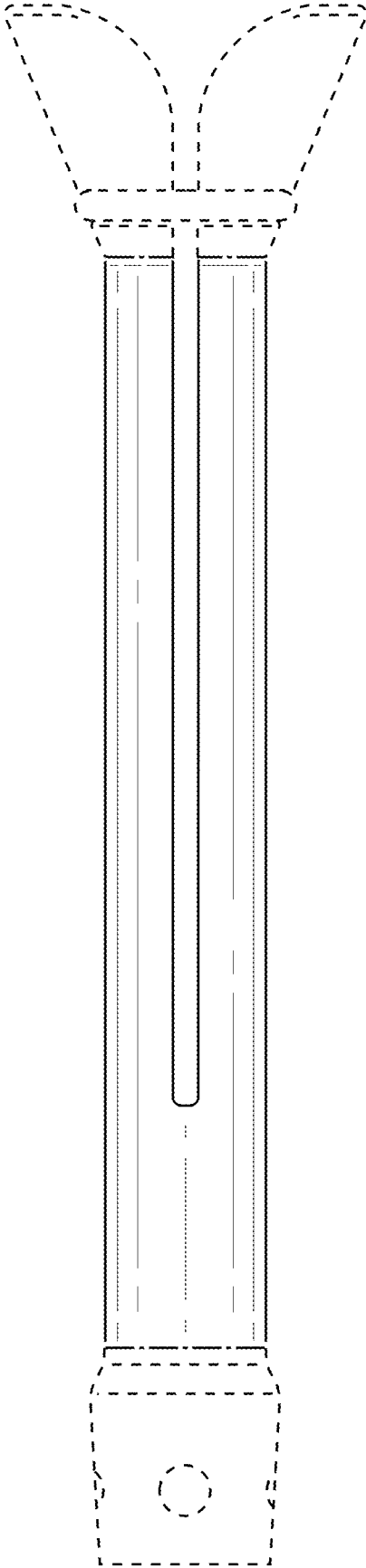


FIG. 24

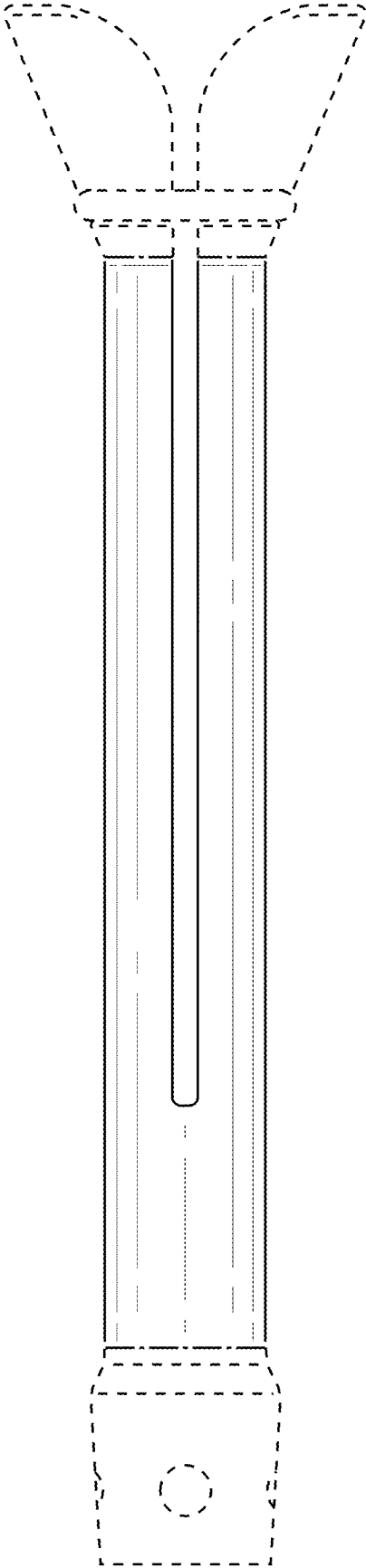


FIG. 25

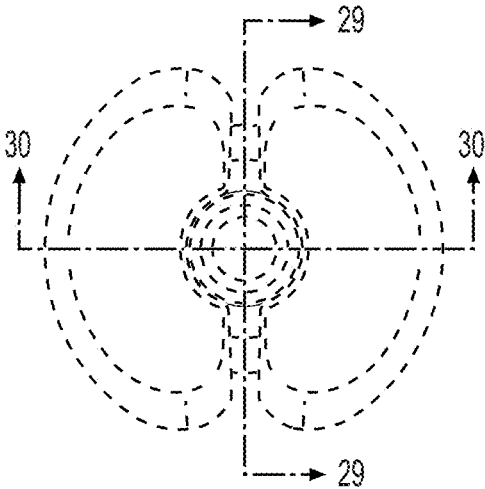


FIG. 26

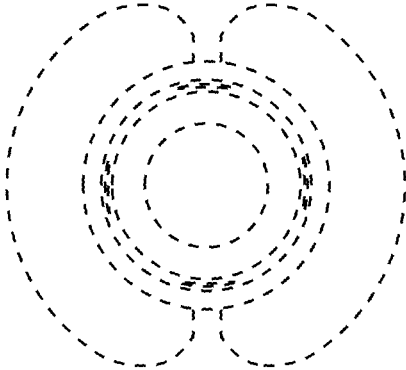


FIG. 27

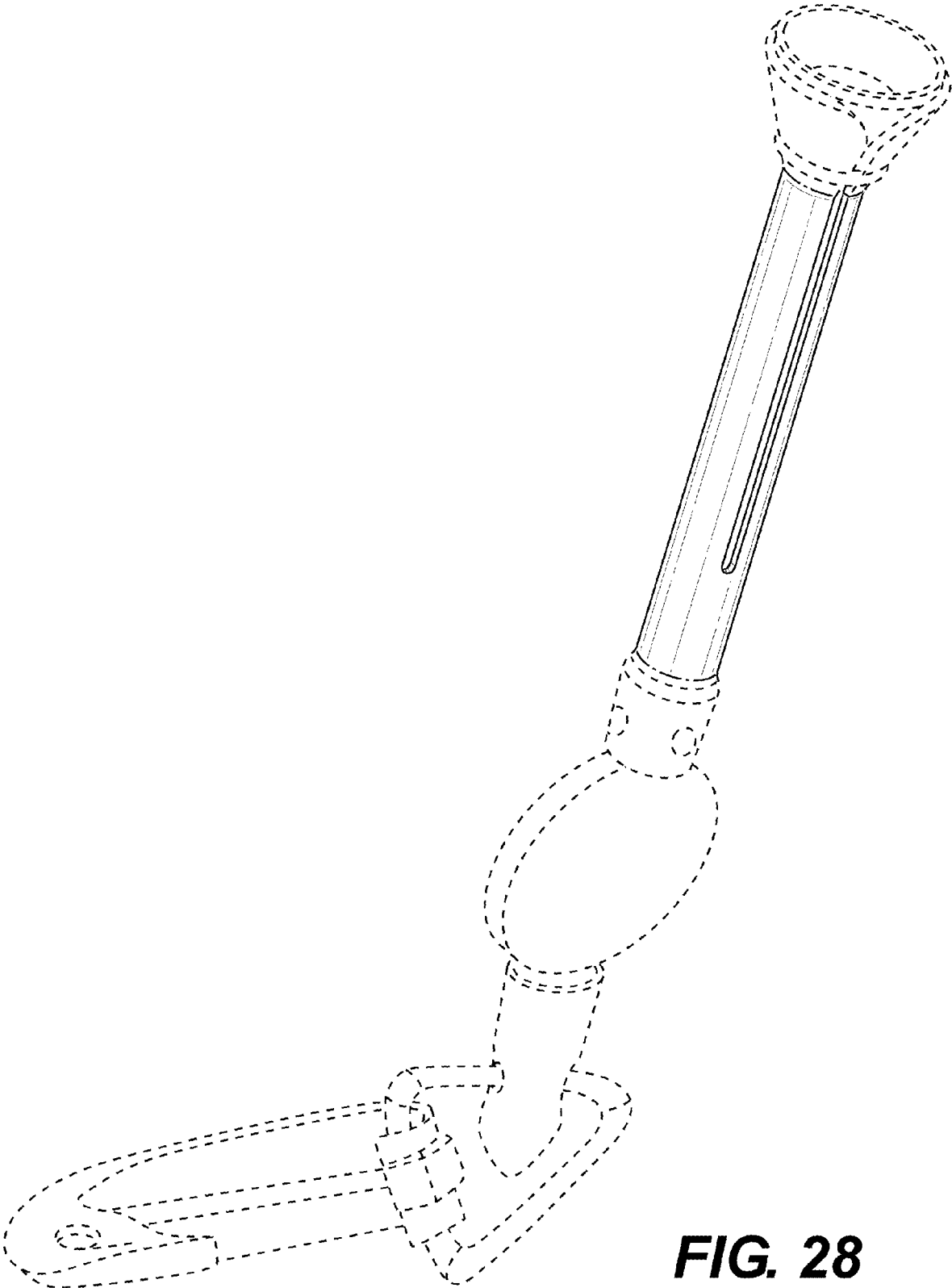


FIG. 28

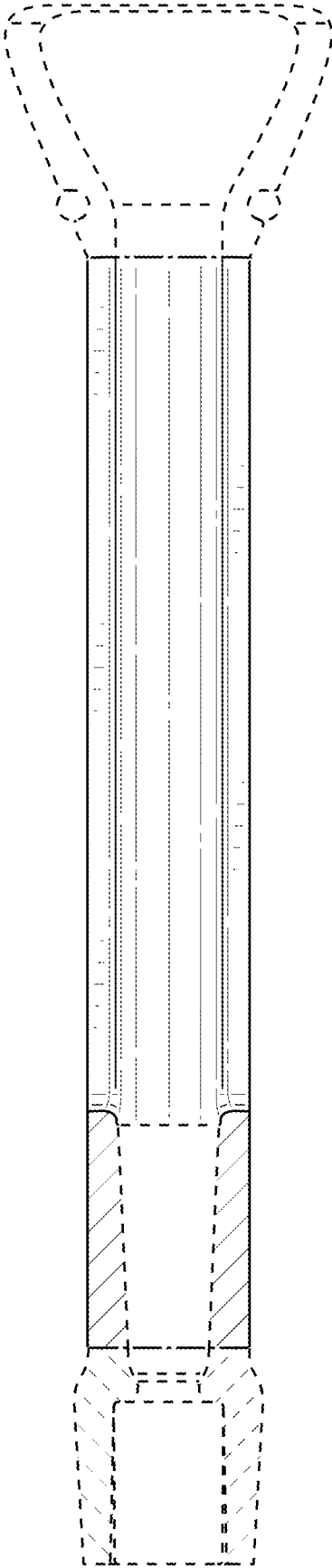


FIG. 29

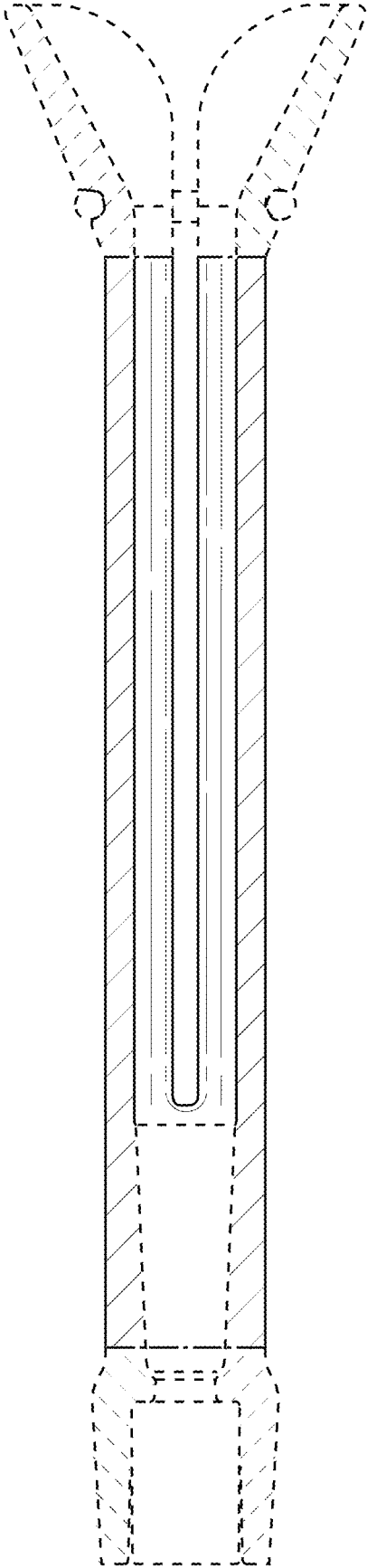


FIG. 30

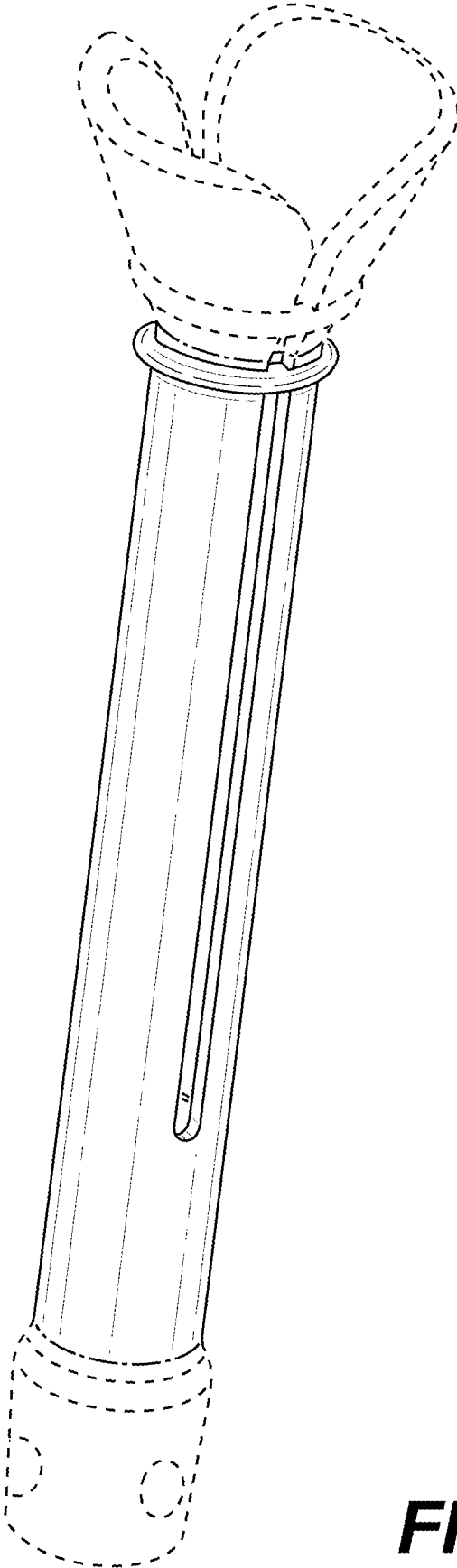


FIG. 31

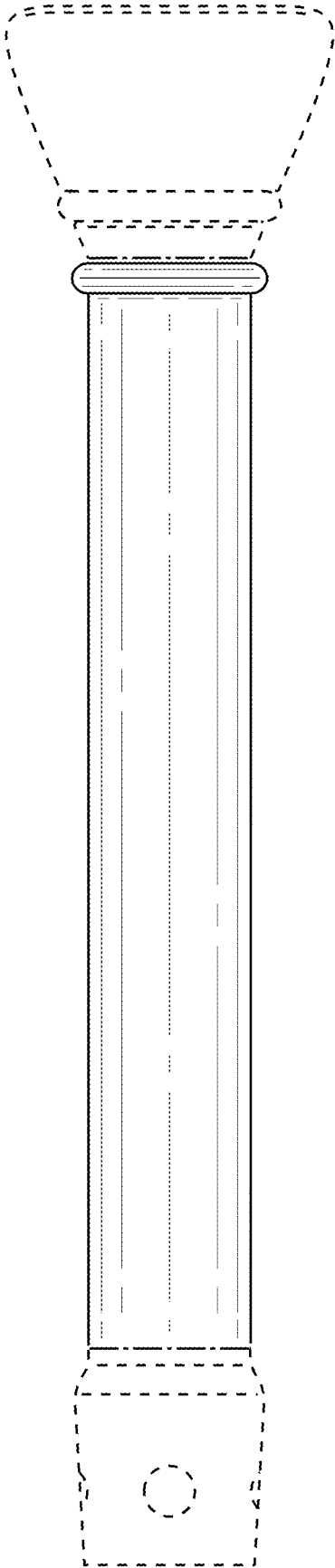


FIG. 32

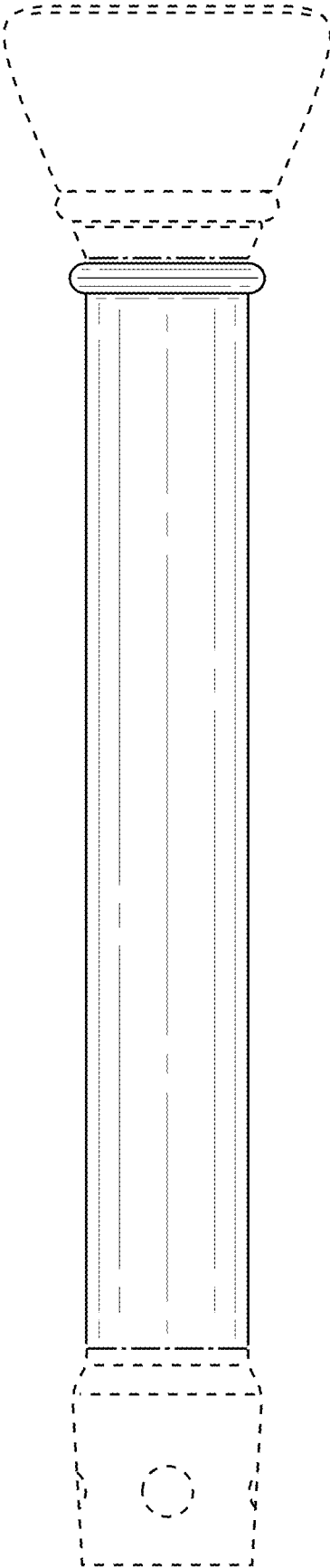


FIG. 33

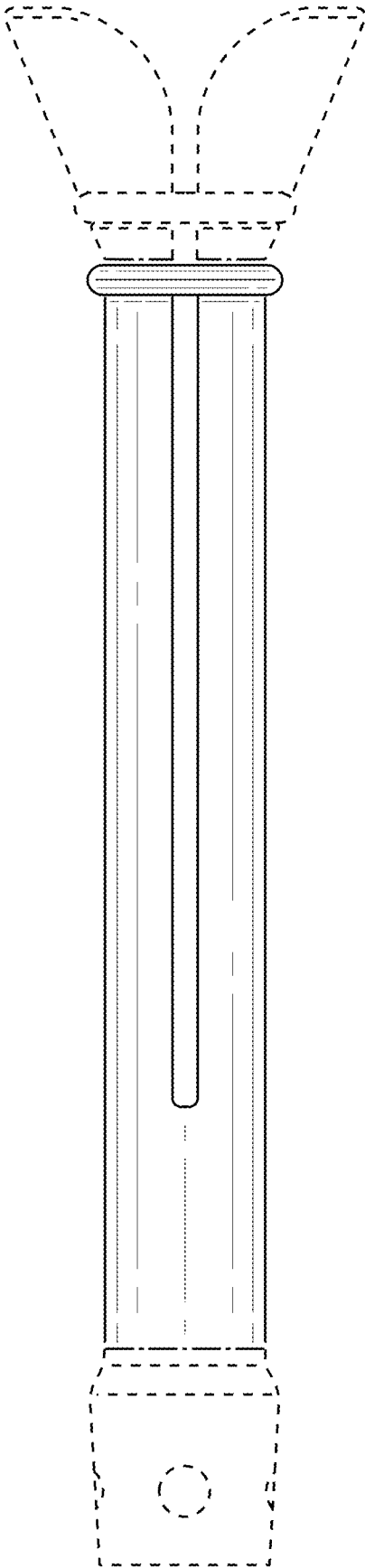


FIG. 34

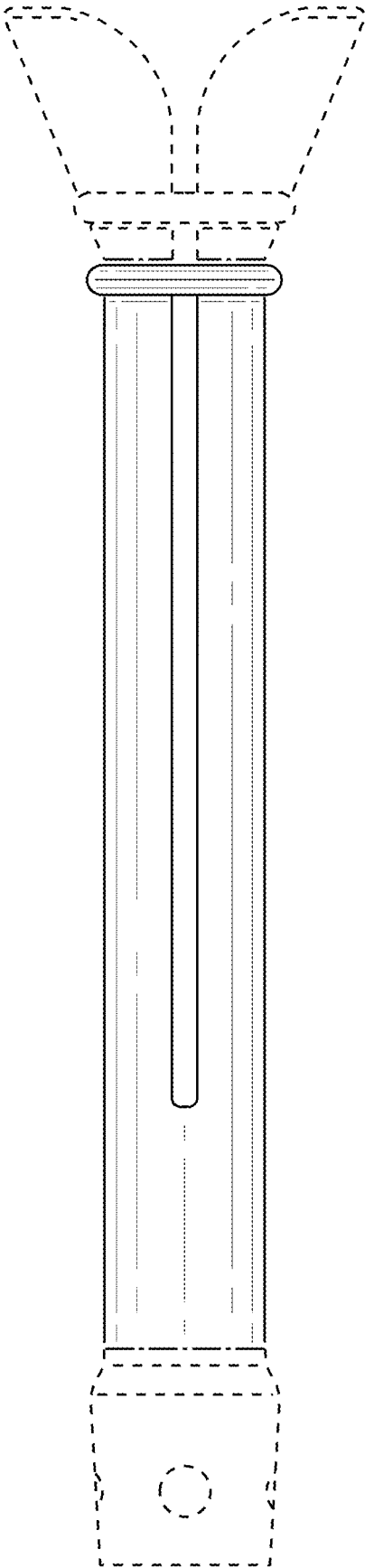


FIG. 35

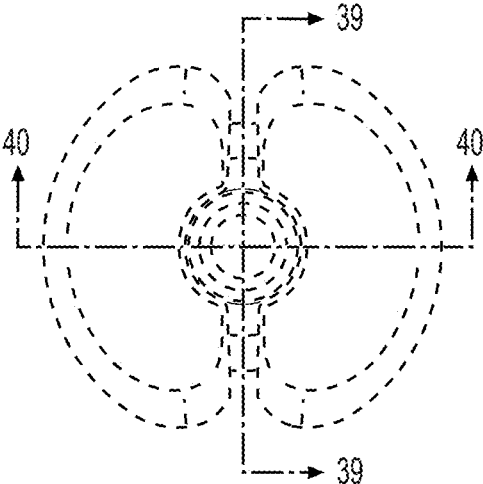


FIG. 36

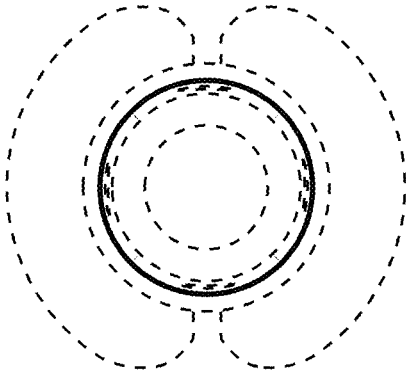


FIG. 37

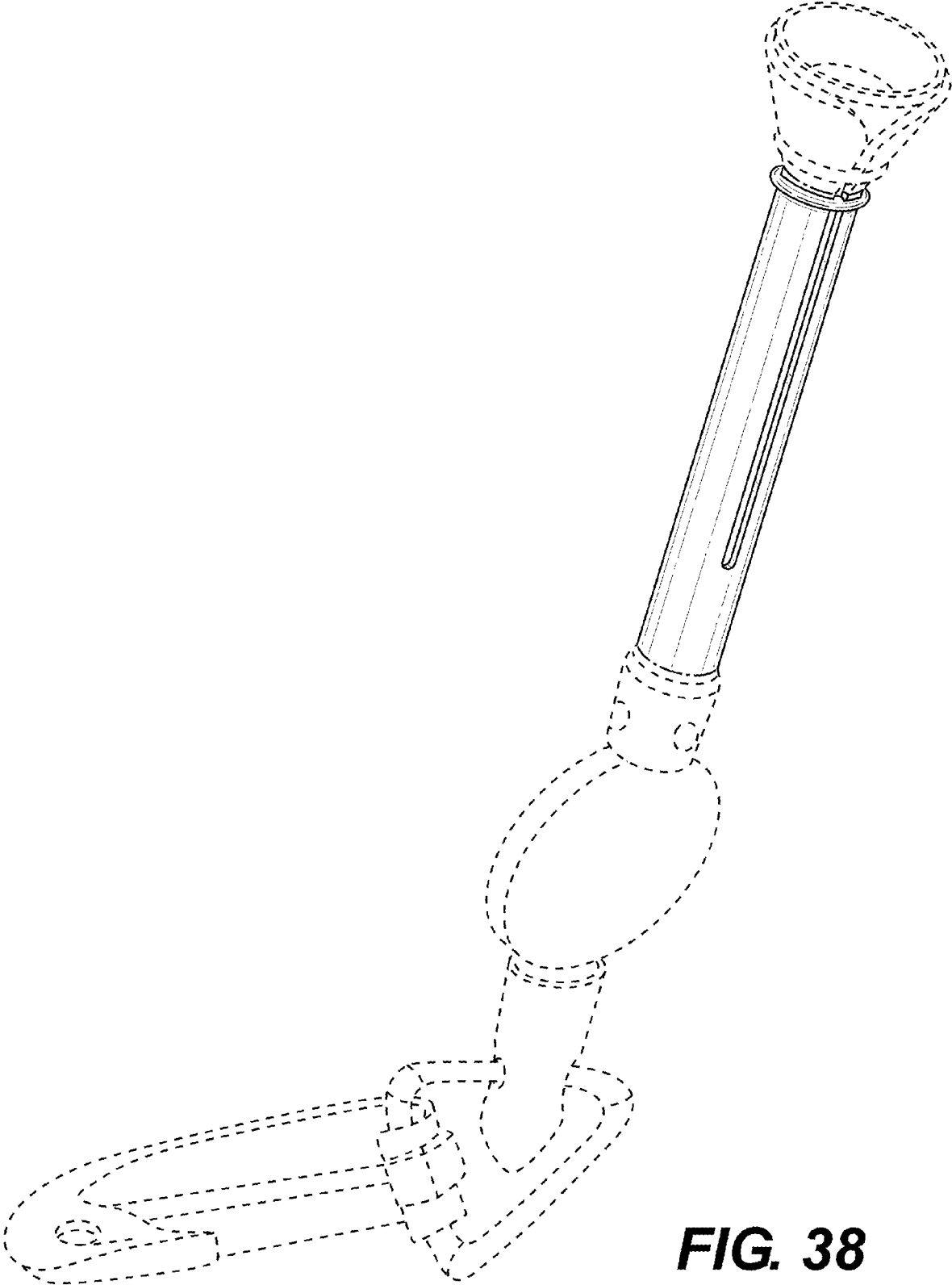


FIG. 38

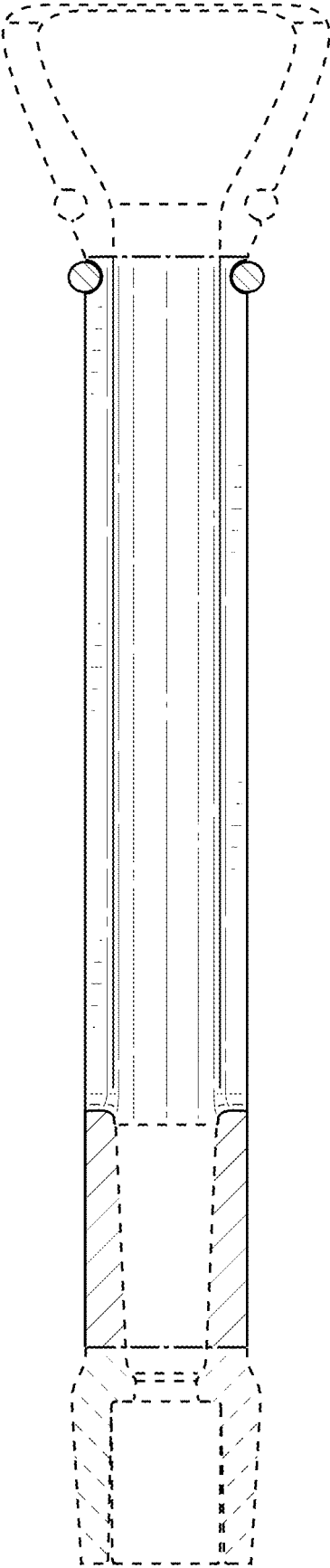


FIG. 39

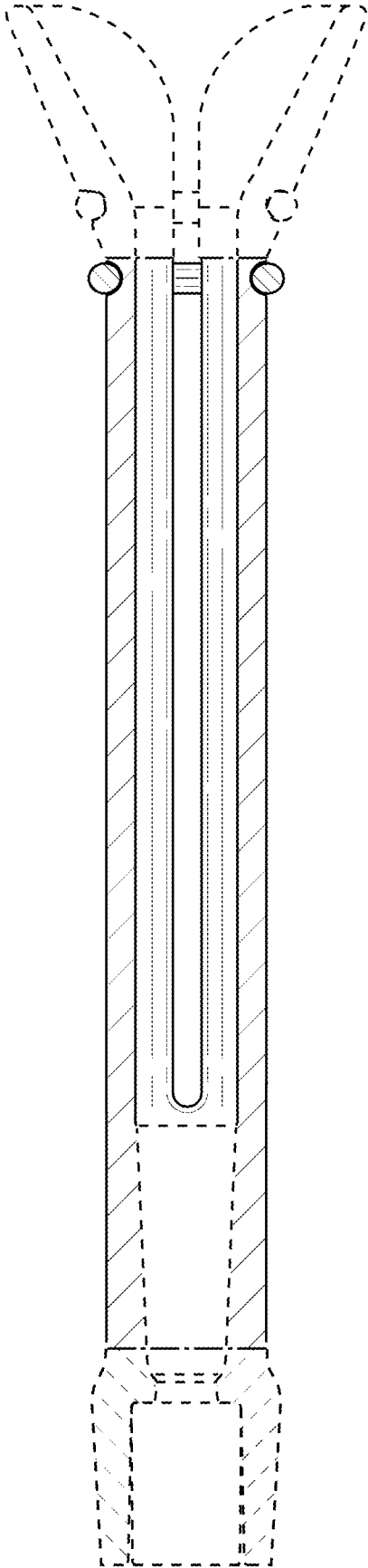


FIG. 40