



US00D487233S

(12) **United States Design Patent** (10) **Patent No.:** **US D487,233 S**  
**Cadotte et al.** (45) **Date of Patent:** **\*\* Mar. 2, 2004**

(54) **SIDE PANEL FOR A SNOWMOBILE** D403,273 S \* 12/1998 Cadotte et al. .... D12/7  
D438,821 S 3/2001 Cadotte et al.  
(75) Inventors: **Germain Cadotte**, St-Élle d'Orford 6,234,263 B1 5/2001 Boivin et al.  
(CA); **Bruno Girouard**, Montreal 6,234,286 B1 5/2001 Feldberg  
(CA); **Emmanuel Rius**, Maison Laffitte 6,371,233 B2 \* 4/2002 Ishii ..... 180/182  
(FR)

**OTHER PUBLICATIONS**

(73) Assignee: **Bombardier Recreational Products Inc.**, St-Bruno (CA) www.yamaha-motor.com2003RX-1 photo galleryw/rear perspective. On net.\*  
www.yamaha-motor.com 2003 RX-1 photo gallery w/rear perspective. On net.  
(\*\*) Term: **14 Years**

\* cited by examiner

(21) Appl. No.: **29/182,604**  
(22) Filed: **May 30, 2003**

*Primary Examiner*—Nelson C. Holtje  
(74) *Attorney, Agent, or Firm*—BRP Legal Services; Steward Strickland

**Related U.S. Application Data**

(60) Division of application No. 29/160,836, filed on May 20, 2002, now Pat. No. Des. 479,814, which is a continuation-in-part of application No. 29/139,885, filed on Apr. 9, 2001, now Pat. No. Des. 479,813.

(57) **CLAIM**

The ornamental design for a side panel for a snowmobile, as shown and described.

(51) **LOC (7) Cl.** ..... **12-14**  
(52) **U.S. Cl.** ..... **D12/7**  
(58) **Field of Search** ..... D12/7; 180/182, 180/184-186, 190, 193-194; 280/845; D21/533

**DESCRIPTION**

FIG. 1 is a perspective illustration, from the front and left side, of the side panel for a snowmobile according to our design;  
FIG. 2 is a left side view thereof;  
FIG. 3 is a rear view thereof;  
FIG. 4 is a front view thereof;  
FIG. 5 is a top view thereof; and,  
FIG. 6 is a bottom view thereof.  
Throughout the Figures, broken lines showing structure are for illustrative purposes only and form no part of the claimed design.

(56) **References Cited**

**U.S. PATENT DOCUMENTS**

D228,754 S 10/1973 Mango  
D239,164 S 3/1976 Smith et al.  
D264,830 S 6/1982 Ishiyama  
D273,185 S \* 3/1984 Ishiyama ..... D12/7  
D278,892 S \* 5/1985 Kobayashi ..... D12/7  
4,779,695 A \* 10/1988 Yasui ..... 180/190  
D314,535 S 2/1991 Matsue  
D342,044 S \* 12/1993 Hornai ..... D12/7

**1 Claim, 6 Drawing Sheets**

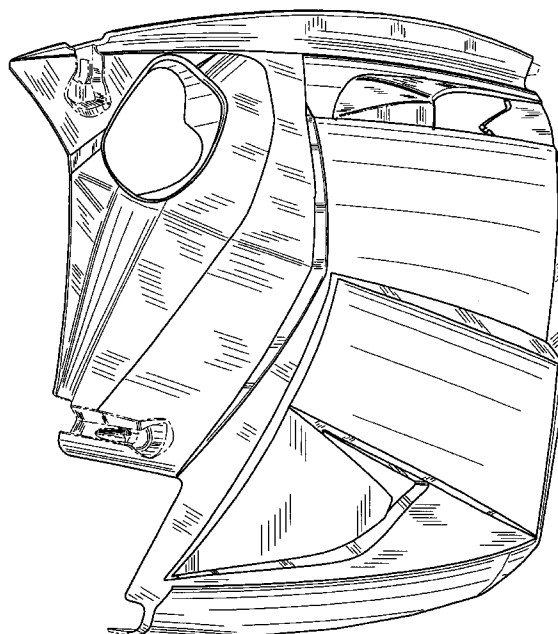
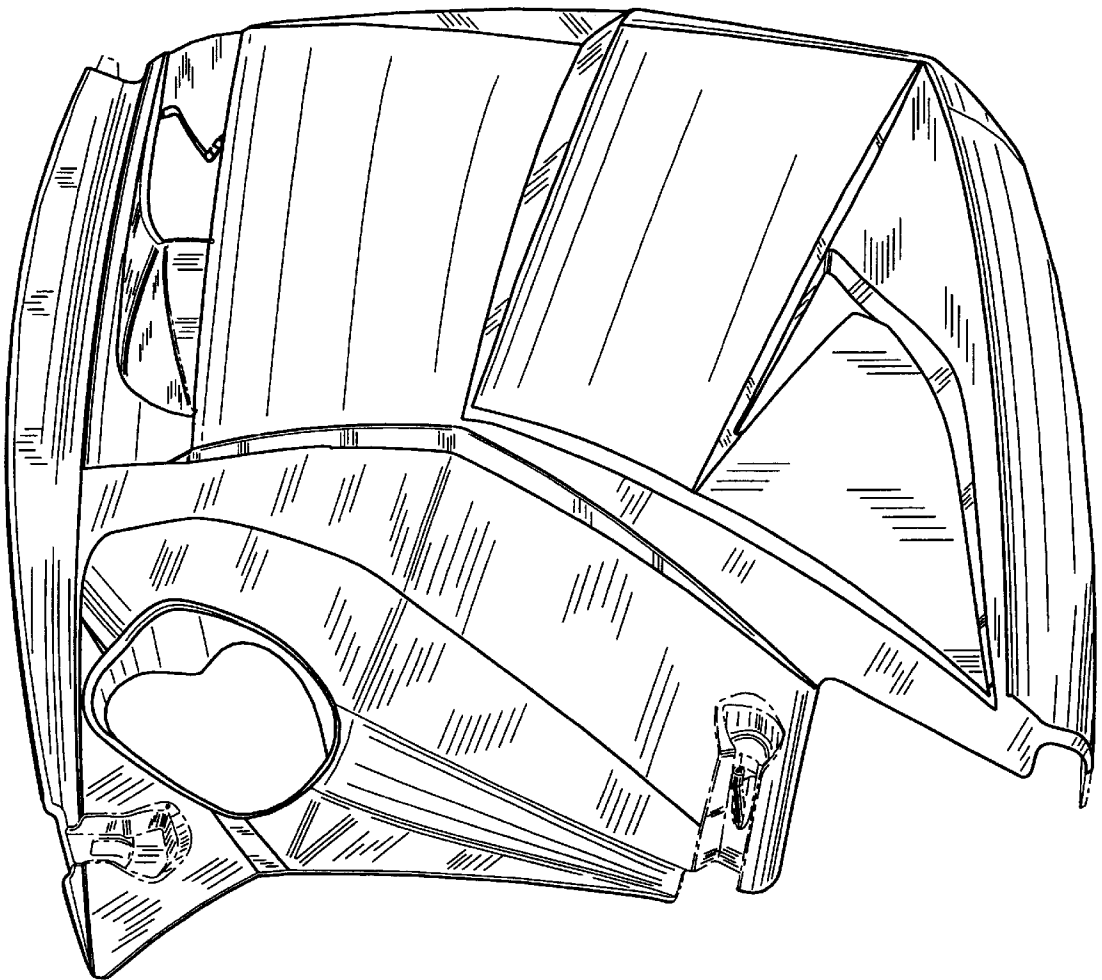


FIG. 1



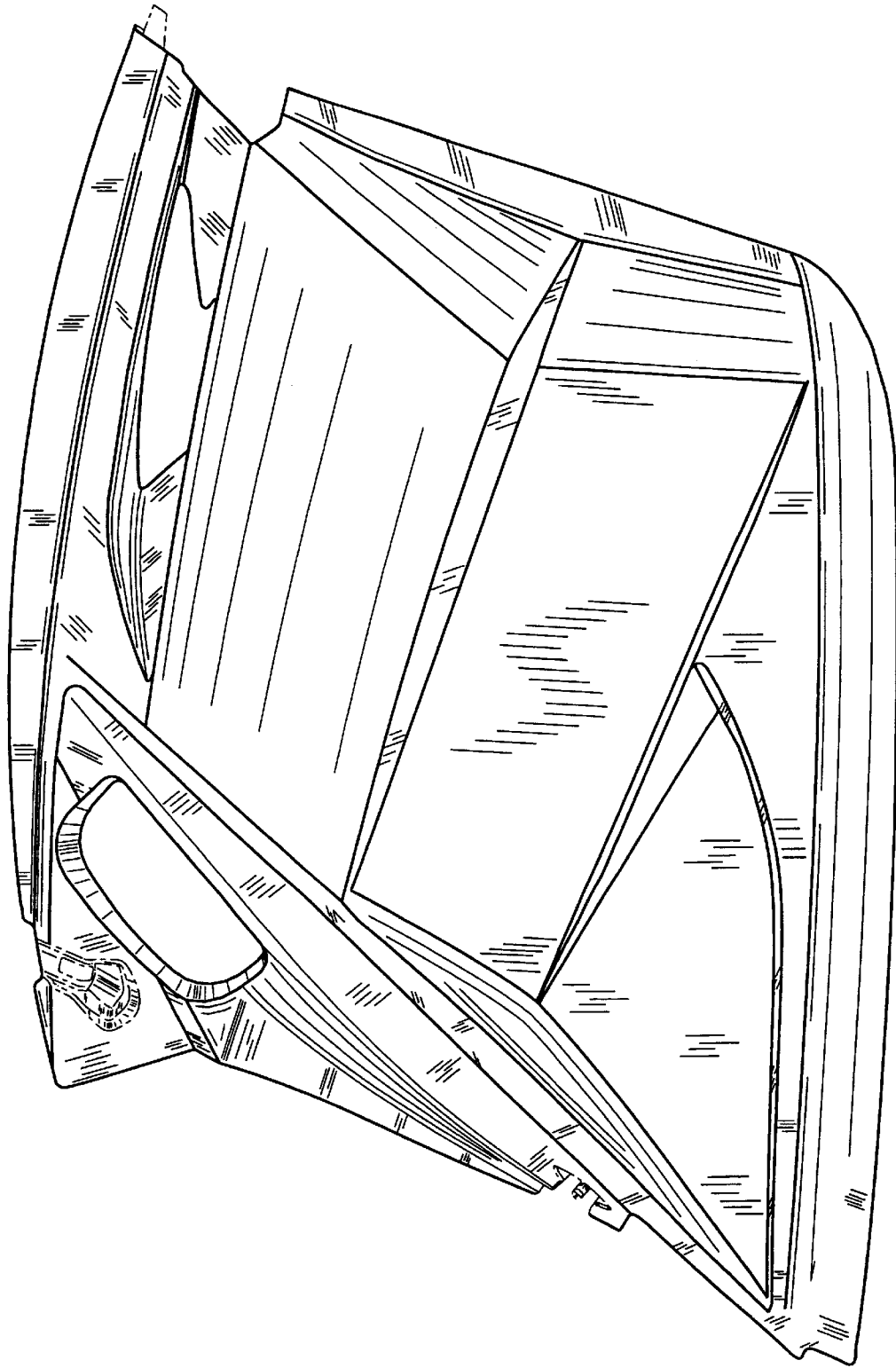
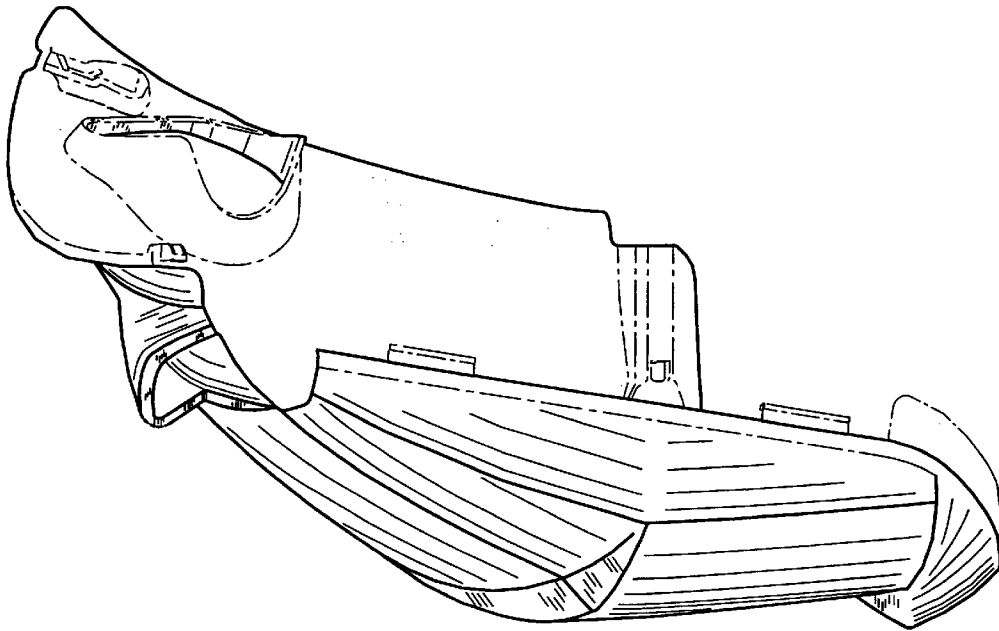


FIG. 2



**FIG. 3**

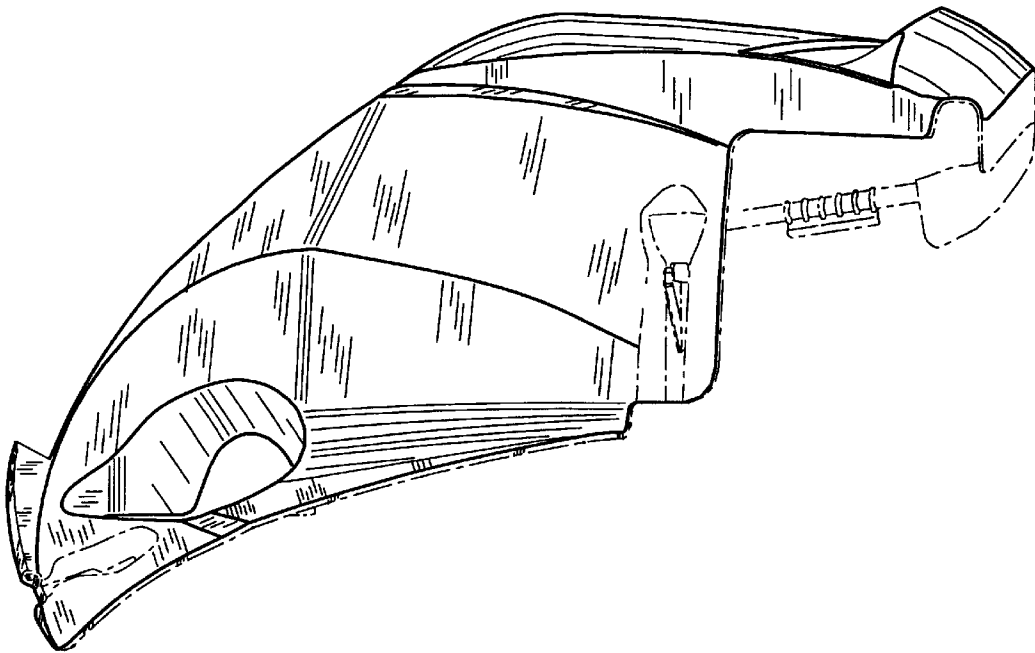


FIG. 4

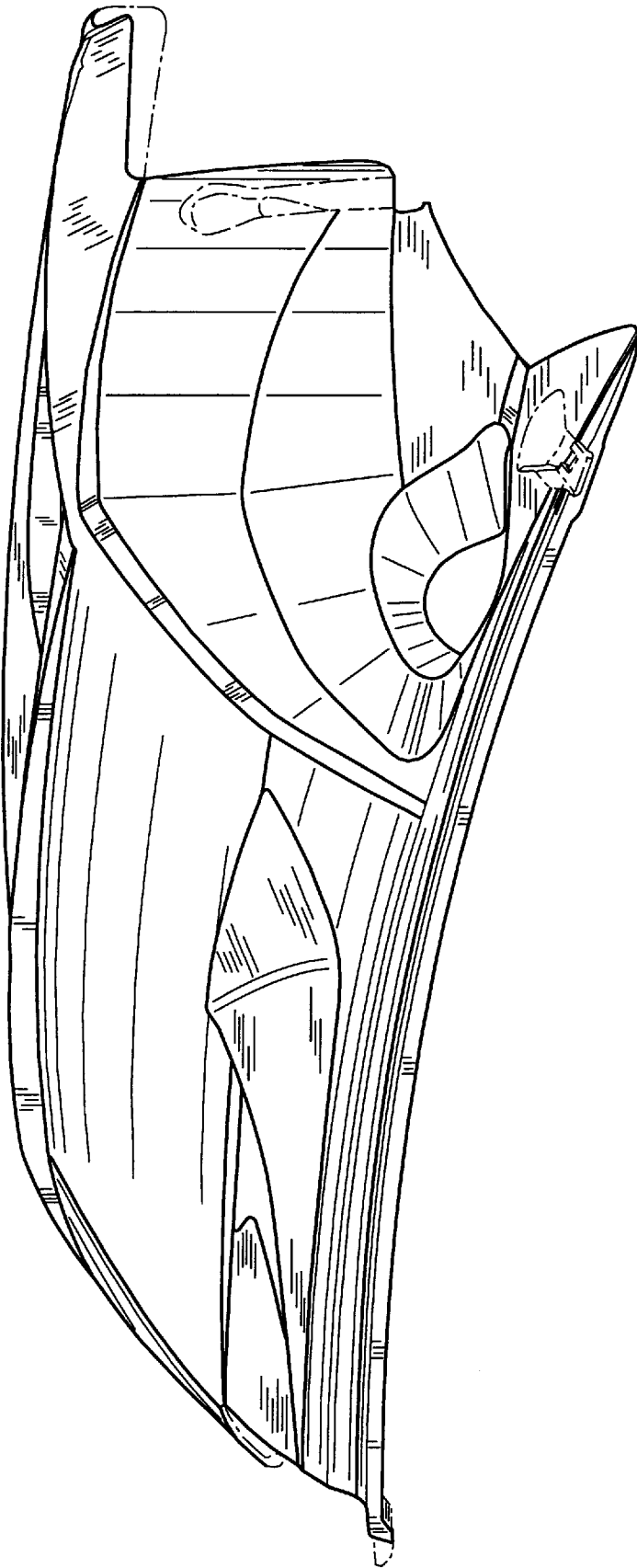


FIG. 5

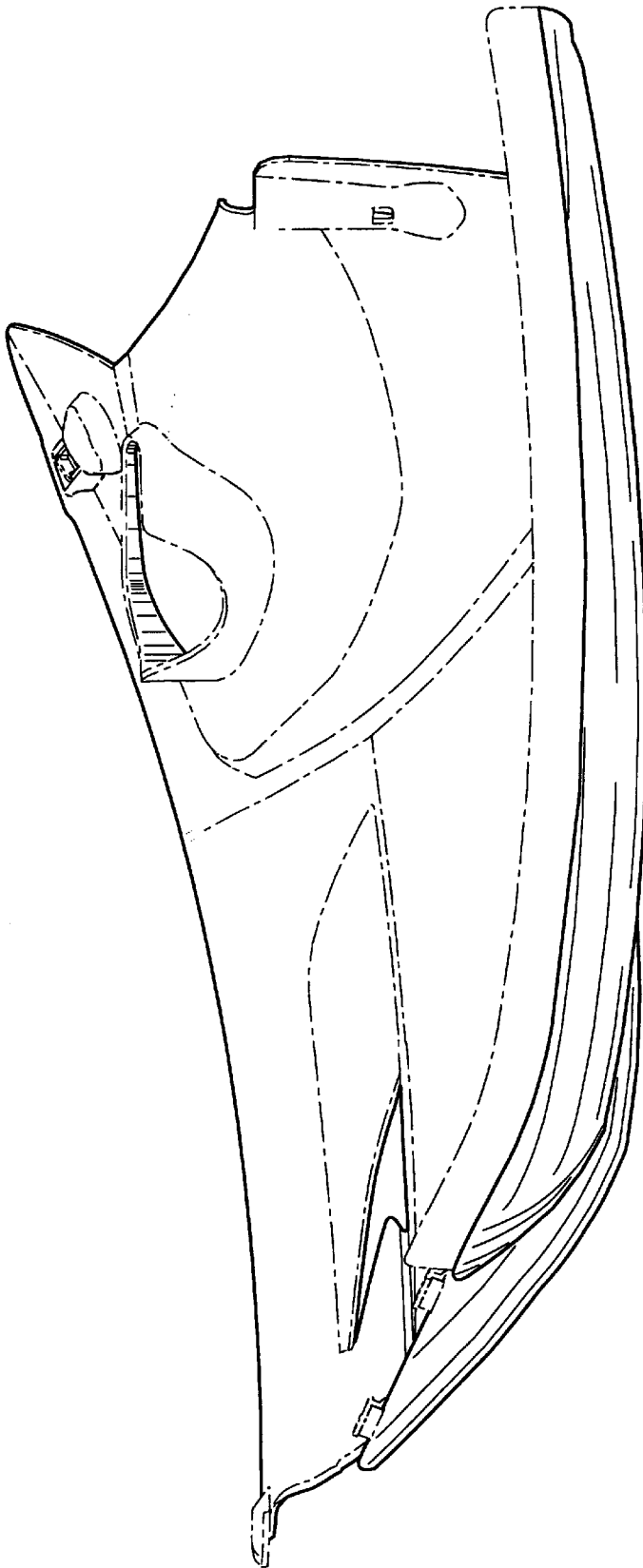


FIG. 6