



US00D741708S

(12) **United States Design Patent**  
**Thurin et al.**

(10) **Patent No.:** **US D741,708 S**

(45) **Date of Patent:** **\*\* Oct. 27, 2015**

(54) **CONTAINER**

(71) Applicant: **S.C. Johnson & Son, Inc.**, Racine, WI  
(US)

(72) Inventors: **Matthew N. Thurin**, Wauwatosa, WI  
(US); **Christopher M. Wlezien**,  
Chicago, IL (US); **Rachel Sandoval**,  
Chicago, IL (US)

(73) Assignee: **S.C. Johnson & Son, Inc.**, Racine, WI  
(US)

4,483,455 A	11/1984	Prophet, Jr. et al.
D279,251 S	6/1985	Daenen et al.
4,562,937 A	1/1986	Iyengar
4,700,842 A	10/1987	Grusin
4,742,935 A	5/1988	Schellenberg
4,844,263 A	7/1989	Hadtke
4,899,925 A	2/1990	Bowden et al.
4,951,832 A	8/1990	Tenney et al.
5,184,745 A	2/1993	Havens et al.
5,356,026 A	10/1994	Andress et al.
5,377,860 A	1/1995	Littlejohn et al.
5,409,126 A	4/1995	DeMars

(Continued)

(\*\*) Term: **14 Years**

(21) Appl. No.: **29/469,505**

(22) Filed: **Oct. 10, 2013**

(51) **LOC (10) Cl.** ..... **09-03**

(52) **U.S. Cl.** ..... **D9/428; D7/629**  
USPC ..... **D9/428; D7/629**

(58) **Field of Classification Search**

USPC ..... D9/424, 430, 435, 449, 452, 428, 432;  
D7/391, 392, 392.1, 397, 538, 542,  
D7/602, 629; 220/212, 213, 260, 574, 660,  
220/675, 781, 782, 783, 790, 791, 794  
CPC ..... B65D 2543/0029; B65D 21/02  
See application file for complete search history.

FOREIGN PATENT DOCUMENTS

GB	Des. 4021888	10/2011
WO	WO 2012/009035 A1	1/2012

OTHER PUBLICATIONS

Co-pending U.S. Appl. No. 29/461,249, filed Jul. 19, 2013.

(Continued)

*Primary Examiner* — Robert M Spear  
*Assistant Examiner* — Kendra L Hamilton

(57) **CLAIM**

The ornamental design for a container, as shown and described.

(56) **References Cited**

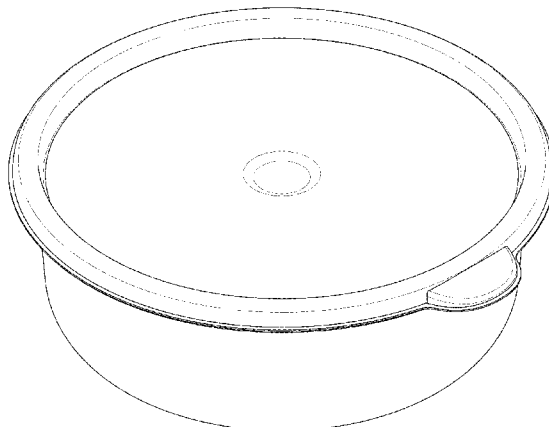
U.S. PATENT DOCUMENTS

1,542,115 A	6/1925	Weis
2,412,325 A	12/1946	Devine et al.
2,575,770 A	11/1951	Roop
2,606,586 A	8/1952	Hill
2,695,115 A	11/1954	Roop
3,117,692 A	1/1964	Carpenter et al.
3,262,602 A	7/1966	McConnell et al.
3,338,468 A	8/1967	Wilson
3,452,896 A	7/1969	Elliot
3,589,554 A	6/1971	Smith
3,981,401 A	9/1976	Blanchard

**DESCRIPTION**

FIG. 1 is a top perspective view of a container showing our new design;  
FIG. 2 is a front view thereof;  
FIG. 3 is a left side view thereof;  
FIG. 4 is a rear view thereof;  
FIG. 5 is a right side view thereof;  
FIG. 6 is a top view thereof;  
FIG. 7 is a bottom view thereof; and,  
FIG. 8 is a bottom perspective view thereof.

**1 Claim, 8 Drawing Sheets**



(56)

References Cited

U.S. PATENT DOCUMENTS

D360,105 S	7/1995	Doxey	D536,923 S	2/2007	Roth et al.	
5,542,234 A	8/1996	Wyslowsky et al.	D539,098 S *	3/2007	Tucker et al. ....	D7/629
5,560,315 A	10/1996	Lampe	D542,100 S	5/2007	Kim	
5,586,656 A	12/1996	Abrums	D543,077 S *	5/2007	Kim .....	D7/629
5,634,559 A	6/1997	Foos et al.	7,216,769 B2	5/2007	Palder	
D388,325 S	12/1997	Tucker et al.	D545,618 S	7/2007	Zettle et al.	
5,692,617 A	12/1997	Adams	D547,177 S	7/2007	Sherman et al.	
5,709,304 A	1/1998	Credle, Jr.	D548,538 S	8/2007	Liu	
D390,109 S	2/1998	Tucker et al.	7,261,219 B2	8/2007	Tucker et al.	
5,769,229 A	6/1998	Andress et al.	D551,496 S	9/2007	Ablo et al.	
5,799,792 A	9/1998	Abrums	7,264,135 B2	9/2007	Savicki et al.	
5,810,187 A	9/1998	Woodring	D555,475 S	11/2007	Enriquez et al.	
D411,741 S	6/1999	Wilson et al.	D555,982 S *	11/2007	Tucker et al. ....	D7/629
5,992,679 A	11/1999	Porchia et al.	D556,517 S	12/2007	Lown et al.	
D419,394 S *	1/2000	Wilson et al. ....	7,347,327 B2	3/2008	Lobman et al.	
D419,829 S	2/2000	Wilson et al.	D566,483 S *	4/2008	Tucker et al. ....	D7/629
D420,252 S	2/2000	Loew et al.	7,357,272 B2	4/2008	Maxwell	
6,032,827 A	3/2000	Zettle et al.	D568,693 S	5/2008	Furlong	
D427,063 S	6/2000	May	D568,694 S	5/2008	Furlong	
D428,310 S	7/2000	Zettle et al.	D569,722 S	5/2008	Stamper et al.	
6,168,044 B1	1/2001	Zettle et al.	7,380,412 B2	6/2008	Roth et al.	
6,170,696 B1	1/2001	Tucker et al.	D575,100 S	8/2008	Liu	
D439,744 S	4/2001	Ho	7,451,875 B1	11/2008	Norris	
D440,470 S	4/2001	Tucker et al.	D585,699 S	2/2009	Furlong	
D443,184 S	6/2001	Maxwell et al.	D586,179 S	2/2009	Furlong	
D443,798 S	6/2001	Tucker et al.	D588,417 S	3/2009	Doliwa	
D446,117 S	8/2001	Conti	D589,759 S	4/2009	Ozery et al.	
D447,382 S	9/2001	Tucker et al.	7,549,540 B2	6/2009	Lee et al.	
D448,606 S	10/2001	Conti	D603,697 S	11/2009	Edwards et al.	
D448,969 S	10/2001	Conti	D606,812 S	12/2009	Wu	
D449,495 S	10/2001	Tucker et al.	7,661,528 B2	2/2010	Vovan et al.	
D450,983 S	11/2001	Tucker et al.	D611,807 S	3/2010	Miga, Jr.	
D451,769 S	12/2001	Stanos et al.	D612,196 S *	3/2010	Furlong .....	D7/392.1
6,415,945 B1	7/2002	Zank et al.	D613,111 S	4/2010	Furlong	
D462,880 S	9/2002	Maxwell et al.	D615,349 S	5/2010	Furlong	
6,467,647 B1	10/2002	Tucker et al.	D618,516 S	6/2010	DiPietro et al.	
D465,382 S	11/2002	Wolf et al.	7,726,483 B2	6/2010	Ramanujam et al.	
D466,364 S	12/2002	Demore	7,735,674 B2	6/2010	Cai	
D472,774 S	4/2003	Pelstring et al.	D620,321 S *	7/2010	Sperrazza .....	D7/629
6,557,720 B2	5/2003	Tosdale et al.	D621,667 S *	8/2010	Ablo .....	D7/629
D478,469 S *	8/2003	Roth et al. ....	7,866,502 B2	1/2011	Maxwell	
D485,468 S	1/2004	Roth et al.	D642,057 S *	7/2011	Reed et al. ....	D9/453
D485,473 S	1/2004	Dais et al.	D642,861 S	8/2011	Samartgis	
6,672,473 B2	1/2004	Tornaiainen et al.	8,006,513 B2	8/2011	Roth et al.	
6,685,049 B1	2/2004	Paladino	8,011,205 B2	9/2011	Roth et al.	
D490,278 S	5/2004	Welsh	8,074,830 B2	12/2011	Pomfrey	
6,729,472 B2	5/2004	Stucke et al.	8,083,084 B2	12/2011	Vovan	
6,761,041 B2	7/2004	Roth et al.	8,083,095 B2	12/2011	Hui	
6,796,430 B2	9/2004	Mercier et al.	8,118,190 B2	2/2012	Coonce	
6,874,650 B2	4/2005	Welsh et al.	8,123,064 B2	2/2012	Vovan	
6,886,694 B2	5/2005	McNeeley et al.	8,146,766 B2	4/2012	Vovan et al.	
D505,835 S	6/2005	Schultz et al.	8,157,123 B2	4/2012	Tucker et al.	
D505,839 S	6/2005	Stanos et al.	8,308,021 B2	11/2012	Turvey et al.	
D505,840 S	6/2005	Schultz et al.	8,322,530 B2	12/2012	Furlong	
D506,106 S	6/2005	Ordiway et al.	8,381,909 B2	2/2013	Hernandez et al.	
D506,359 S	6/2005	Zettle et al.	D677,568 S	3/2013	Sina	
6,910,599 B2	6/2005	Tucker et al.	D697,366 S *	1/2014	Kristinik .....	D7/392.1
D507,155 S	7/2005	Gosen et al.	D723,340 S *	3/2015	Maxwell et al. ....	D7/629
D507,937 S	8/2005	Dais et al.	2004/0144781 A1	7/2004	Dees et al.	
D508,187 S	8/2005	Dais et al.	2004/0245261 A1 *	12/2004	Stanos et al. ....	220/793
D508,188 S	8/2005	Zettle et al.	2006/0011626 A1	1/2006	Palder	
D511,435 S	11/2005	Roth et al.	2006/0070907 A1	4/2006	O'Shea	
D512,278 S	12/2005	Schultz et al.	2007/0119743 A1	5/2007	Tucker et al.	
D514,390 S	2/2006	Palder	2007/0187277 A1	8/2007	Furlong	
D516,859 S	3/2006	Zettle et al.	2008/0105630 A1	5/2008	Lown	
7,017,775 B2	3/2006	Zettle et al.	2009/0084796 A1	4/2009	Coonce et al.	
7,032,773 B2	4/2006	Dees et al.	2009/0145797 A1	6/2009	Steinmeyer	
D522,319 S	6/2006	Palder	2009/0173656 A1	7/2009	Furlong	
7,063,231 B2	6/2006	Stanos et al.	2010/0006467 A1	1/2010	Joseph et al.	
D526,161 S	8/2006	Roth et al.	2010/0065461 A1	3/2010	Chhay	
D527,224 S	8/2006	Roth et al.	2010/0170824 A1	7/2010	Ramanujam et al.	
D527,951 S	9/2006	Roth et al.	2010/0176022 A1	7/2010	Furlong	
D527,952 S	9/2006	Roth et al.	2010/0181323 A1	7/2010	Thaler et al.	
D527,954 S	9/2006	Roth	2010/0200588 A1	8/2010	Bergman et al.	
D536,922 S	2/2007	Roth et al.	2011/0031153 A1	2/2011	Vovan	
			2011/0114638 A1	5/2011	Kettner et al.	
			2011/0309075 A1	12/2011	Roth et al.	

(56)

**References Cited**

U.S. PATENT DOCUMENTS

2011/0315702 A1 12/2011 Leboeuf et al.  
2012/0006837 A1 1/2012 Becklin  
2012/0048874 A1 3/2012 Oakes et al.

OTHER PUBLICATIONS

Co-pending U.S. Appl. No. 29/461,250, filed Jul. 19, 2013.  
Co-pending U.S. Appl. No. 29/461,251, filed Jul. 19, 2013.  
Co-pending U.S. Appl. No. 29/461,252, filed Jul. 19, 2013.  
Co-pending U.S. Appl. No. 29/461,253, filed Jul. 19, 2013.  
Co-pending U.S. Appl. No. 29/461,254, filed Jul. 19, 2013.  
Co-pending U.S. Appl. No. 29/461,255, filed Jul. 19, 2013.  
Co-pending U.S. Appl. No. 29/461,256, filed Jul. 19, 2013.  
Co-pending U.S. Appl. No. 29/461,257, filed Jul. 19, 2013.

Co-pending U.S. Appl. No. 29/461,258, filed Jul. 19, 2013.  
Co-pending U.S. Appl. No. 29/461,259, filed Jul. 19, 2013.  
Co-pending U.S. Appl. No. 29/461,260, filed Jul. 19, 2013.  
Co-pending U.S. Appl. No. 29/461,261, filed Jul. 19, 2013.  
Co-pending U.S. Appl. No. 29/469,506, filed Oct. 10, 2013.  
Co-pending U.S. Appl. No. 13/946,513, filed Jul. 19, 2013.  
Infantino Annabel Karmel Feeding Accessories, <<http://www.thanksmailcarrier.com/2010/11/infantino-annabel-karmel-feeding.html>>, accessed Jan. 25, 2013.  
LunchBlox™ Sandwich Kit, <[http://www.rubbermaid.com/category/pages/productdetail.aspx?Prod\\_ID=RP092026](http://www.rubbermaid.com/category/pages/productdetail.aspx?Prod_ID=RP092026)>, accessed Jan. 25, 2013.  
Play With Your Food: Lego Bento Box, <<http://kawaii-fabric.com/tag/fun-bento-boxes/>>, accessed Jan. 25, 2013.  
Set of 5 Stackable Containers, <<http://www.etsy.com/listing/50125726/set-5-of-stackable-containers>>, accessed Jan. 25, 2013.

\* cited by examiner

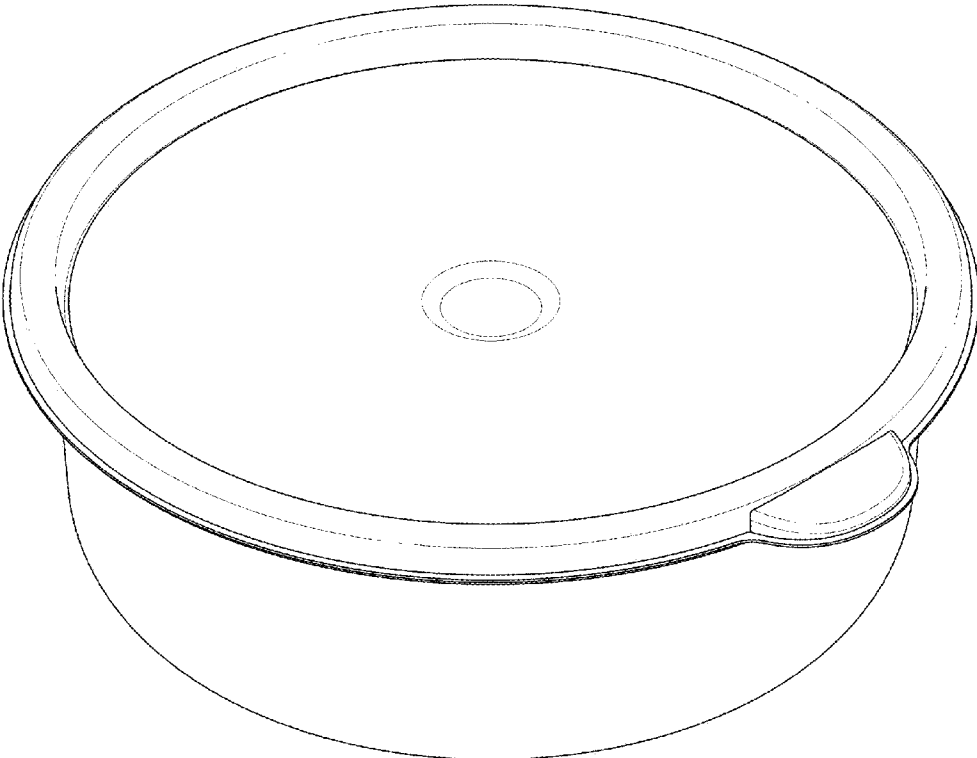


FIG. 1

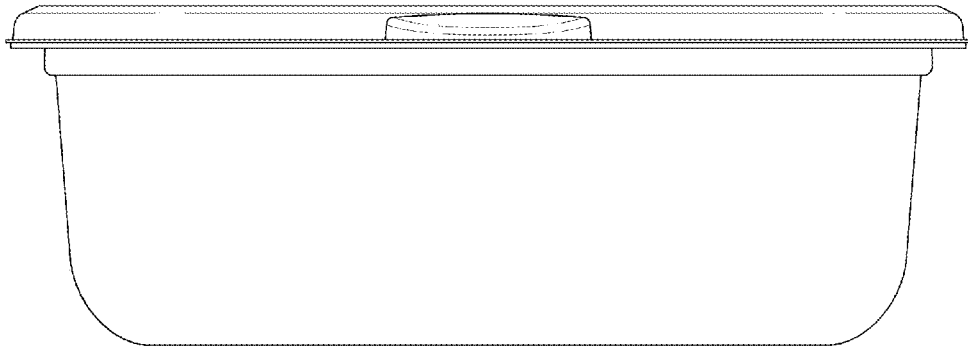


FIG. 2

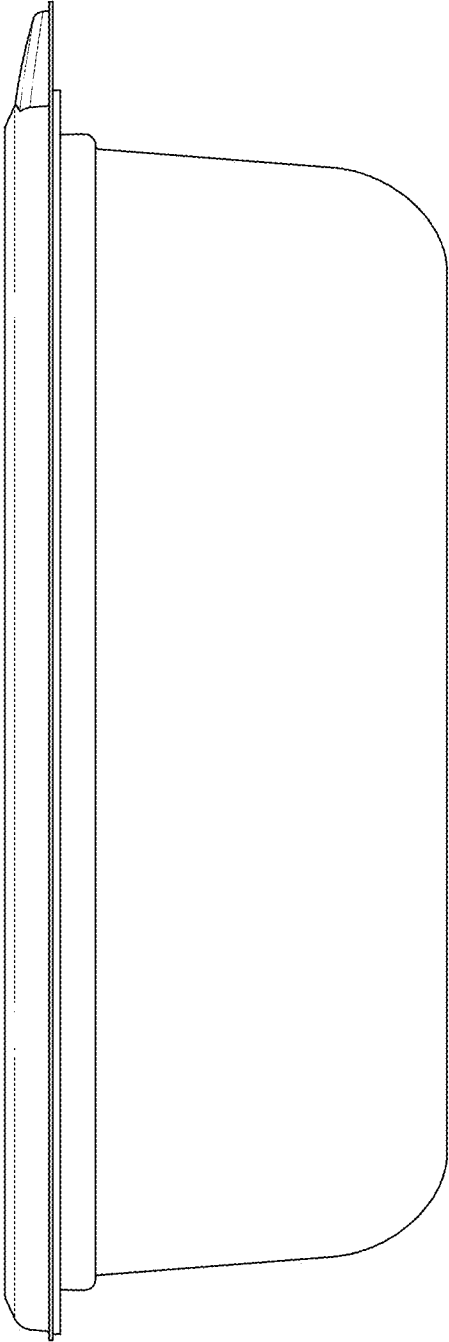


FIG. 3

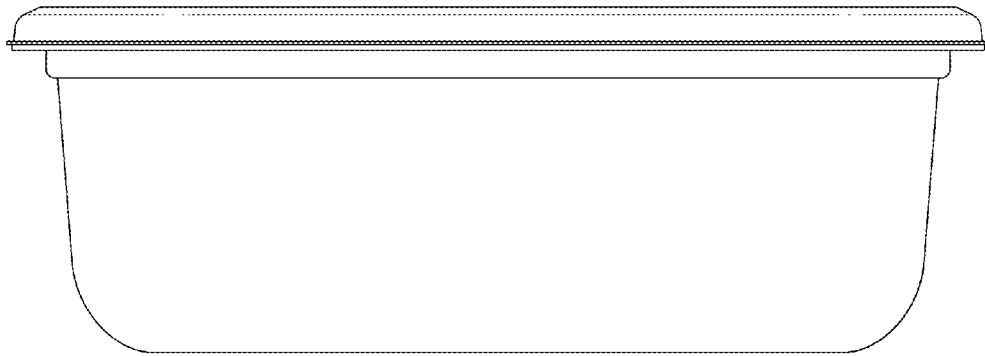


FIG. 4

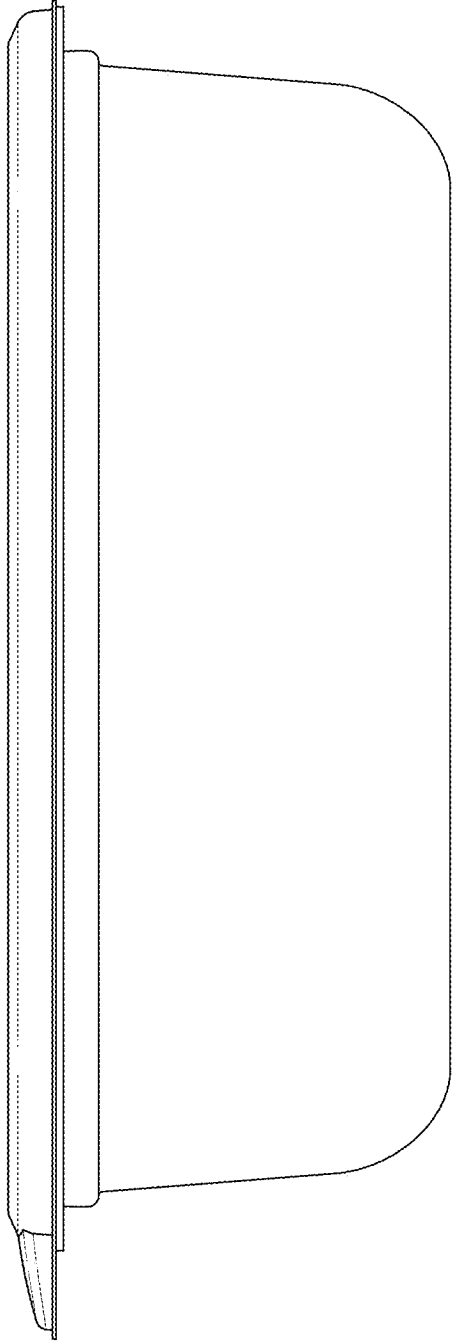


FIG. 5



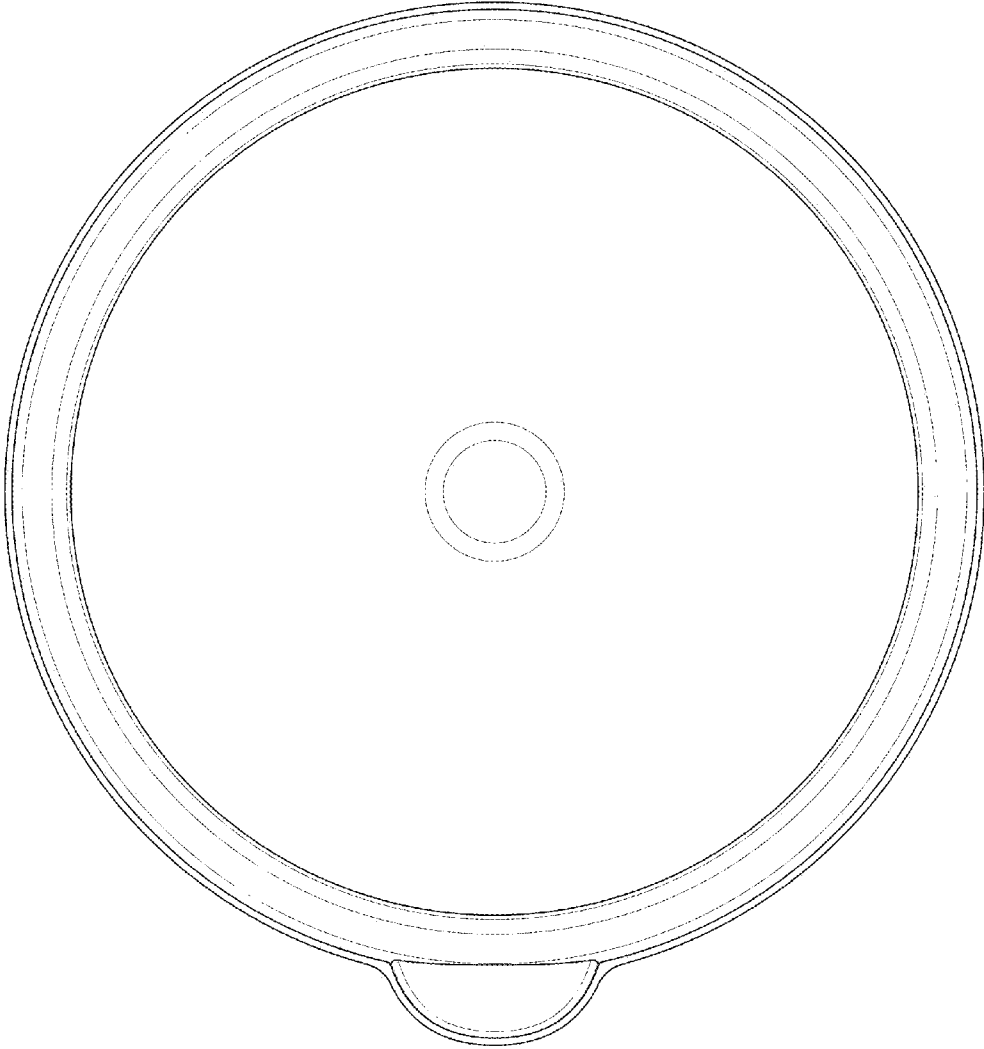


FIG. 6

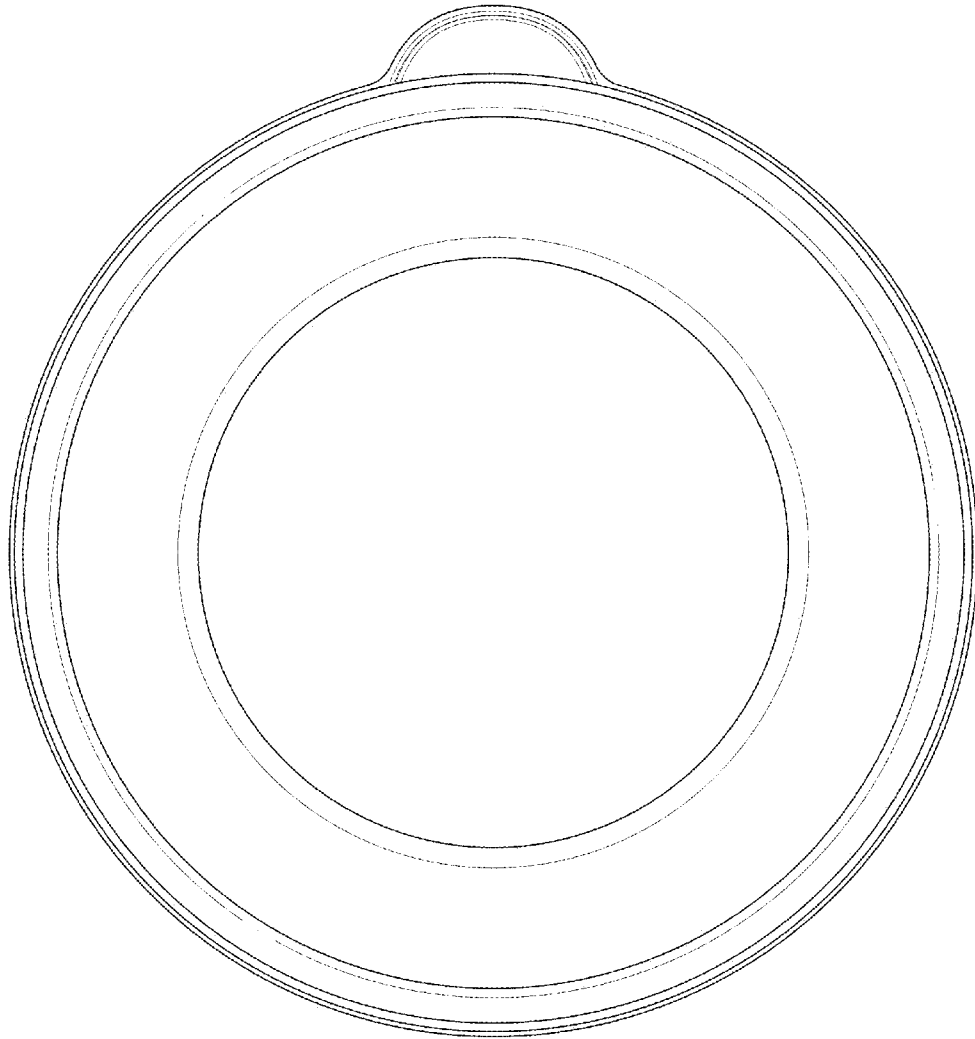


FIG. 7

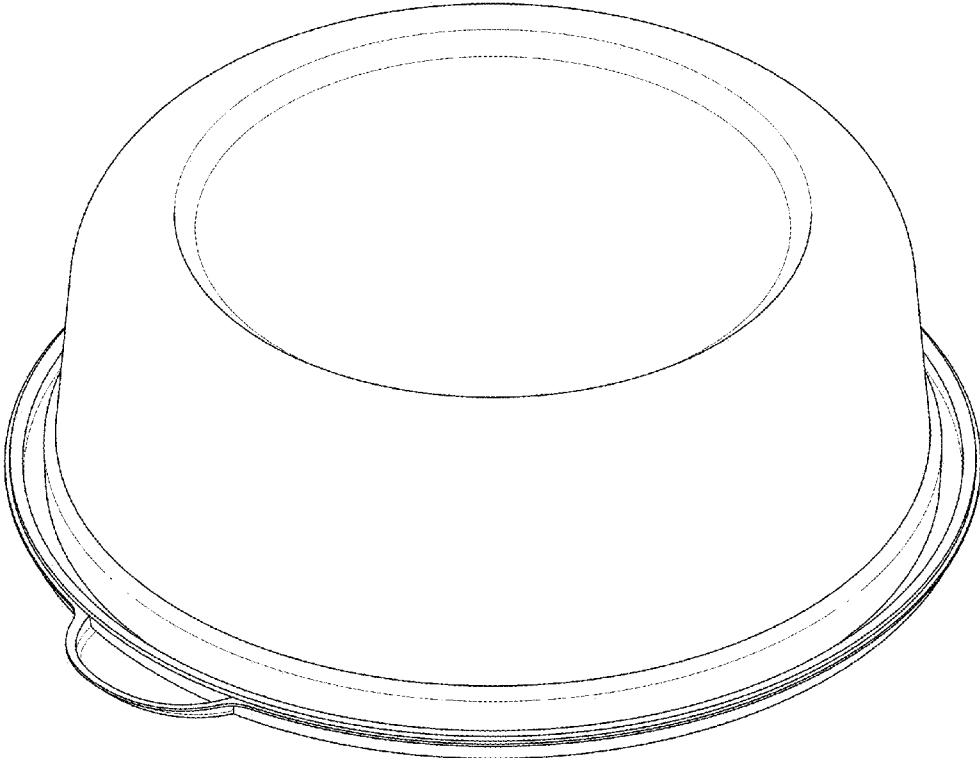


FIG. 8