

(19) World Intellectual Property Organization  
International Bureau



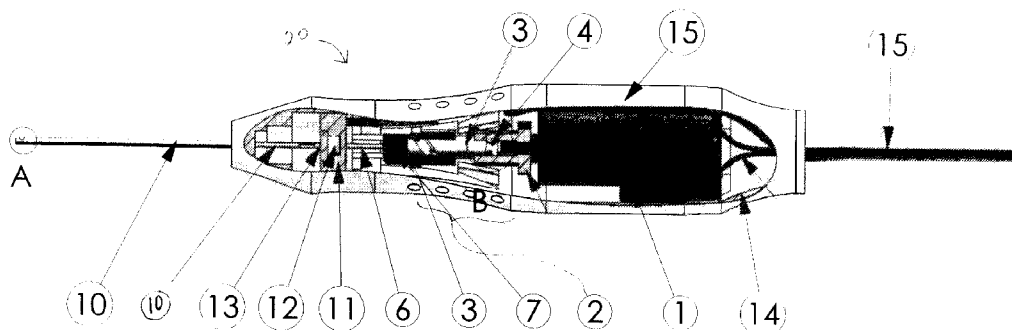
(43) International Publication Date  
3 July 2008 (03.07.2008)

PCT

(10) International Publication Number  
**WO 2008/080148 A3**

- (51) International Patent Classification:  
A61B 17/32 (2006.01)
  - (21) International Application Number:  
PCT/US2007/088745
  - (22) International Filing Date:  
21 December 2007 (21.12.2007)
  - (25) Filing Language: English
  - (26) Publication Language: English
  - (30) Priority Data:  
60/876,796 21 December 2006 (21.12.2006) US
  - (71) Applicant (for all designated States except US): DO-HENY EYE INSTITUTE [US/US]; 1450 San Pablo Street, #3000, Los Angeles, CA 90033 (US).
  - (72) Inventors; and
  - (75) Inventors/Applicants (for US only): BARNES, Aaron [US/US]; 1450 San Pablo Street, #3000, Washington, DC (US). DE BOER, Charles [US/US]; 1450 San Pablo Street, #3000, Pasadena, CA (US). MCCORMICK, Matthew [US/US]; 1450 San Pablo Street, #3000, Forest Falls, CA (US).
  - (74) Agent: CHANG, Josephine; Christie, Parker & Hale, LLP, P.O. Box 7068, Pasadena, CA 91109-7068 (US).
  - (81) Designated States (unless otherwise indicated, for every kind of national protection available): AE, AG, AL, AM, AT, AU, AZ, BA, BB, BG, BH, BR, BW, BY, BZ, CA, CH, CN, CO, CR, CU, CZ, DE, DK, DM, DO, DZ, EC, EE, EG, ES, FI, GB, GD, GE, GH, GM, GT, HN, HR, HU, ID, IL, IN, IS, JP, KE, KG, KM, KN, KP, KR, KZ, LA, LC, LK, LR, LS, LT, LU, LY, MA, MD, ME, MG, MK, MN, MW, MX, MY, MZ, NA, NG, NI, NO, NZ, OM, PG, PH, PL, PT, RO, RS, RU, SC, SD, SE, SG, SK, SL, SM, SV, SY, TJ, TM, TN, TR, TT, TZ, UA, UG, US, UZ, VC, VN, ZA, ZM, ZW.
  - (84) Designated States (unless otherwise indicated, for every kind of regional protection available): ARIPO (BW, GH, GM, KE, LS, MW, MZ, NA, SD, SL, SZ, TZ, UG, ZM, ZW), Eurasian (AM, AZ, BY, KG, KZ, MD, RU, TJ, TM), European (AT, BE, BG, CH, CY, CZ, DE, DK, EE, ES, FI, FR, GB, GR, HU, IE, IS, IT, LT, LU, LV, MC, MT, NL, PL, PT, RO, SE, SI, SK, TR), OAPI (BF, BJ, CF, CG, CI, CM, GA, GN, GQ, GW, ML, MR, NE, SN, TD, TG).
- Published:  
— with international search report
- (88) Date of publication of the international search report:  
16 October 2008

(54) Title: DISPOSABLE VITRECTOMY HANDPIECE



(57) Abstract: Electric vitrectomy handpieces are provided. The handpiece includes a motor, a clutch mechanism, an oscillating drive mechanism, a cutting tip and a handle. The motor is attached to the clutch, and the clutch is attached to the oscillating drive mechanism. When the motor is operational, the clutch expands to engage the oscillating drive mechanism and the oscillating drive mechanism converts the rotational motion of the clutch to the reciprocating motion of the cutting tip. When the motor is at rest, the clutch retracts to allow aspiration.

WO 2008/080148 A3

## INTERNATIONAL SEARCH REPORT

International application No.

PCT/US 07/88745

<b>A. CLASSIFICATION OF SUBJECT MATTER</b> IPC(8) - A61B 17/32 (2008.04) USPC - 606/167 According to International Patent Classification (IPC) or to both national classification and IPC		
<b>B. FIELDS SEARCHED</b> Minimum documentation searched (classification system followed by classification symbols) IPC(8) - A61B 17/32 (2008.04) USPC - 606/167 Documentation searched other than minimum documentation to the extent that such documents are included in the fields searched USPC - 606/170 604/22 Electronic data base consulted during the international search (name of data base and, where practicable, search terms used) PubWEST(USPT,PGPB,EPAB,JPAB); Google Scholar: vitreous cutter, vitrectomy, clutch, engage cutter, disengage/release cutter, motor, aspiration, rubber, insulation, insulator, foam, silicone, surgical cutter, cutter		
<b>C. DOCUMENTS CONSIDERED TO BE RELEVANT</b>		
Category*	Citation of document, with indication, where appropriate, of the relevant passages	Relevant to claim No.
Y	US 4,909,249 A (AKKAS et al.) 20 Mar 1990 (20.03.1990); col 1, ln 39-44, col 2, ln 16-18, col 3, ln 9-33 and FIGS. 1 & 2	1-16
Y	US 6,258,111 B1 (ROSS et al.) 10 Jul 2001 (10.07.2001); col 6, ln 1-5, col 8, ln 1-2, col 7, ln 50-55, col 13, ln 55-58 and FIG. 1	1-18
Y	US 2006/0281599 A1 (MURAKAMI et al.) 14 Dec 2006 (14.12.2006); para [0033]	17 and 18
Y	US 2005/0256512 A1 (DEL RIO et al.) 17 Nov 2005 (17.11.2005); para [0056]	13-16
<input type="checkbox"/> Further documents are listed in the continuation of Box C. <input type="checkbox"/>		
* Special categories of cited documents: "A" document defining the general state of the art which is not considered to be of particular relevance "E" earlier application or patent but published on or after the international filing date "L" document which may throw doubts on priority claim(s) or which is cited to establish the publication date of another citation or other special reason (as specified) "O" document referring to an oral disclosure, use, exhibition or other means "P" document published prior to the international filing date but later than the priority date claimed "T" later document published after the international filing date or priority date and not in conflict with the application but cited to understand the principle or theory underlying the invention "X" document of particular relevance; the claimed invention cannot be considered novel or cannot be considered to involve an inventive step when the document is taken alone "Y" document of particular relevance; the claimed invention cannot be considered to involve an inventive step when the document is combined with one or more other such documents, such combination being obvious to a person skilled in the art "&" document member of the same patent family		
Date of the actual completion of the international search 17 May 2008 (17.05.2008)		Date of mailing of the international search report <b>02 JUN 2008</b>
Name and mailing address of the ISA/US Mail Stop PCT, Attn: ISA/US, Commissioner for Patents P.O. Box 1450, Alexandria, Virginia 22313-1450 Facsimile No. 571-273-3201		Authorized officer: Lee W. Young PCT Helpdesk: 571-272-4300 PCT OSP: 571-272-7774