



US0D1065327S

(12) **United States Design Patent**
Zhao

(10) **Patent No.:** **US D1,065,327 S**

(45) **Date of Patent:** **** Mar. 4, 2025**

- (54) **PEN**
- (71) Applicant: **Chongbiao Zhao**, Ningbo (CN)
- (72) Inventor: **Chongbiao Zhao**, Ningbo (CN)
- (**) Term: **15 Years**
- (21) Appl. No.: **29/846,514**
- (22) Filed: **Jul. 18, 2022**
- (51) **LOC (15) Cl.** **19-06**
- (52) **U.S. Cl.**
USPC **D19/169**
- (58) **Field of Classification Search**
USPC D14/411, 480.3, 264; D19/115, 117,
D19/163, 164, 168, 170, 173, 174, 177,
D19/178, 179, 186, 196, 197, 199, 204,
D19/901, 902, 906, 914, 916, 924, 929,
D19/932, 934, 139, 166, 167, 171, 121,
D19/130, 183, 175; D28/7, 9, 76, 77, 86,
D28/88, 89; D27/101, 146, 162, 163;
D24/113; D26/37, 38; 15/443; D20/23;
D8/104; D3/220
CPC B43K 7/005; B43K 29/00; C09D 10/00;
G06F 3/0383; G11B 3/48
See application file for complete search history.

- D506,500 S * 6/2005 Qiu D19/166
- D562,387 S * 2/2008 Qiu D19/933
- D569,438 S * 5/2008 Bhavnani D19/195
- D572,308 S * 7/2008 Bhavnani D19/195
- D579,979 S * 11/2008 Bhavnani D19/918
- D611,536 S * 3/2010 Bridge D19/912

(Continued)

OTHER PUBLICATIONS

Pentel Pens, Amazon.com, published Dec. 20, 2010, retrieved Feb. 15, 2024, U.S. Appl. No. 29/846,514—<https://shorturl.at/w3456> (Year: 2010).*

(Continued)

Primary Examiner — L. A. Grabenstetter
Assistant Examiner — Danielle Nichole Bowly

(57) **CLAIM**

The ornamental design for a pen, as shown and described.

DESCRIPTION

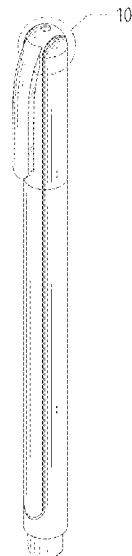
FIG. 1 is a first perspective view of a pen showing our new design;
 FIG. 2 is a second perspective view thereof;
 FIG. 3 is a front view thereof;
 FIG. 4 is a back view thereof;
 FIG. 5 is a left side view thereof;
 FIG. 6 is a right side view thereof;
 FIG. 7 is a top view thereof;
 FIG. 8 is a bottom view thereof;
 FIG. 9 is a perspective view of another state of the pen thereof; and,
 FIG. 10 is an enlarged view of the selected portion 10 in FIG. 1.
 The dash-dash broken lines shown in the drawings depict portions of the pen that form no part of the claimed design. The dash-dot broken lines represent the bounds of the enlarged view and form no part of the claimed design.

1 Claim, 10 Drawing Sheets

(56) **References Cited**

U.S. PATENT DOCUMENTS

- D138,032 S * 6/1944 Severy D19/164
- D324,067 S * 2/1992 Katami D19/910
- D390,872 S * 2/1998 Sunaga D19/117
- D416,940 S * 11/1999 Ito D19/166
- D423,576 S * 4/2000 Stevens D19/166
- D427,238 S * 6/2000 Beneyto D19/906
- D452,877 S * 1/2002 DeLuca 48/57
- D457,186 S * 5/2002 Moon D19/913
- D458,965 S * 6/2002 Oka D19/906
- D462,716 S * 9/2002 Tsuchida 48/57
- D500,338 S * 12/2004 Kommer D19/932
- D505,976 S * 6/2005 Qiu D19/166



(56)

References Cited

U.S. PATENT DOCUMENTS

D661,736	S	*	6/2012	Zhang	D19/165
D694,327	S	*	11/2013	Briggl	D19/933
D714,870	S	*	10/2014	Briggl	D19/933
D717,303	S	*	11/2014	Huang	D14/411
D812,058	S	*	3/2018	Lehman	D14/411
D832,255	S	*	10/2018	Jung	D14/411

OTHER PUBLICATIONS

Pentel RSVP Ballpoint Pen, Amazon.com, published May 16, 2008, retrieved May 18, 2024, U.S. Appl. No. 29/846,514—<https://shorturl.at/4rgx8> (Year: 2008).*

Pentel EnerGel NV Gel Ink Pen, Amazon.com, published Jun. 28, 2009, retrieved May 18, 2024, U.S. Appl. No. 29/846,514—<https://shorturl.at/FcRY9> (Year: 2009).*

* cited by examiner

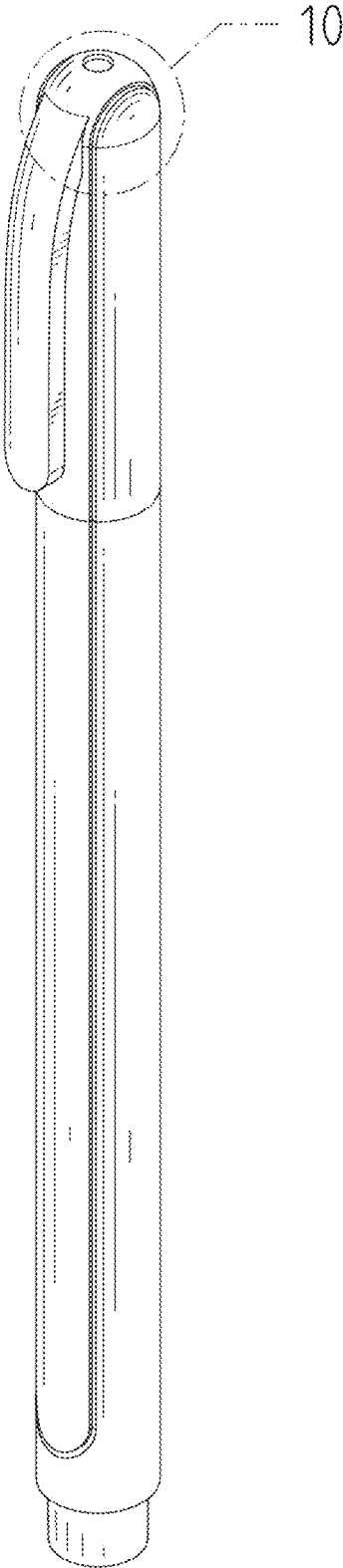


FIG. 1

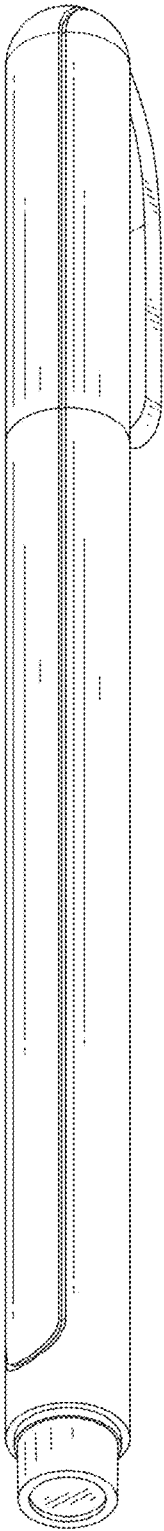


FIG. 2

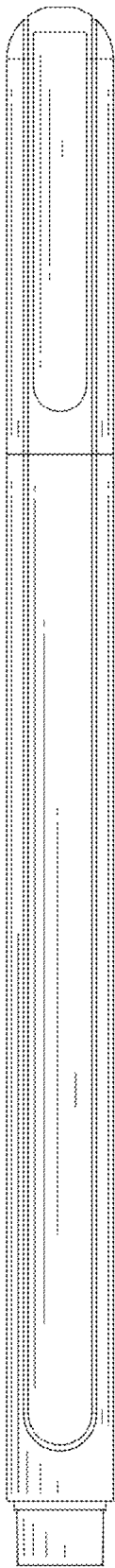


FIG. 3

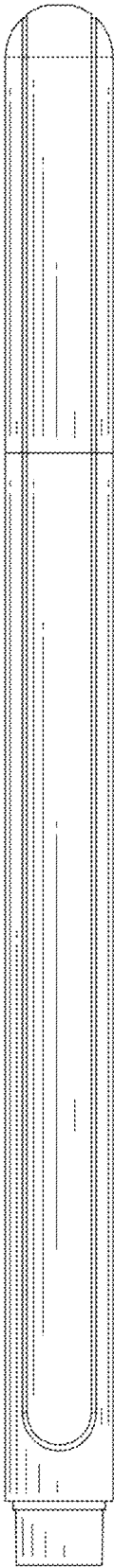


FIG. 4

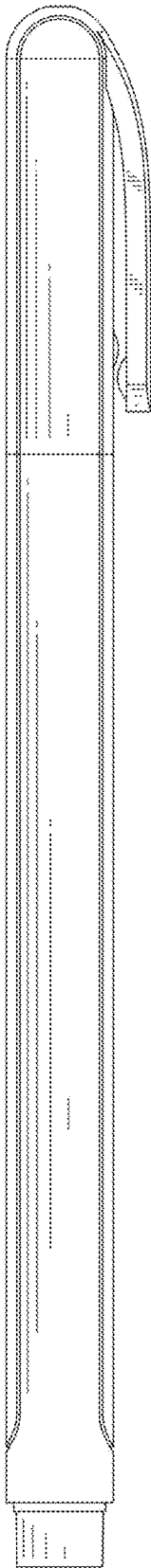


FIG. 5

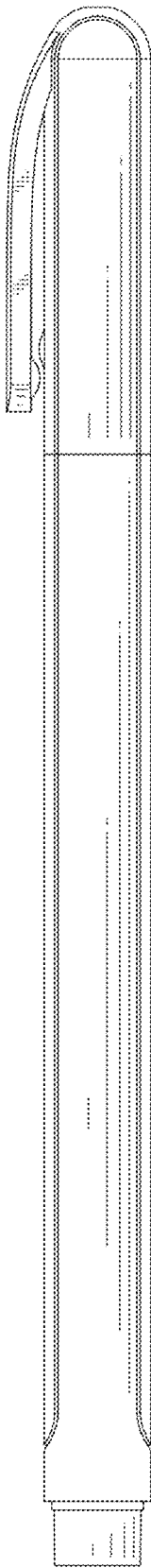


FIG. 6

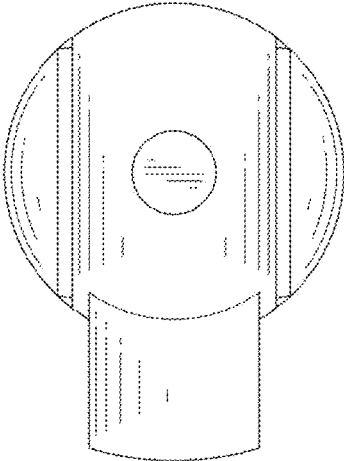


FIG. 7

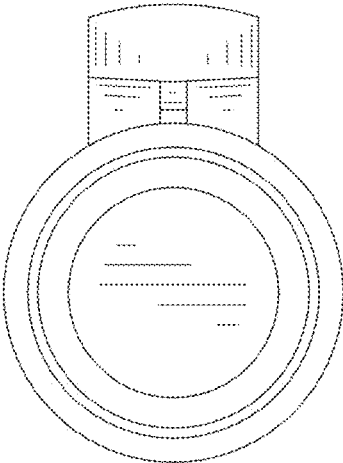


FIG. 8

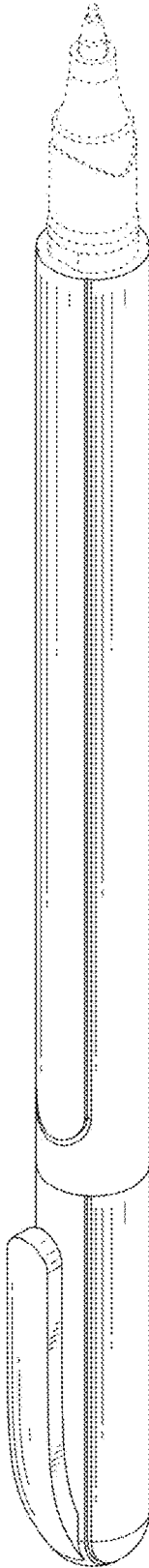


FIG. 9

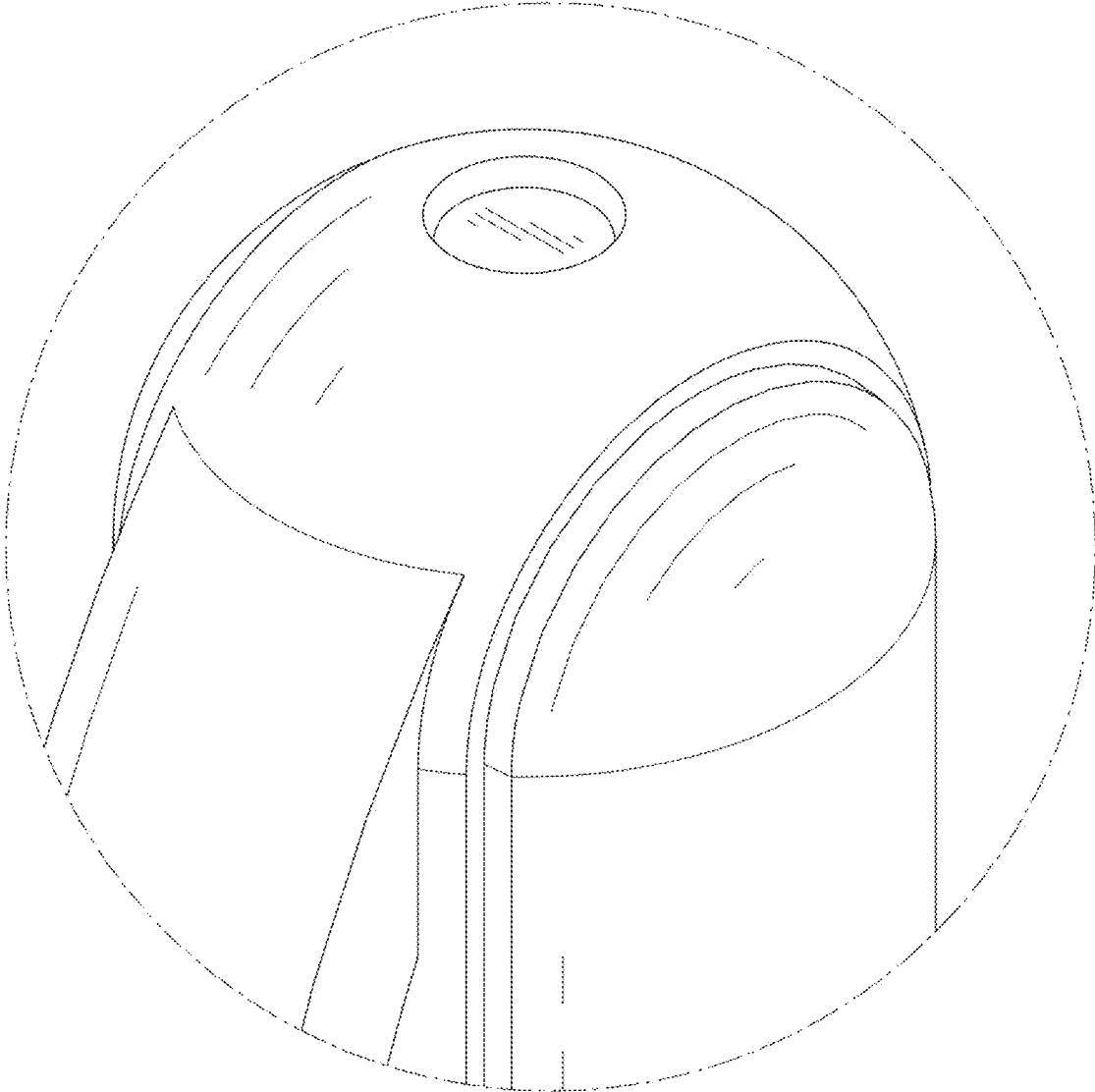


FIG. 10