



US00D616490S

(12) **United States Design Patent**
Lung et al.

(10) **Patent No.:** **US D616,490 S**

(45) **Date of Patent:** **** May 25, 2010**

(54) **PAPER SHREDDER**

(75) Inventors: **Ng Mun Lung**, Kowloon (HK); **Lau Hee Wing**, Kowloon (HK); **Leon Kuo Liang Yoong**, Wheelers Hill (AU)

(73) Assignee: **Techtronic Floor Care Technology Limited**, Tortola (VG)

(**) Term: **14 Years**

(21) Appl. No.: **29/328,170**

(22) Filed: **Nov. 20, 2008**

(51) **LOC (9) Cl.** **18-03**

(52) **U.S. Cl.** **D18/34.5**

(58) **Field of Classification Search** D18/34.1–34.9;
241/100, 236, 101.78, 36; 83/613, 614, 623,
83/485, 57–68; 30/294, 296.1, 275.4, 276
See application file for complete search history.

(56) **References Cited**

U.S. PATENT DOCUMENTS

| | | | | | | |
|-----------|----|---|---------|-----------------|-------|----------|
| D454,907 | S | * | 3/2002 | Ho | | D18/34.6 |
| D455,171 | S | * | 4/2002 | Ho | | D18/34.6 |
| D502,961 | S | * | 3/2005 | Lo | | D18/34.6 |
| 6,962,301 | B1 | * | 11/2005 | Chang | | 241/100 |
| 7,204,441 | B1 | * | 4/2007 | Hartnett et al. | | 241/100 |
| D551,697 | S | * | 9/2007 | Joachim et al. | | D18/34.5 |
| 7,398,936 | B1 | * | 7/2008 | Wang | | 241/100 |

| | | | | | | |
|-----------|----|---|---------|---------------|-------|----------|
| D587,297 | S | * | 2/2009 | Kent et al. | | D18/34.5 |
| 7,513,448 | B2 | * | 4/2009 | Ko | | 241/100 |
| D602,983 | S | * | 10/2009 | Kit et al. | | D18/34.5 |
| 7,604,187 | B1 | * | 10/2009 | Lo | | 241/100 |
| 7,635,102 | B2 | * | 12/2009 | Matlin et al. | | 241/100 |

* cited by examiner

Primary Examiner—Charles A Rademaker

(74) *Attorney, Agent, or Firm*—Fay Sharpe LLP

(57) **CLAIM**

The ornamental design for a paper shredder, as shown and described.

DESCRIPTION

FIG. 1 is a perspective view of a paper shredder showing our new design;

FIG. 2 is a front elevational view thereof;

FIG. 3 is a right side elevational view thereof;

FIG. 4 is a left side elevational view thereof;

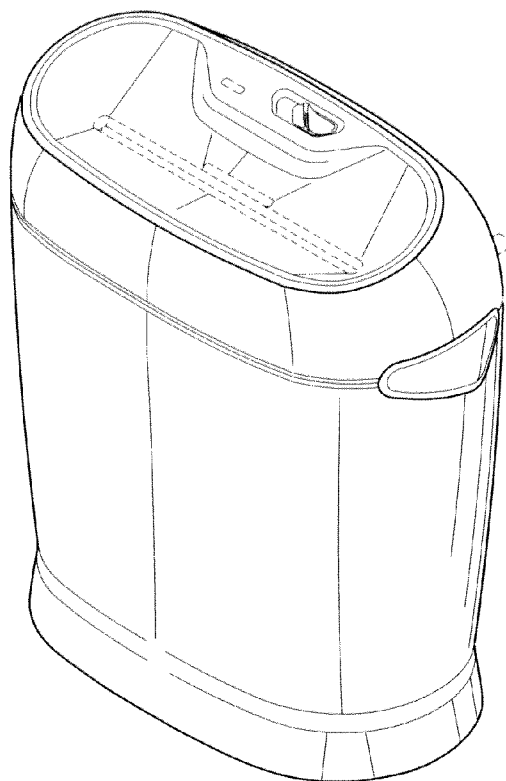
FIG. 5 is a rear plan view thereof;

FIG. 6 is a top plan view thereof; and,

FIG. 7 is a bottom plan view thereof.

The broken lines shown in the drawings illustrate structural environment and form no part of the claimed design.

1 Claim, 3 Drawing Sheets



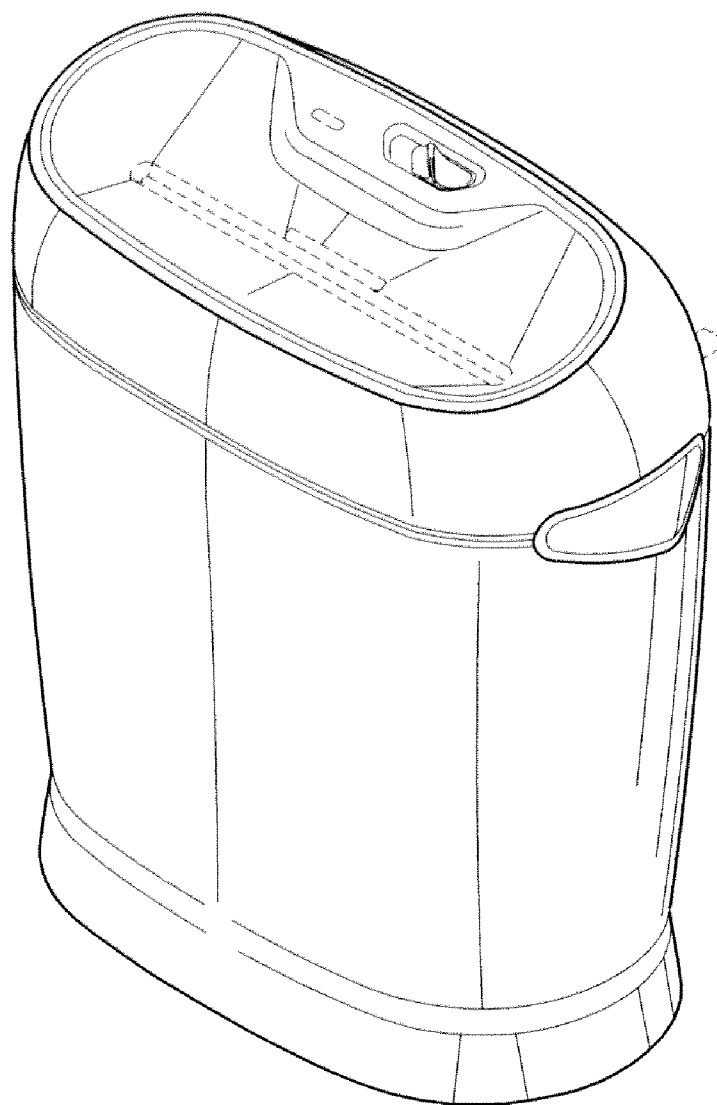


FIG. 1

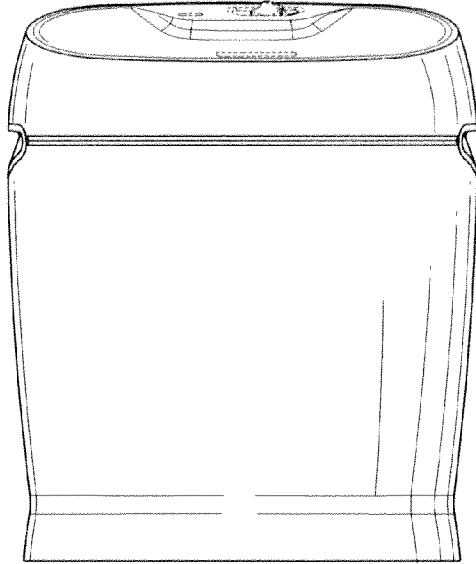


FIG. 2

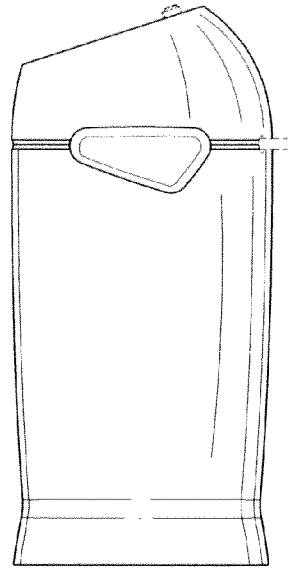


FIG. 3

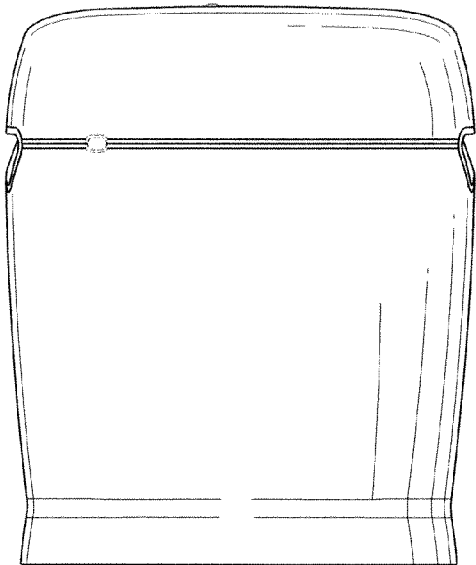


FIG. 5

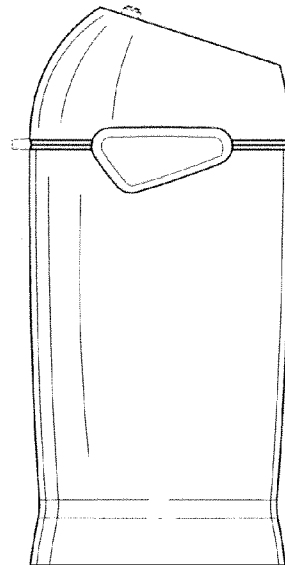


FIG. 4

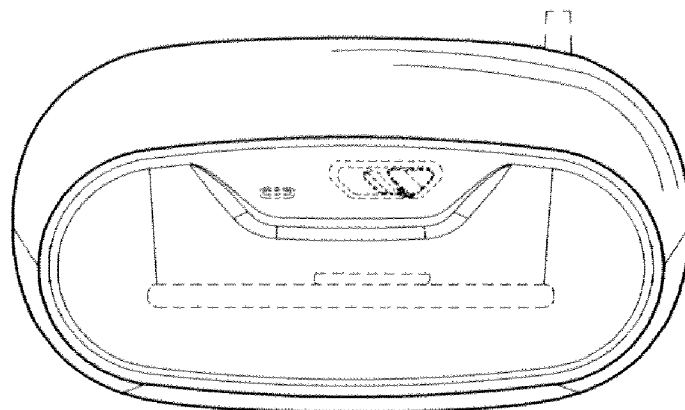


FIG. 6

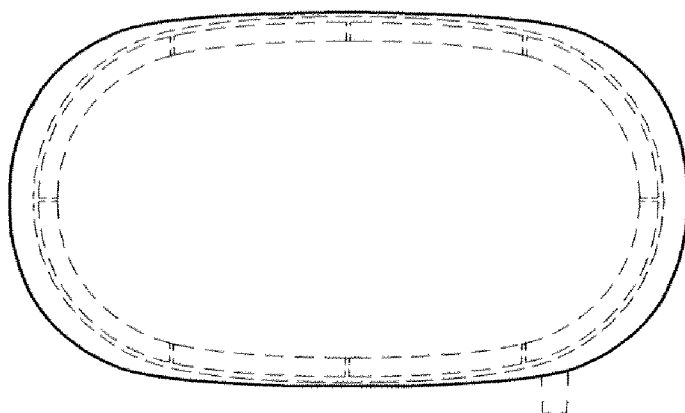


FIG. 7