



US00D533552S

(12) **United States Design Patent**
Kuroiwa et al.

(10) **Patent No.:** **US D533,552 S**

(45) **Date of Patent:** **** Dec. 12, 2006**

(54) **PERSONAL DIGITAL ASSISTANT**
(75) Inventors: **Kenichi Kuroiwa**, Kawasaki (JP);
Kenichi Takita, Kawasaki (JP);
Kazuhiro Tomizawa, Tokyo (JP);
Makoto Nemoto, Tokyo (JP)

5,568,357 A * 10/1996 Kochis et al. 361/681
6,052,279 A * 4/2000 Friend et al. 361/686
D466,500 S * 12/2002 Lo et al. D14/336
D476,329 S * 6/2003 Miao et al. D14/346
6,757,156 B1 * 6/2004 Adams et al. 361/681
D494,164 S * 8/2004 Wu et al. D14/341

(73) Assignee: **NEC Infrontia Corporation**, Kawasaki (JP)

* cited by examiner

(**) Term: **14 Years**

Primary Examiner—Freda S. Nunn
(74) *Attorney, Agent, or Firm*—Frishauf, Holtz, Goodman & Chick, P.C.

(21) Appl. No.: **29/242,514**

(57) **CLAIM**

(22) Filed: **Nov. 10, 2005**

The ornamental design for personal digital assistant, as shown.

(30) **Foreign Application Priority Data**

May 18, 2005 (JP) 2005-014280

DESCRIPTION

(51) **LOC (8) Cl.** **14-02**
(52) **U.S. Cl.** **D14/346**
(58) **Field of Classification Search** D14/341-346,
D14/336, 371; D18/1, 2, 7, 11; 345/104,
345/156, 168, 173; 361/680-686; 434/307 R,
434/308, 309, 317; 178/18.03; 349/12
See application file for complete search history.

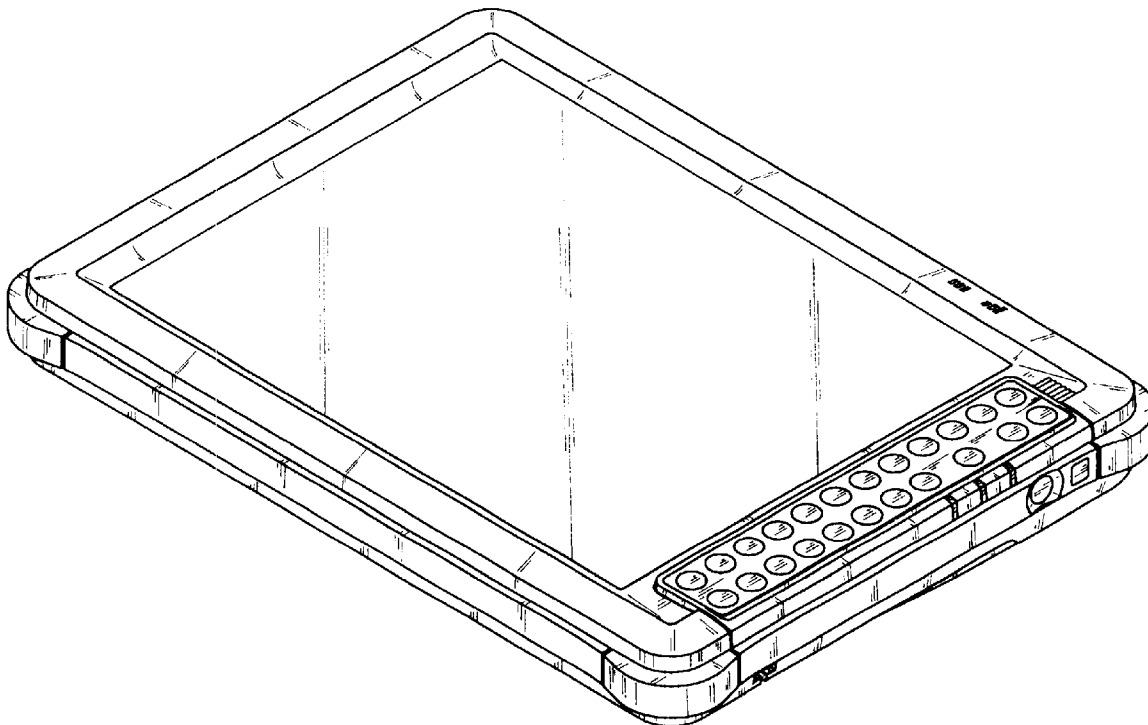
FIG. 1 is a reduced scale front, bottom, right side perspective view of a personal digital assistant showing our new design; FIG. 2 is a front elevational view thereof; FIG. 3 is a rear elevational view thereof; FIG. 4 is a left side view thereof; FIG. 5 is a right side view thereof; FIG. 6 is a top plan view thereof; and, FIG. 7 is a bottom plan view thereof.

(56) **References Cited**

U.S. PATENT DOCUMENTS

5,404,267 A * 4/1995 Silva et al. 361/683

1 Claim, 6 Drawing Sheets



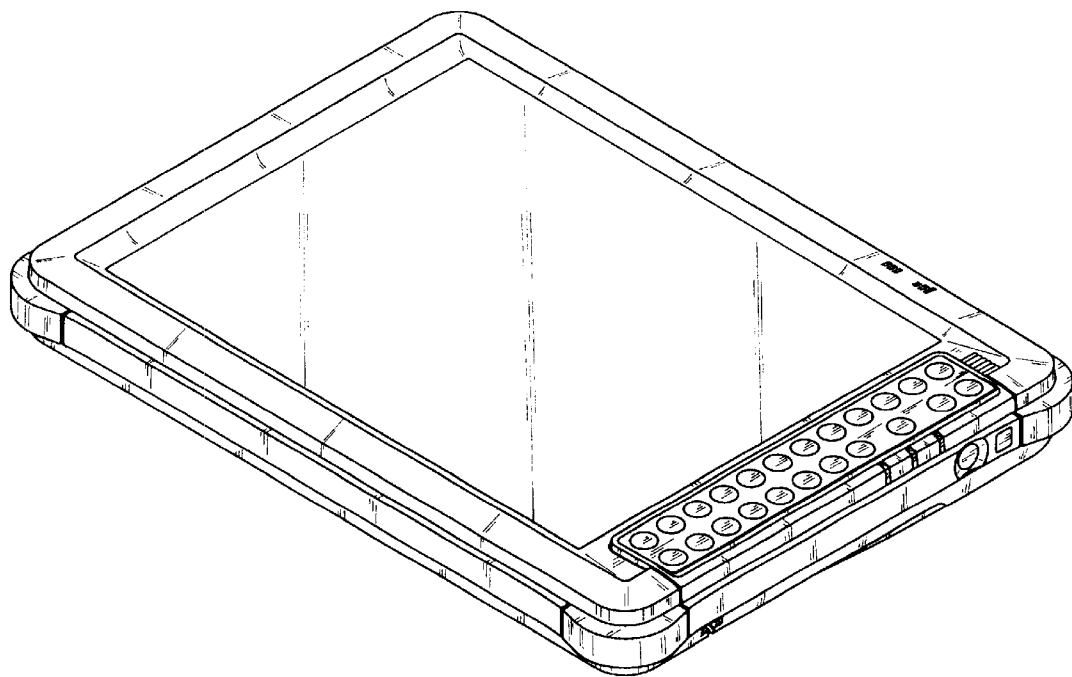


FIG. 1

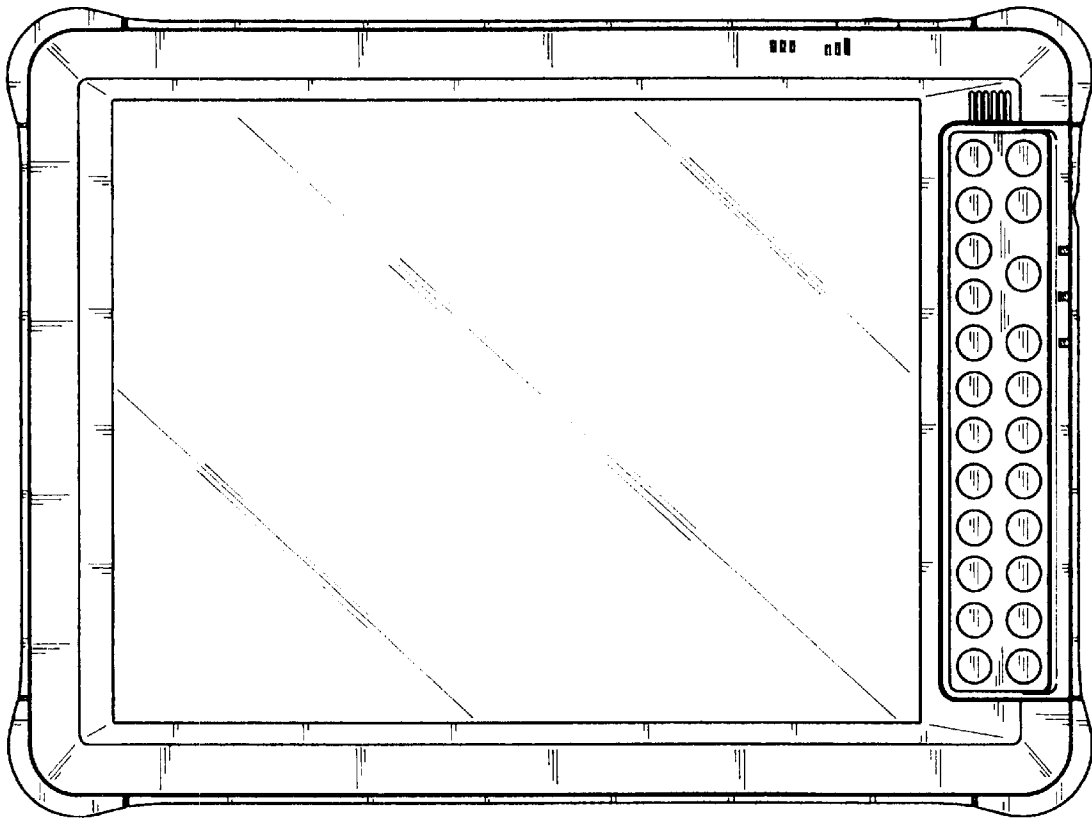


FIG. 2

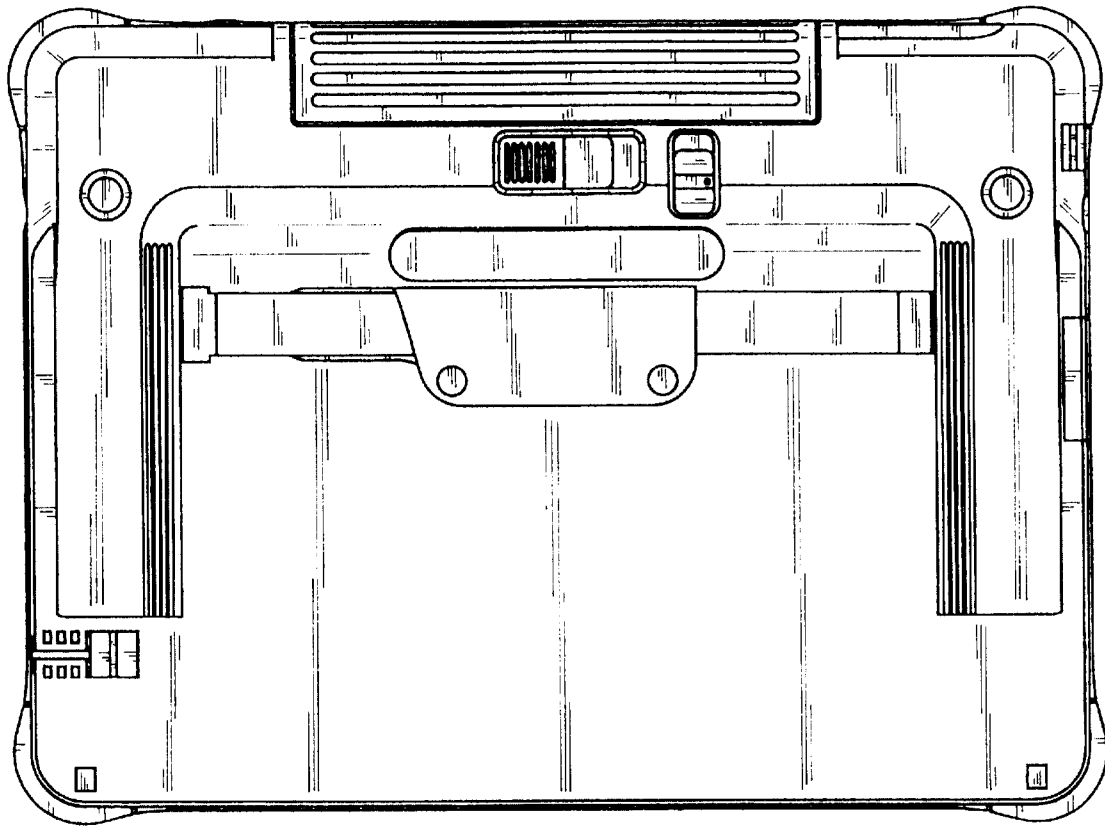


FIG. 3



FIG. 4

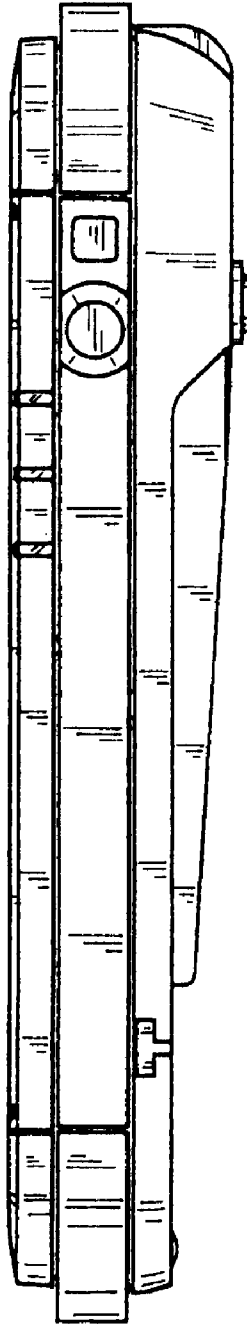


FIG. 5

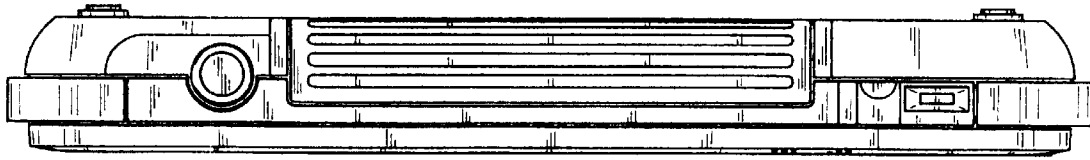


FIG. 6

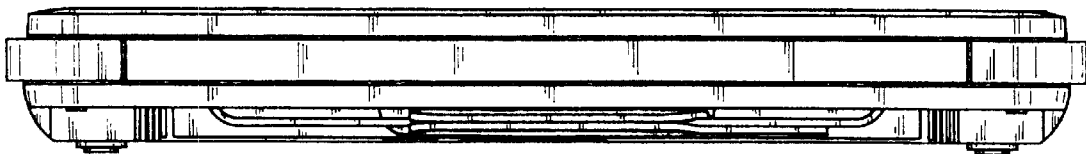


FIG. 7