



US00D748837S

(12) **United States Design Patent**
Cacciabeve

(10) **Patent No.:** **US D748,837 S**

(45) **Date of Patent:** **** Feb. 2, 2016**

(54) **FLASH LIGHT**

(71) Applicant: **Walter R. Tucker Enterprises, Ltd.**,
Deposit, NY (US)

(72) Inventor: **Robert Cacciabeve**, Boonton, NJ (US)

(73) Assignee: **Walter R. Tucker Enterprises, Ltd.**,
Deposit, NY (US)

(**) Term: **14 Years**

(21) Appl. No.: **29/503,072**

(22) Filed: **Sep. 23, 2014**

(51) **LOC (10) Cl.** **26-02**

(52) **U.S. Cl.**
USPC **D26/49**

(58) **Field of Classification Search**
USPC D26/37-51, 56-60, 67; 362/103-105,
362/184, 194-196, 202-206; D22/117
CPC F21L 4/00; F21L 4/005; F21L 4/022;
F21L 4/025; F21L 4/027; F21L 7/00; F21L
19/00; F21V 21/084; F21V 21/0085; F21W
2111/10

See application file for complete search history.

(56) **References Cited**

U.S. PATENT DOCUMENTS

D463,596 S *	9/2002	McGaffigan	D26/49
D481,482 S *	10/2003	Mah	D26/37
D529,210 S *	9/2006	Mundhra	D26/37
D554,787 S *	11/2007	Shiu	D26/49
D586,488 S *	2/2009	Kung	D26/49
D629,542 S *	12/2010	Robinson	D26/49
D656,260 S *	3/2012	Kung	D26/49
D685,939 S *	7/2013	Cooper	D26/49

* cited by examiner

Primary Examiner — Sandra Morris

(74) *Attorney, Agent, or Firm* — Breiner & Breiner, L.L.C.

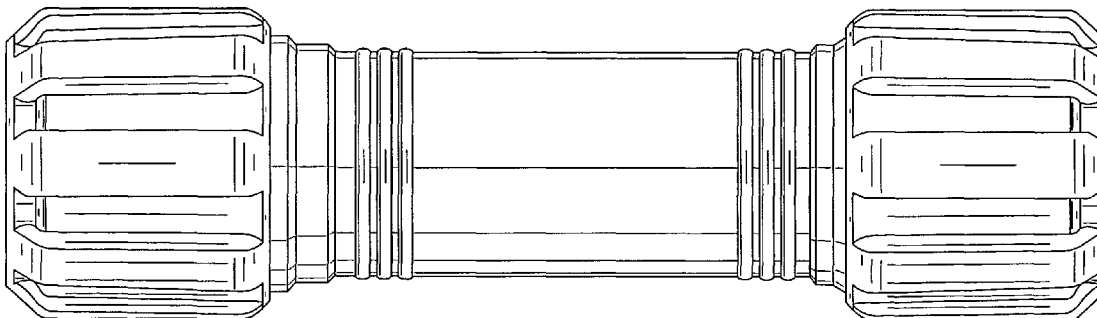
(57) **CLAIM**

The ornamental design for a flash light, as shown and described.

DESCRIPTION

FIG. 1 is a top perspective view of the invention.
FIG. 2 is a bottom perspective view of the invention.
FIG. 3 is a bottom view of the invention.
FIG. 4 is a top view of the invention; and,
FIG. 5 is a side view of the invention.
The broken lines in the drawings illustrates portions of the design that form no part of the claim.

1 Claim, 4 Drawing Sheets



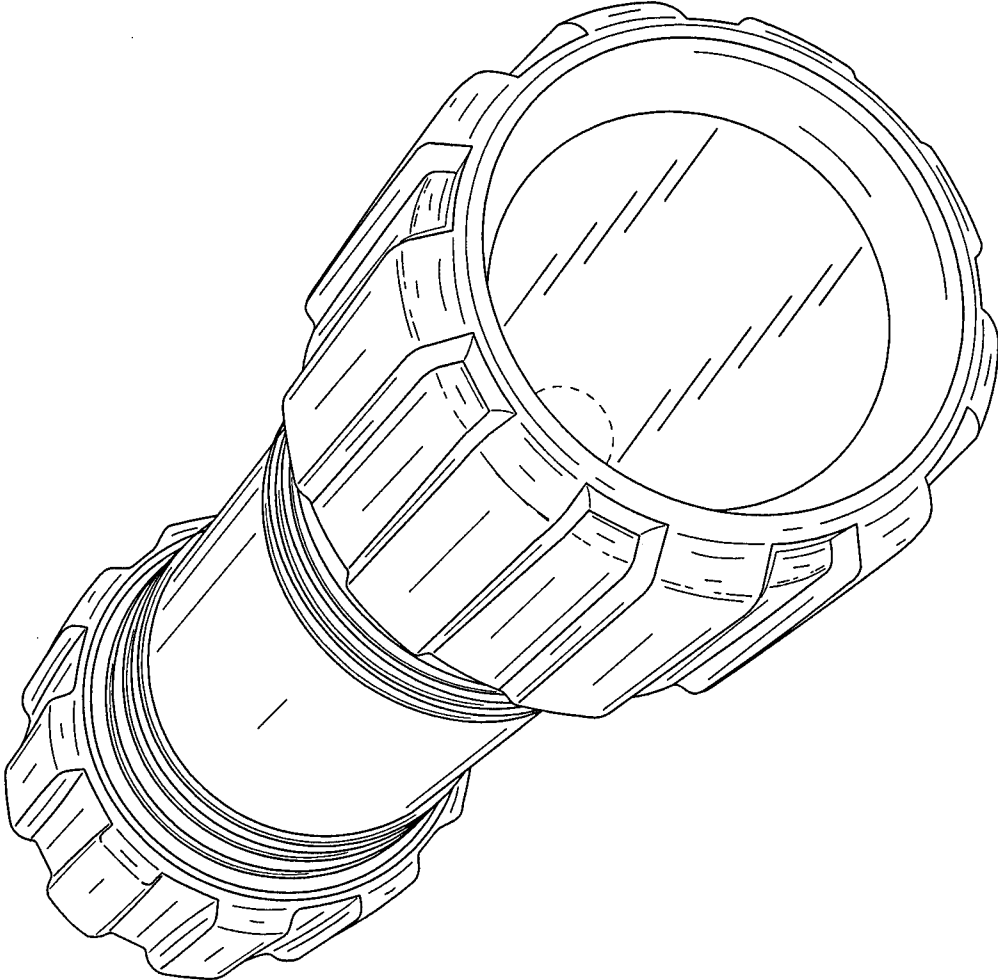


FIG. 1

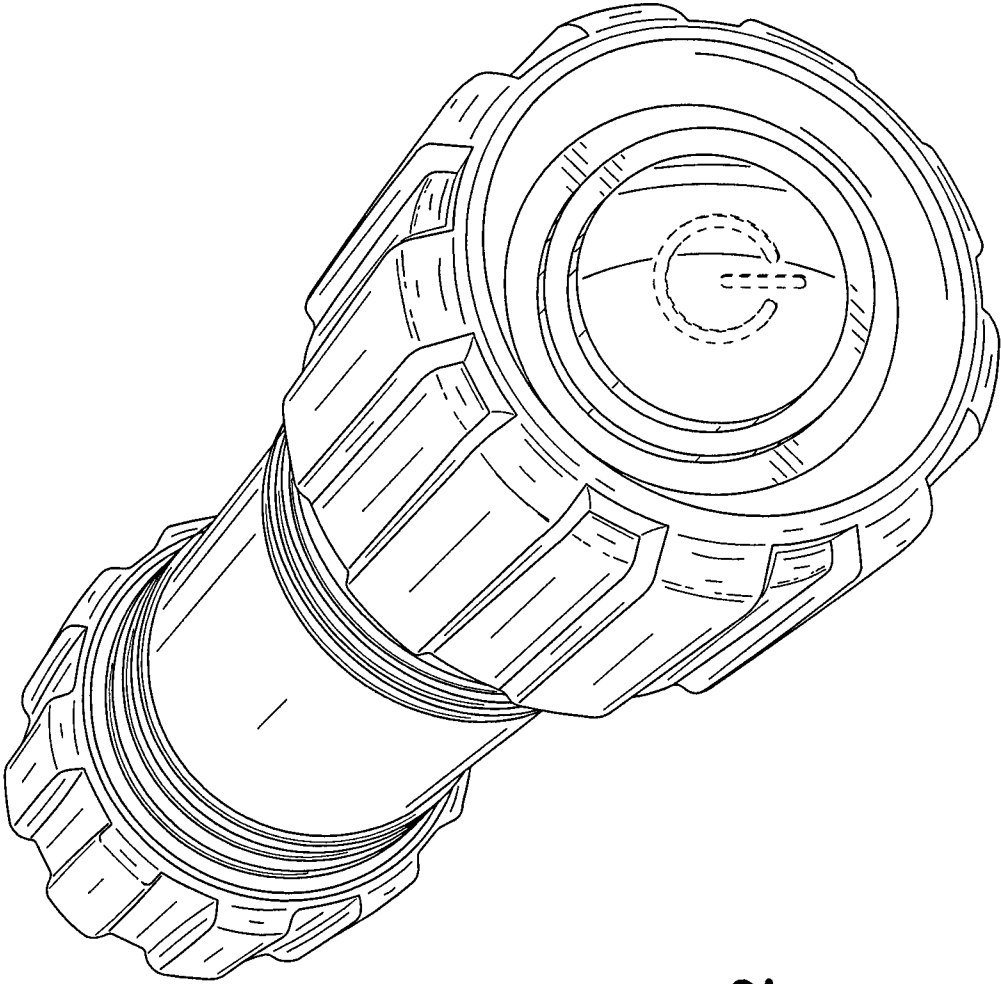


FIG. 2

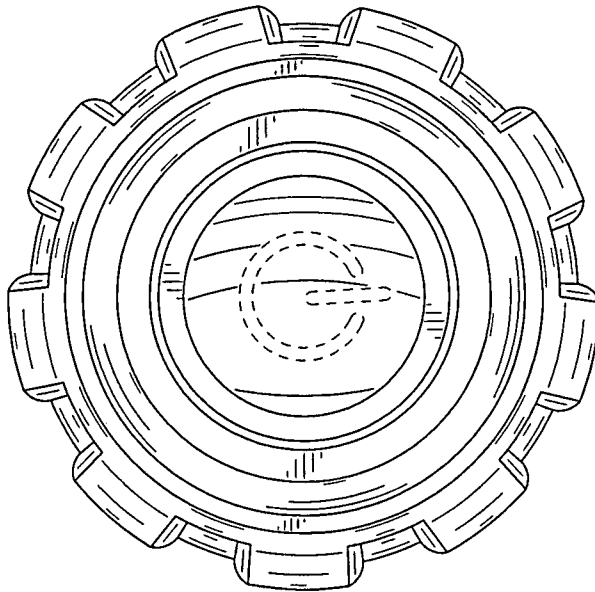


FIG. 4

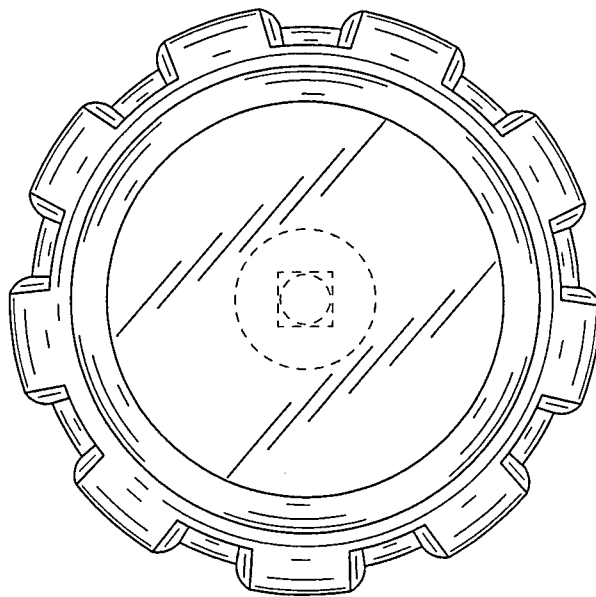


FIG. 3

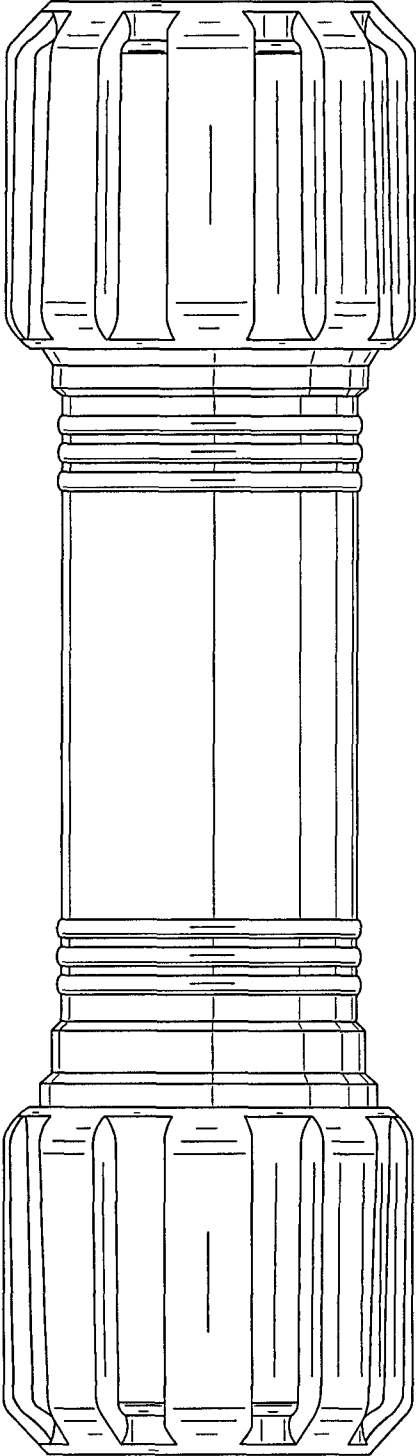


FIG. 5