

[54] **DEVICE FOR DRYING CLOTHES**  
 [76] Inventor: **Masayo Taniyama**, 1347, Fuchu,  
 Wakayama-shi, Wakayama-Ken,  
 Japan  
 [\*\*] Term: **14 Years**  
 [21] Appl. No.: **53,184**  
 [22] Filed: **Jun. 28, 1979**  
 [51] Int. Cl. .... **D7-05**  
 [52] U.S. Cl. .... **D32/58**  
 [58] Field of Search ..... D7/196, 197; D6/113,  
 D6/116-119; D11/13, 86, 113-119, 195-197,  
 203, 205

1,948,014 2/1934 Tuttle ..... 211/115

**FOREIGN PATENT DOCUMENTS**

2405323 6/1979 France ..... 211/118  
 480615 2/1938 United Kingdom ..... 211/113

*Primary Examiner*—Catherine E. Kemper  
*Attorney, Agent, or Firm*—Wenderoth, Lind & Ponack

[57] **CLAIM**

The ornamental design for a device for drying clothes, as shown.

**DESCRIPTION**

FIG. 1 is a front view of a device for drying clothes, showing the new design;  
 FIG. 2 is a rear view thereof;  
 FIG. 3 is a right side view thereof;  
 FIG. 4 is a left side view thereof;  
 FIG. 5 is a top view thereof; and  
 FIG. 6 is a bottom view thereof.

[56] **References Cited**  
**U.S. PATENT DOCUMENTS**

D. 255,315 6/1980 Koshiyama ..... D7/196  
 1,937,911 12/1933 Pajeau ..... 211/116

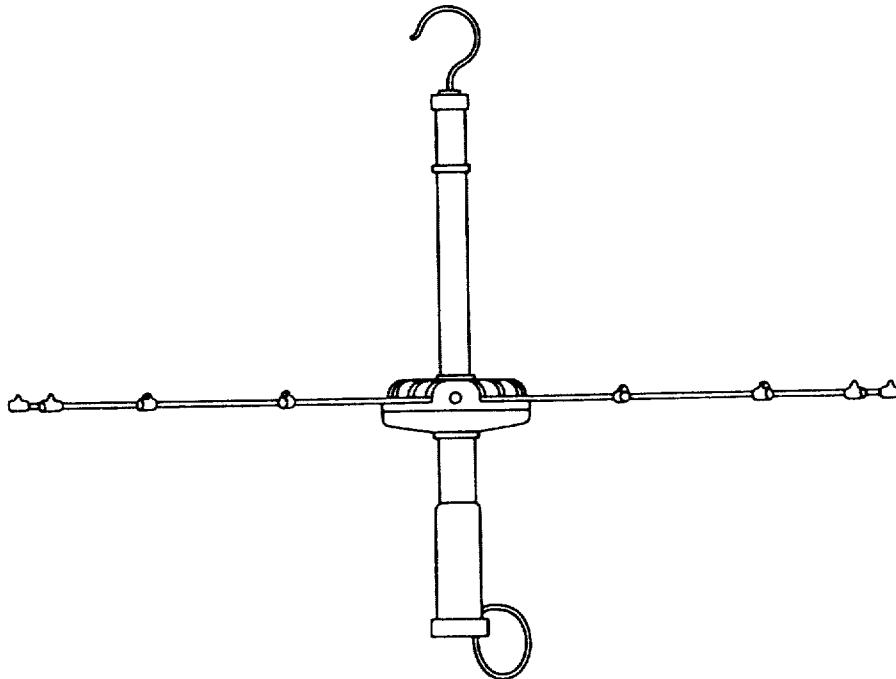


FIG. 1

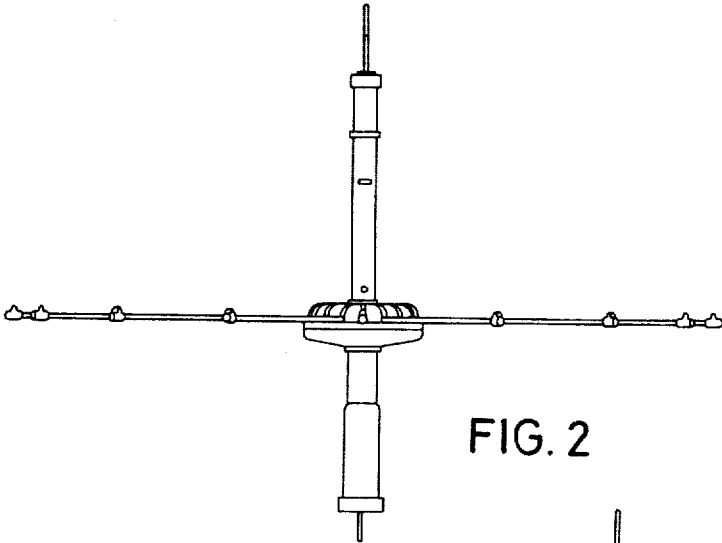


FIG. 2

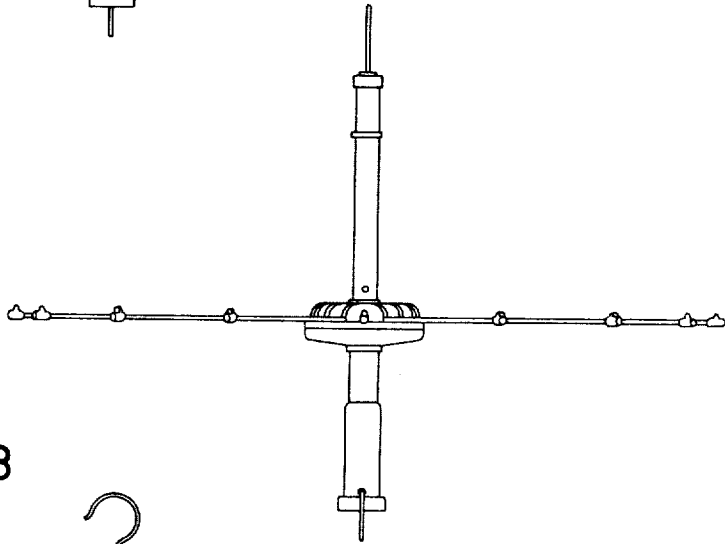


FIG. 3

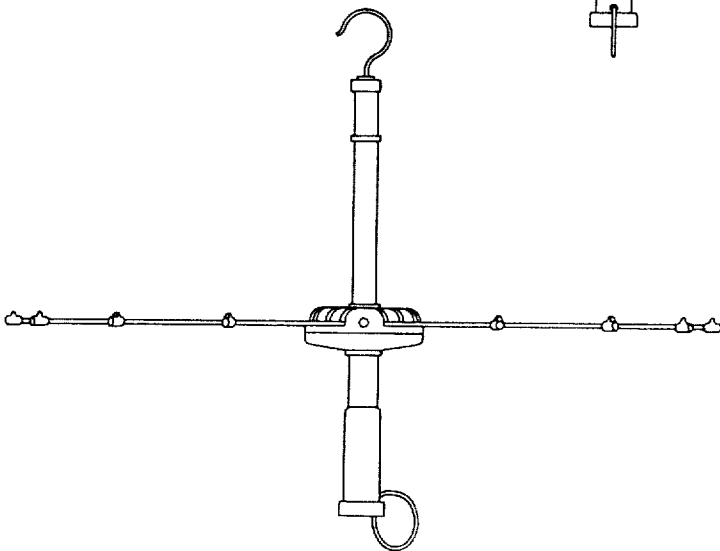


FIG. 4

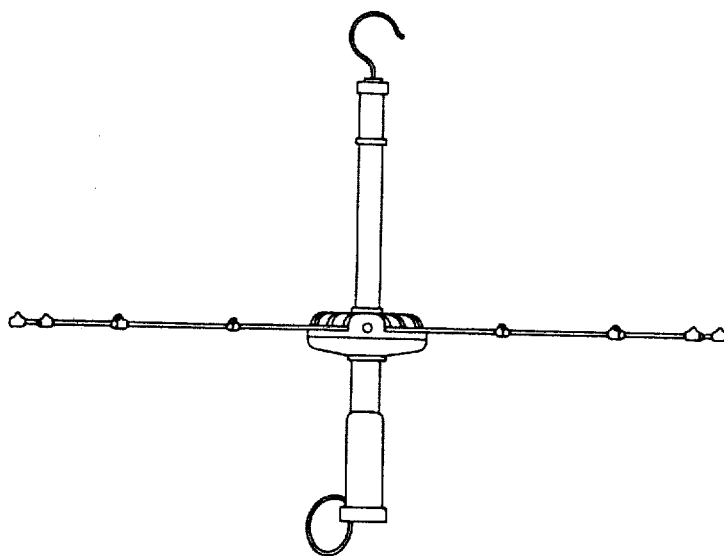


FIG. 5

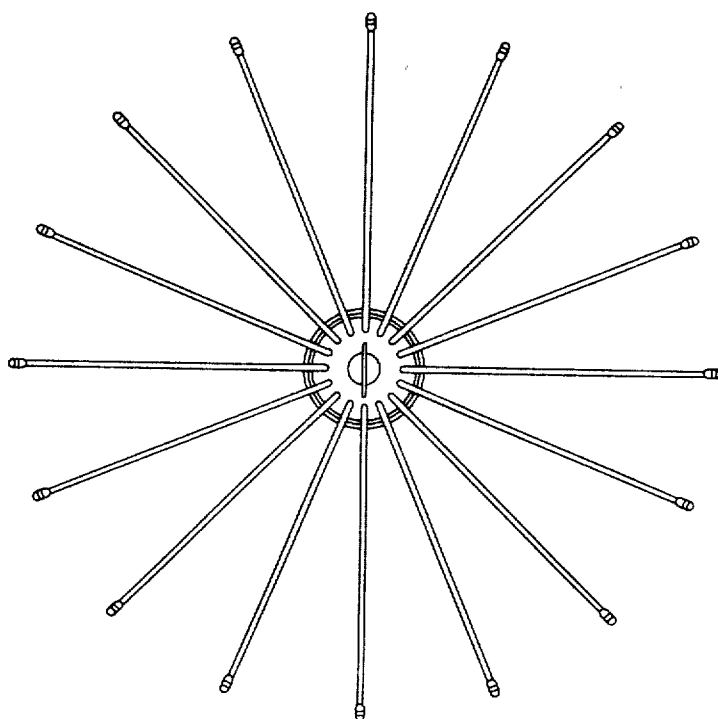


FIG. 6

