



US00D738106S

(12) **United States Design Patent**  
**Shitrit**

(10) **Patent No.:** **US D738,106 S**

(45) **Date of Patent:** **\*\* Sep. 8, 2015**

(54) **TOOLBOX**

(71) Applicant: **THE STANLEY WORKS ISRAEL LTD.**, Rosh Ha' Ayin (IL)

(72) Inventor: **Elad Hay Shitrit**, Tel Aviv (IL)

(73) Assignee: **The Stanley Works Israel, Ltd.**, Rosh Ha' Ayin (IL)

(\*\*) Term: **14 Years**

(21) Appl. No.: **29/460,620**

(22) Filed: **Jul. 12, 2013**

(30) **Foreign Application Priority Data**

Jan. 30, 2013 (EM) ..... 001359129

(51) **LOC (10) Cl.** ..... **03-01**

(52) **U.S. Cl.**  
USPC ..... **D3/276; D3/294; D3/905**

(58) **Field of Classification Search**  
USPC ..... D3/905, 276, 279-284, 291, 294, 295,  
D3/298, 901, 302, 272, 273, 274, 903;  
206/372-379; 220/523-528  
CPC .. B25H 3/02-3/028; B25H 3/00; B25H 3/003  
See application file for complete search history.

(56) **References Cited**

U.S. PATENT DOCUMENTS

D600,912	S	*	9/2009	Brunner	.....	D3/291
D649,350	S	*	11/2011	Shitrit	.....	D3/281
D668,048	S	*	10/2012	Vilkomirski et al.	.....	D3/281
D674,605	S	*	1/2013	Vilkomirski et al.	.....	D3/281
D700,777	S	*	3/2014	Shitrit et al.	.....	D3/281
D701,697	S	*	4/2014	Sabbag et al.	.....	D3/281
D703,436	S	*	4/2014	Sabbag et al.	.....	D3/281
D709,697	S	*	7/2014	Brunner	.....	D3/281
2004/0055915	A1	*	3/2004	Dreher et al.	.....	206/349
2010/0052276	A1	*	3/2010	Brunner	.....	280/47.35
2011/0181008	A1	*	7/2011	Bensman et al.	.....	280/47.26
2014/0102928	A1	*	4/2014	Sabbag et al.	.....	206/372

\* cited by examiner

*Primary Examiner* — Jennifer Rivard

*Assistant Examiner* — April Rivas

(74) *Attorney, Agent, or Firm* — Gabriel A. Haboubi

(57) **CLAIM**

The ornamental design for a toolbox, as shown and described.

**DESCRIPTION**

FIG. 1 is a right front perspective view of my new design.

FIG. 2 is a front view thereof.

FIG. 3 is a rear view thereof.

FIG. 4 is a left side view thereof.

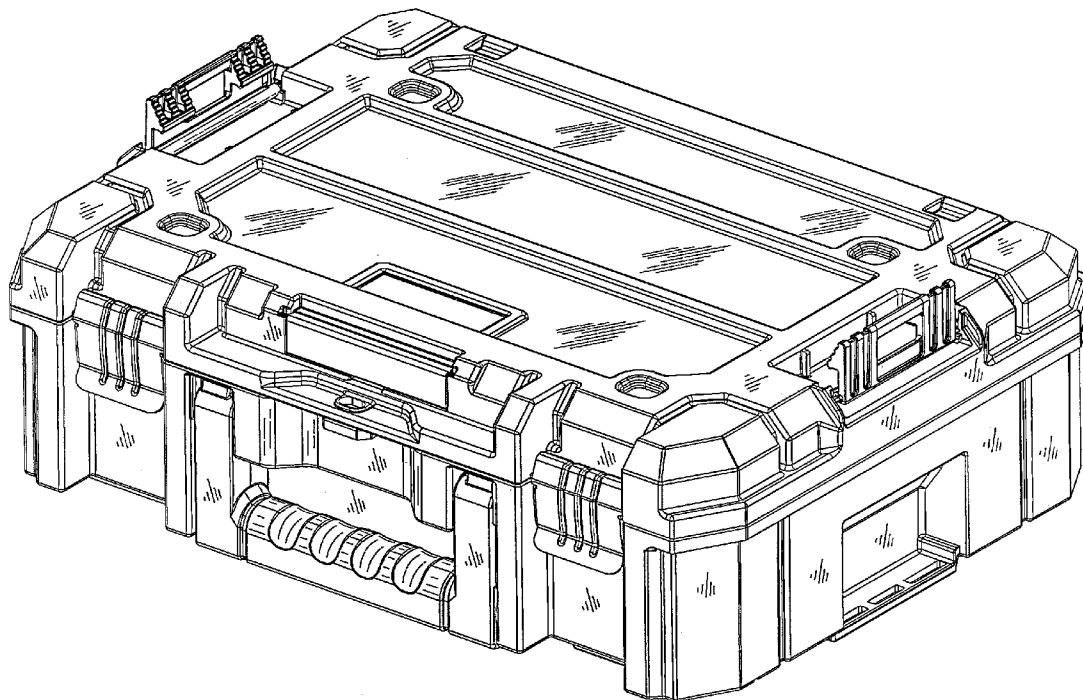
FIG. 5 is a right side view thereof.

FIG. 6 is a top view thereof; and,

FIG. 7 is a bottom view thereof.

The broken lines illustrate portions of the toolbox and form no part of the claimed design.

**1 Claim, 7 Drawing Sheets**



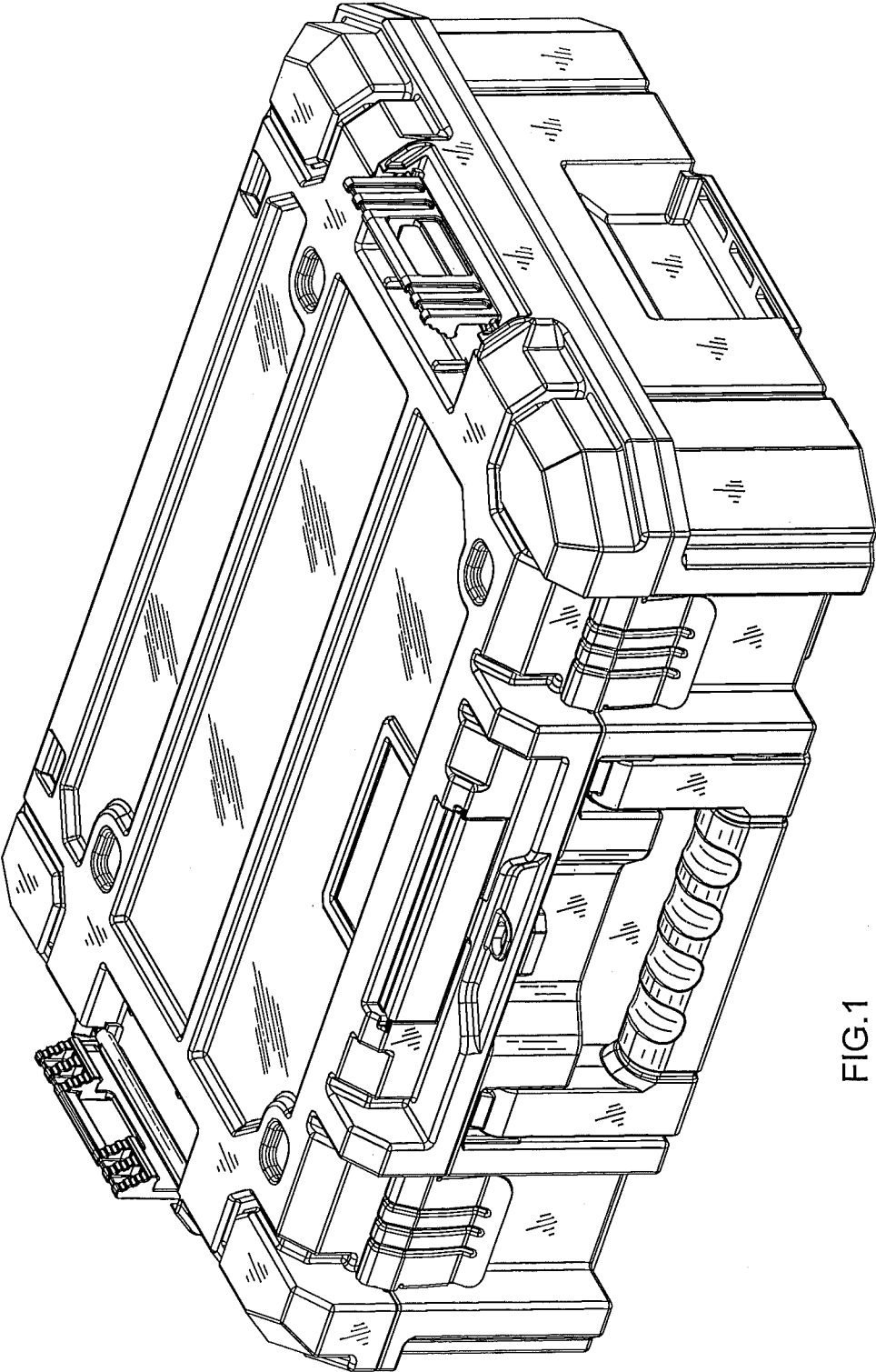


FIG.1

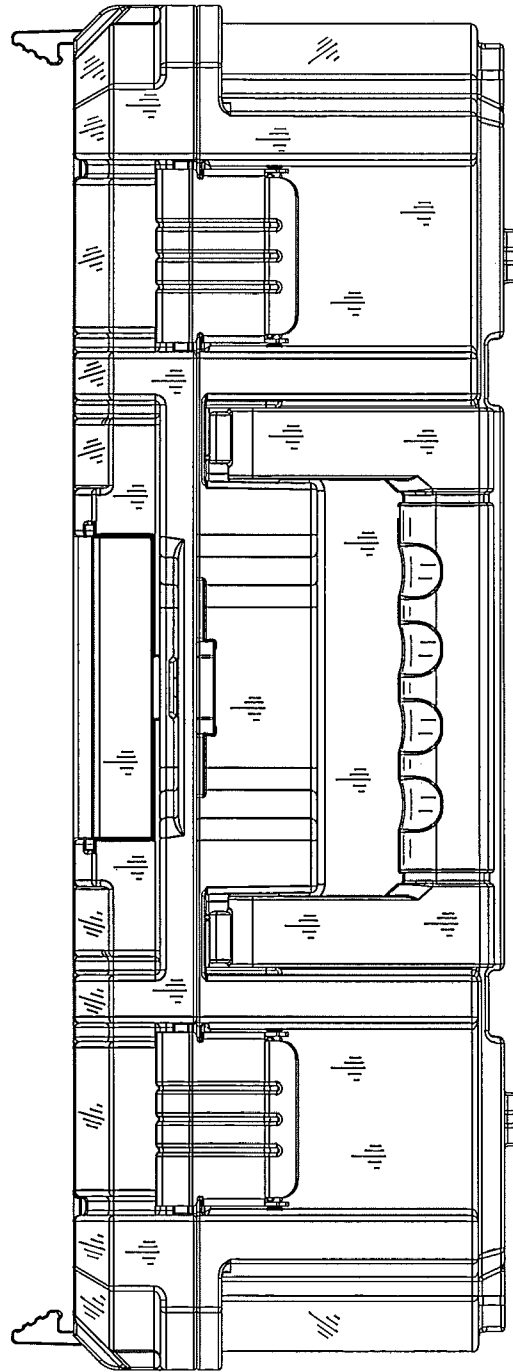


FIG.2

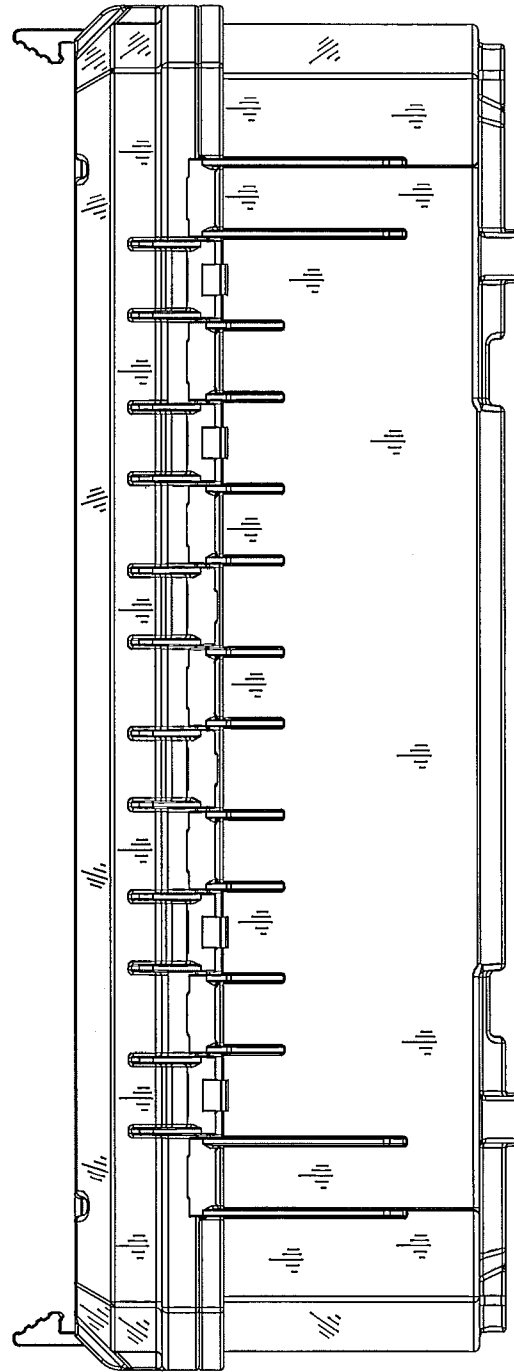


FIG.3

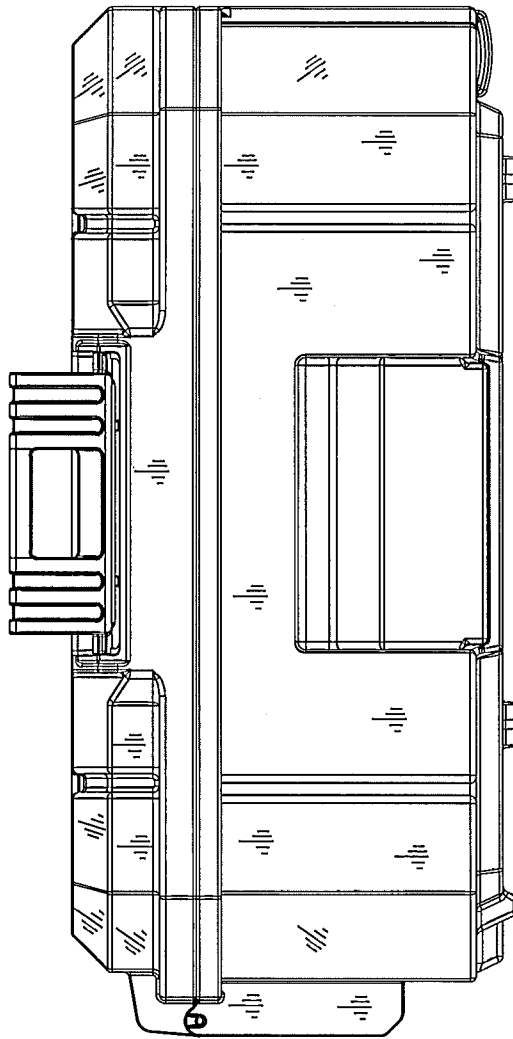


FIG.4

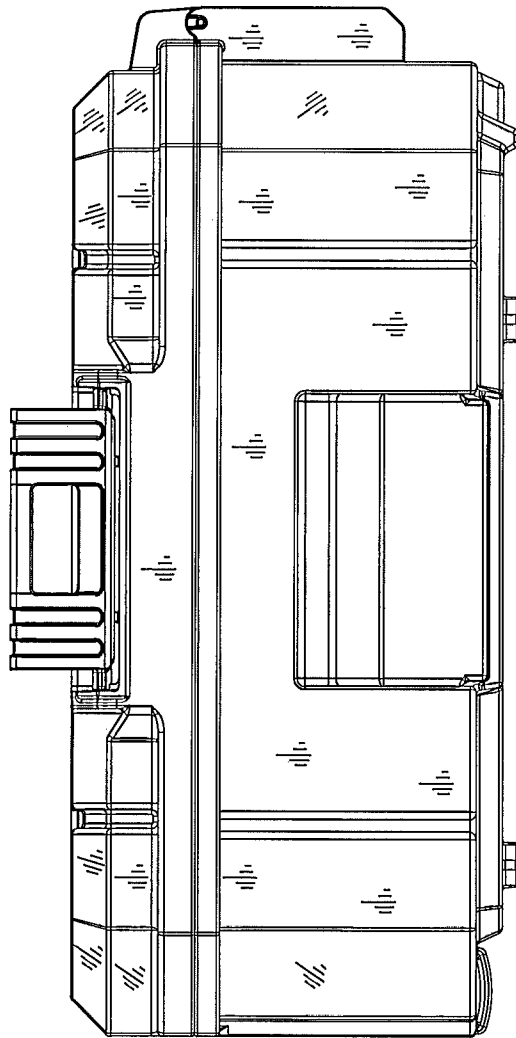


FIG.5

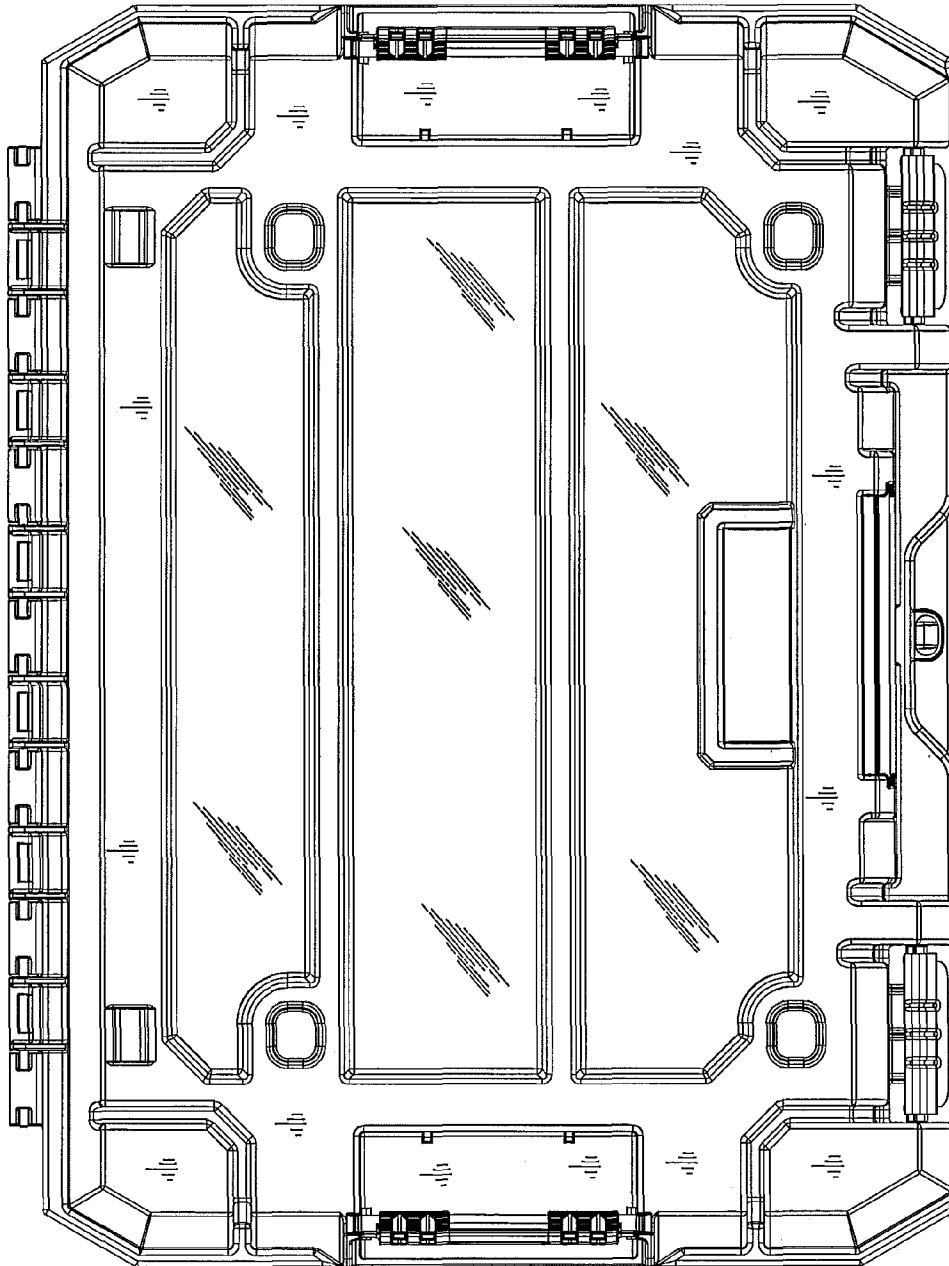


FIG.6

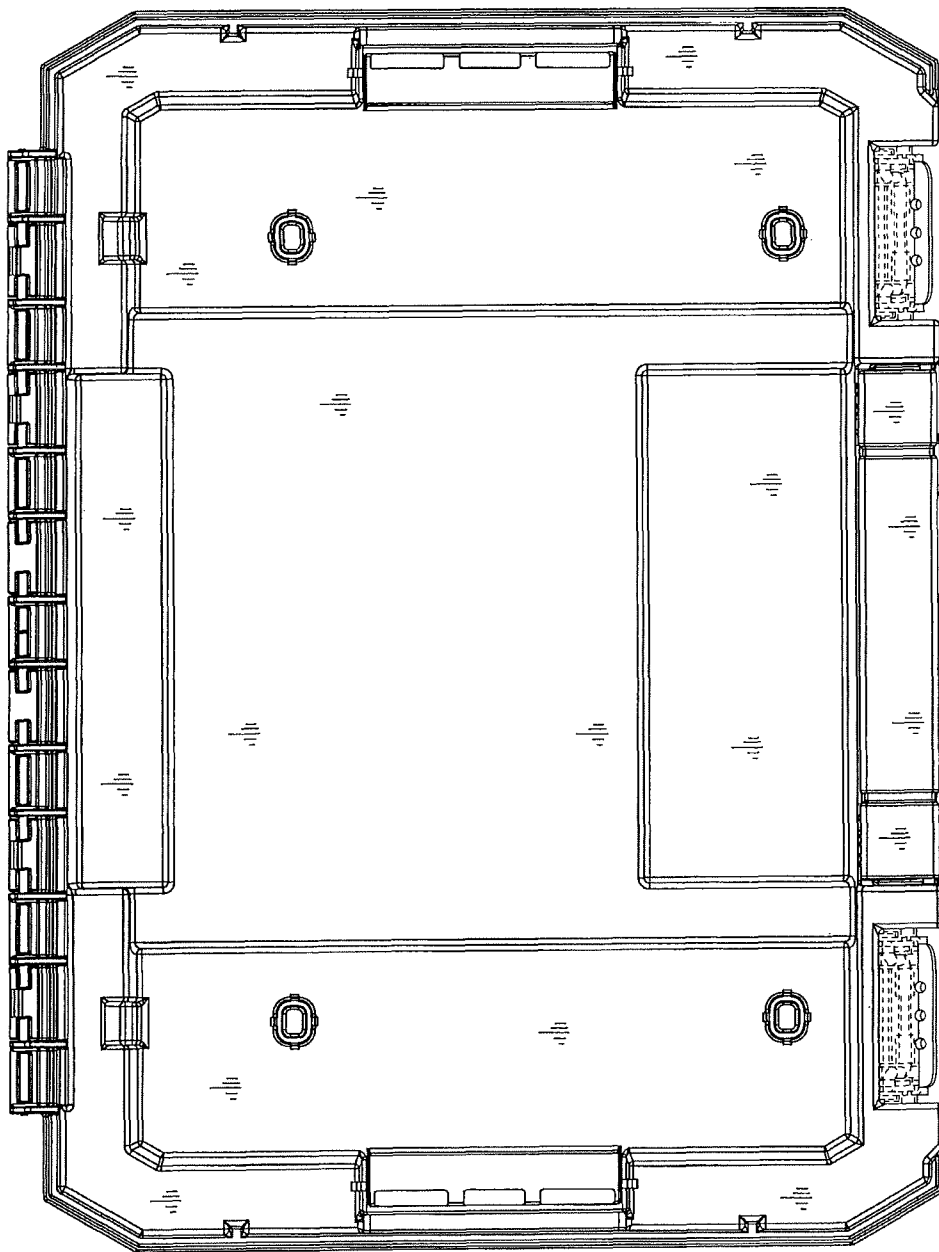


FIG. 7