

(19) World Intellectual Property Organization
International Bureau



(43) International Publication Date
7 September 2007 (07.09.2007)

PCT

(10) International Publication Number
WO 2007/100537 A3

(51) International Patent Classification:
B01D 21/24 (2006.01) *B01D 24/38* (2006.01)

(21) International Application Number:
PCT/US2007/004318

(22) International Filing Date:
21 February 2007 (21.02.2007)

(25) Filing Language: English

(26) Publication Language: English

(30) Priority Data:
60/775,338 22 February 2006 (22.02.2006) US
Not furnished 20 February 2007 (20.02.2007) US

(71) Applicant and

(72) Inventor: **CROFT, Carlton Reece** [US/US]; P.O. Box 2548, Eaton Park, Florida 33840 (US).

(74) Agents: **JONES, Robert D.** et al.; Litman Law Offices, Ltd., P.O. Box 15035, Crystal City Station, Arlington, Virginia 22215 (US).

(81) Designated States (*unless otherwise indicated, for every kind of national protection available*): AE, AG, AL, AM,

AT, AU, AZ, BA, BB, BG, BR, BW, BY, BZ, CA, CH, CN, CO, CR, CU, CZ, DE, DK, DM, DZ, EC, EE, EG, ES, FI, GB, GD, GE, GH, GM, GT, HN, HR, HU, ID, IL, IN, IS, JP, KE, KG, KM, KN, KP, KR, KZ, LA, LC, LK, LR, LS, LT, LU, LV, LY, MA, MD, MG, MK, MN, MW, MX, MY, MZ, NA, NG, NI, NO, NZ, OM, PG, PH, PL, PT, RO, RS, RU, SC, SD, SE, SG, SK, SL, SM, SV, SY, TJ, TM, TN, TR, TT, TZ, UA, UG, US, UZ, VC, VN, ZA, ZM, ZW.

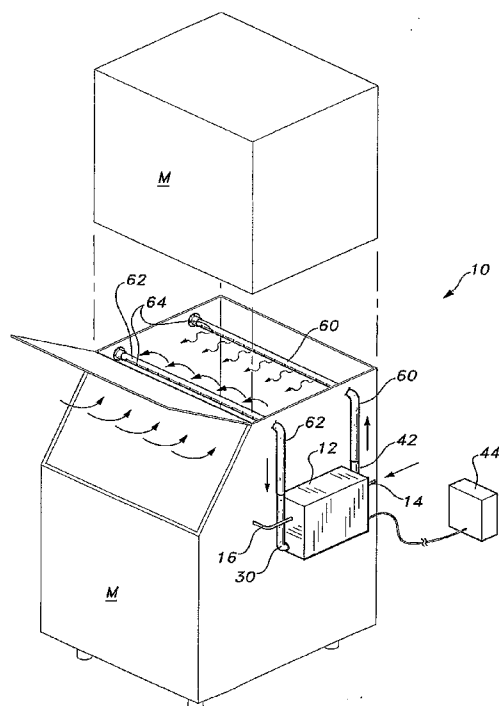
(84) Designated States (*unless otherwise indicated, for every kind of regional protection available*): ARIPO (BW, GH, GM, KE, LS, MW, MZ, NA, SD, SL, SZ, TZ, UG, ZM, ZW), Eurasian (AM, AZ, BY, KG, KZ, MD, RU, TJ, TM), European (AT, BE, BG, CH, CY, CZ, DE, DK, EE, ES, FI, FR, GB, GR, HU, IE, IS, IT, LT, LU, LV, MC, NL, PL, PT, RO, SE, SI, SK, TR), OAPI (BF, BJ, CF, CG, CI, CM, GA, GN, GQ, GW, ML, MR, NE, SN, TD, TG).

Published:

- with international search report
- before the expiration of the time limit for amending the claims and to be republished in the event of receipt of amendments

(88) Date of publication of the international search report:
7 February 2008

(54) Title: AIR/WATER STERILIZATION SYSTEM FOR ICE MACHINE



(57) Abstract: The air-and-water sterilization apparatus (10) for use with an ice machine (M) includes a source of ultraviolet radiation and associated filters and hardware. The source of ultraviolet radiation is one or more ultraviolet lamps (20) that are used to sterilize air and water before the air and water moves to the ice machine (M) or other appliance. The ultraviolet radiation source and other sterilization components are all encompassed in a common housing to create a protected and compact sterilization apparatus (10).

WO 2007/100537 A3

INTERNATIONAL SEARCH REPORT

International application No.

PCT/US 07/04318

A. CLASSIFICATION OF SUBJECT MATTER

IPC(8) - B01D 21/24; B01D 24/38 (2007.01)

USPC - 210/104

According to International Patent Classification (IPC) or to both national classification and IPC

B. FIELDS SEARCHED

Minimum documentation searched (classification system followed by classification symbols)

USPC-210/104

Documentation searched other than minimum documentation to the extent that such documents are included in the fields searched
USPC-210/104, 138, 196; 422/33, 297, 300; see keywords below

Electronic data base consulted during the international search (name of data base and, where practicable, search terms used)

PubWEST (DB=PGPB,USPT,USOC,EPAB,JPAB; PLUR=NO; OP=ADJ); Google Scholar; WIPO; Google Patents; keywords: ultra violet , UV, radiation, lamp, air, filter, filtration, sterilize, ice, ice-making, spiral flow, sinusoidal, titanium oxide, housing, passageway, photo catalytic oxidation, supply, treatment, conduit, fan, sterilization

C. DOCUMENTS CONSIDERED TO BE RELEVANT

Category*	Citation of document, with indication, where appropriate, of the relevant passages	Relevant to claim No.
X -- Y	WO 03/038351 A1 (OKE) 08 May 2003 (08.05.2003). see entire document especially pg 21, figure 5, and 6.	8-9 and 14-18 ----- 1-7 and 10-13
Y	US 6,153,105 A (TADLOCK et al) 28 November 2000 (28.11.2000). see especially col 3, 4, 6.	1-7 and 10-13
Y	US 5,779,912 A (Gonzalez-Martin et al) 14 July 1998 (14.07.1998). see especially col 3 and 4.	1-7 and 10-13

 Further documents are listed in the continuation of Box C.

* Special categories of cited documents:

"A" document defining the general state of the art which is not considered to be of particular relevance

"E" earlier application or patent but published on or after the international filing date

"L" document which may throw doubts on priority claim(s) or which is cited to establish the publication date of another citation or other special reason (as specified)

"O" document referring to an oral disclosure, use, exhibition or other means

"P" document published prior to the international filing date but later than the priority date claimed

"T" later document published after the international filing date or priority date and not in conflict with the application but cited to understand the principle or theory underlying the invention

"X" document of particular relevance; the claimed invention cannot be considered novel or cannot be considered to involve an inventive step when the document is taken alone

"Y" document of particular relevance; the claimed invention cannot be considered to involve an inventive step when the document is combined with one or more other such documents, such combination being obvious to a person skilled in the art

"&" document member of the same patent family

Date of the actual completion of the international search

19 August 2007 (19.08.2007)

Date of mailing of the international search report

05 DEC 2007

Name and mailing address of the ISA/US

Mail Stop PCT, Attn: ISA/US, Commissioner for Patents

P.O. Box 1450, Alexandria, Virginia 22313-1450

Facsimile No. 571-273-3201

Authorized officer:

Lee W. Young

PCT Helpdesk: 571-272-4300
PCT OSP: 571-272-7774