



US00D343319S

United States Patent [19]

[11] **Patent Number: Des. 343,319**

Phillips

[45] **Date of Patent: ** Jan. 18, 1994**

[54] **SUTURE CASSETTE**

[76] **Inventor: Edward H. Phillips, 712 N. Roxbury Dr., Beverly Hills, Calif. 90210**

[**] **Term: 14 Years**

[21] **Appl. No.: 781,287**

[22] **Filed: Oct. 23, 1991**

[52] **U.S. Cl. D6/515; D8/358; D24/145**

[58] **Field of Search D6/515; 606/146, 148; 206/63.3; D8/358, 360.1; D24/145; D22/134, 139**

[56] **References Cited**

U.S. PATENT DOCUMENTS

- D. 263,505 3/1982 Black D24/145
- D. 265,972 8/1982 Black D24/145 X
- D. 313,165 12/1990 Kovacic et al. D8/358
- D. 333,401 2/1993 Brown et al. D24/145 X

- D. 334,860 4/1993 Brown et al. D24/145 X
- 2,376,152 5/1945 Karle 206/63.3 X
- 3,376,973 4/1968 Granowitz et al. 206/63.3 X

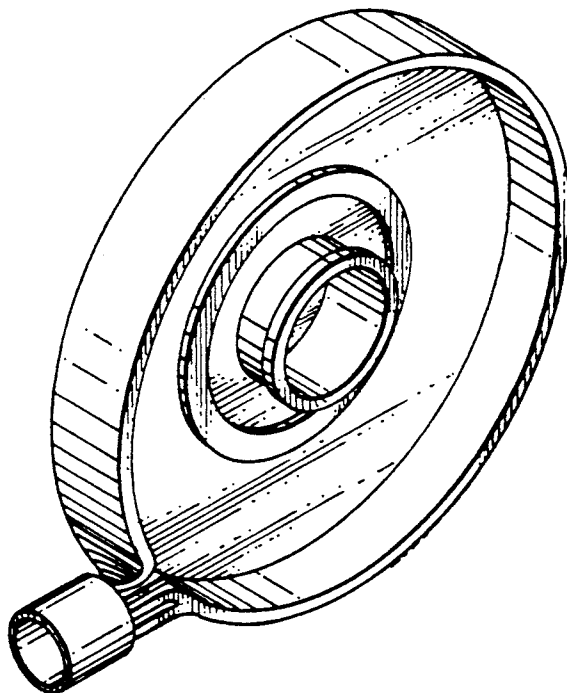
Primary Examiner—A. Hugo Word
Assistant Examiner—I. Simmons
Attorney, Agent, or Firm—Frederick Gotha

[57] CLAIM

The ornamental design for a suture cassette, as shown and described.

DESCRIPTION

FIG. 1 is perspective view of a suture cassette showing my new design;
 FIG. 2 is a top plan view thereof;
 FIG. 3 is a front elevational view thereof, the rear elevational view being plain and unornamented;
 FIG. 4 is a bottom plan view thereof;
 FIG. 5 is a left side elevational view thereof; and,
 FIG. 6 is a right side elevational view thereof.



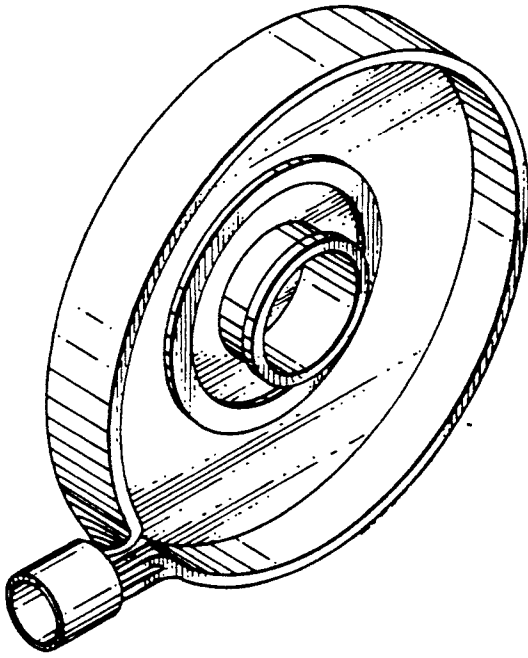


Fig. 1

Fig. 2



Fig. 5



Fig. 3

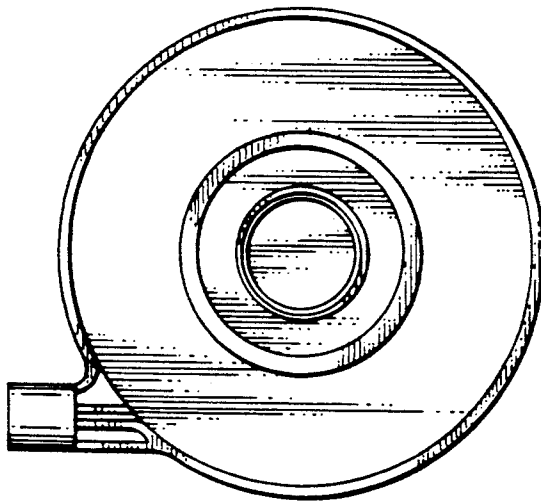


Fig. 6



Fig. 4

