



US00D720779S

(12) **United States Design Patent**
Loew et al.

(10) **Patent No.:** **US D720,779 S**

(45) **Date of Patent:** **** Jan. 6, 2015**

(54) **TANDEM ROLLER**

(71) Applicant: **BOMAG GmbH**, Boppard (DE)

(72) Inventors: **Roland Loew**, Klein-Winterheim (DE);
Theo Doetsch, Koblenz (DE)

(73) Assignee: **BOMAG GmbH**, Boppard (DE)

(**) Term: **14 Years**

(21) Appl. No.: **29/497,211**

(22) Filed: **Jul. 22, 2014**

(30) **Foreign Application Priority Data**

Jan. 24, 2014 (EM) 002391128-0013

(51) **LOC (10) Cl.** **15-03**

(52) **U.S. Cl.**

USPC **D15/20; D15/22**

(58) **Field of Classification Search**

USPC D15/10, 20, 22, 23; 180/20, 89.1,
180/89.12; 404/122, 125, 132, 117, 124

See application file for complete search history.

(56) **References Cited**

U.S. PATENT DOCUMENTS

D185,841 S * 8/1959 Schertzer D15/20
D194,350 S * 1/1963 Peterson D15/20

D207,532 S * 5/1967 Garis et al. D15/20
D275,678 S * 9/1984 Mawhorr et al. D15/20
D396,431 S * 7/1998 Lindgren et al. D12/14
D516,094 S * 2/2006 Dotsch et al. D15/20
D668,269 S * 10/2012 Tezuka et al. D15/20
D668,694 S * 10/2012 Tezuka et al. D15/31
D676,463 S * 2/2013 Ewringmann et al. D15/20

* cited by examiner

Primary Examiner — Mark Goodwin
(74) *Attorney, Agent, or Firm* — Wood, Herron & Evans, LLP

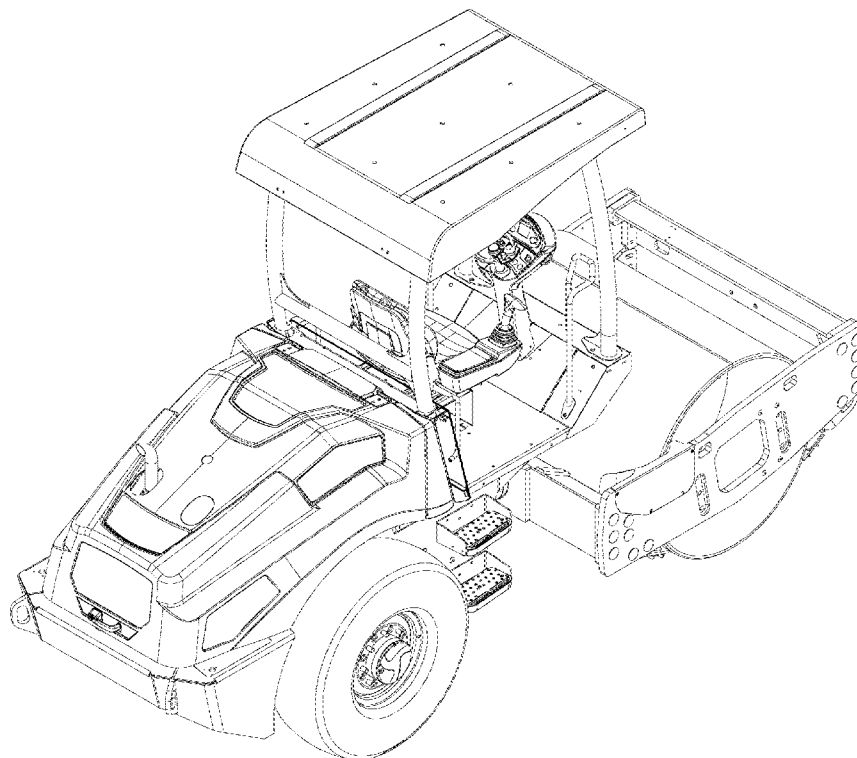
(57) **CLAIM**

The ornamental design for a tandem roller, as shown and described.

DESCRIPTION

FIG. 1 is a rear isometric view of a tandem roller showing our new design;
FIG. 2 is a front isometric view thereof;
FIG. 3 is a front elevational view thereof;
FIG. 4 is a rear elevational view thereof;
FIG. 5 is a right side elevational view thereof;
FIG. 6 is a left side elevational view thereof; and,
FIG. 7 is a top plan view thereof.
The bottom view forms no part of the claimed design.

1 Claim, 7 Drawing Sheets



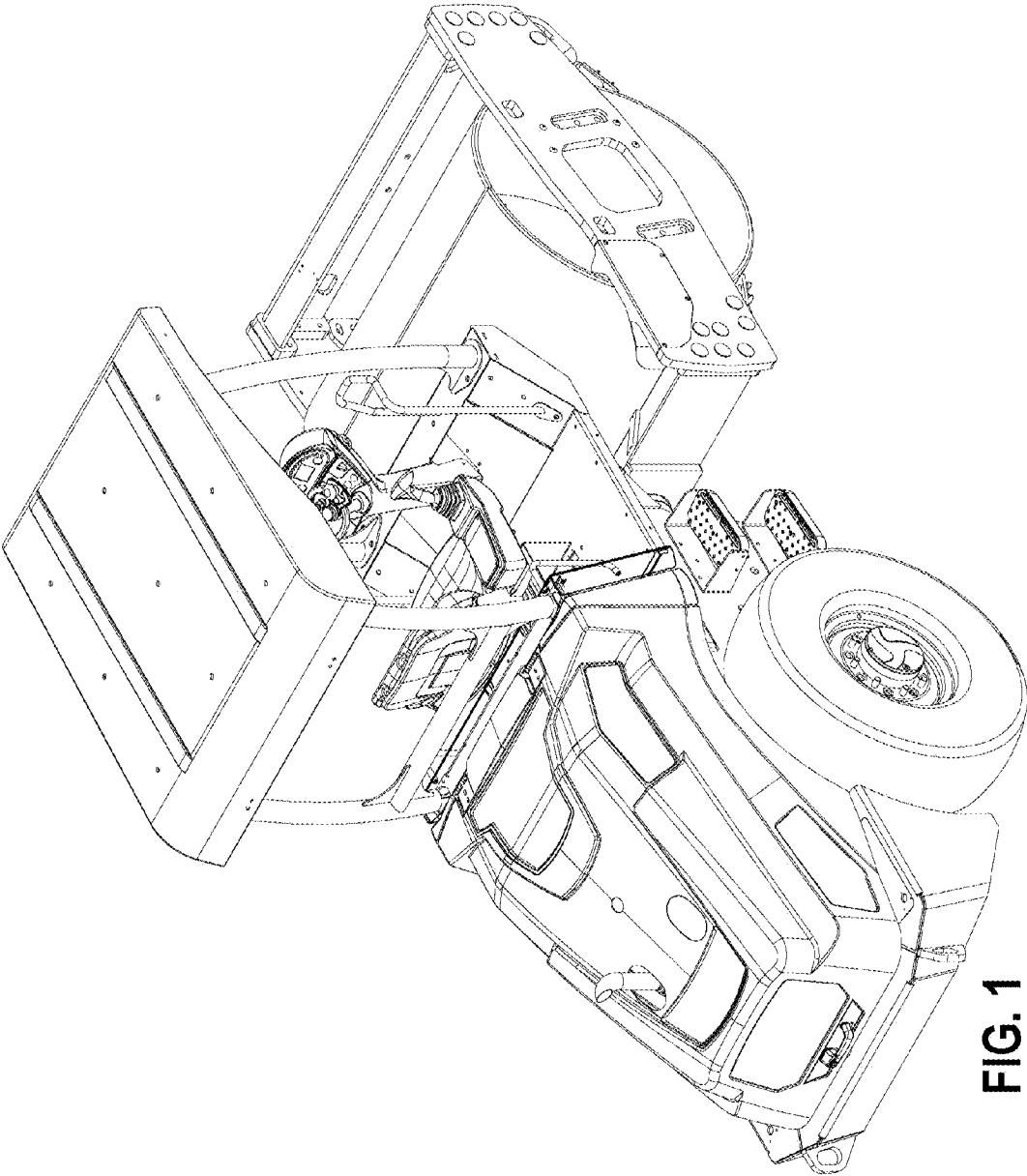


FIG. 1

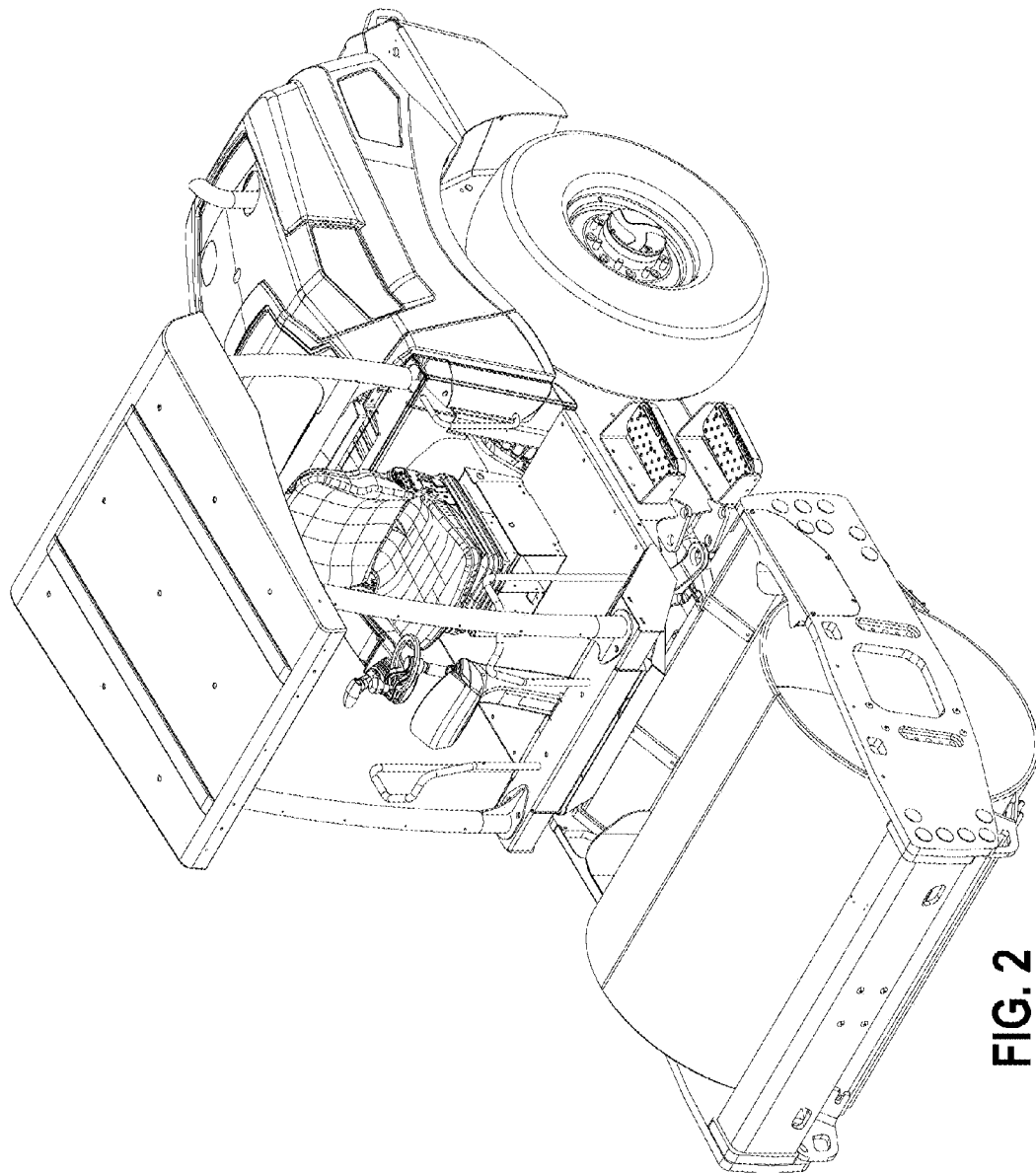


FIG. 2

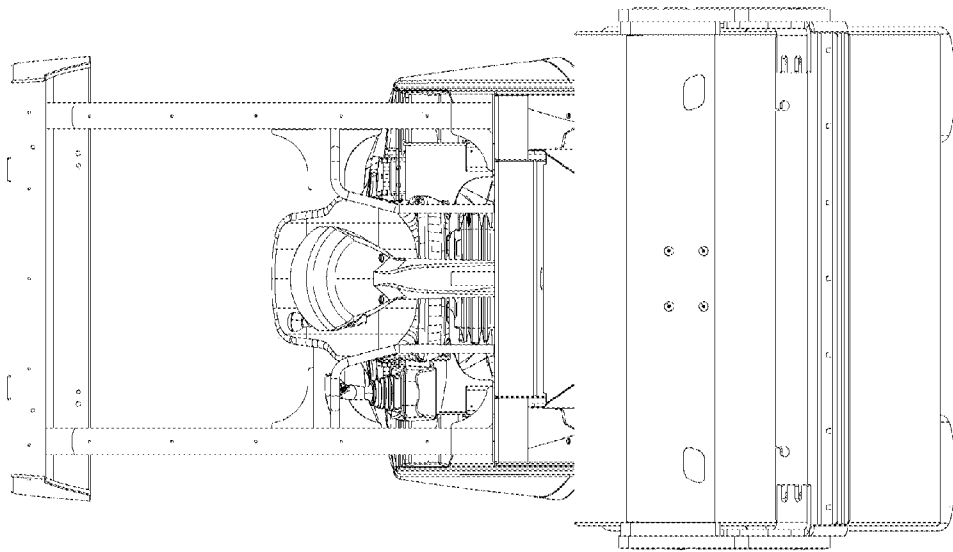


FIG. 3

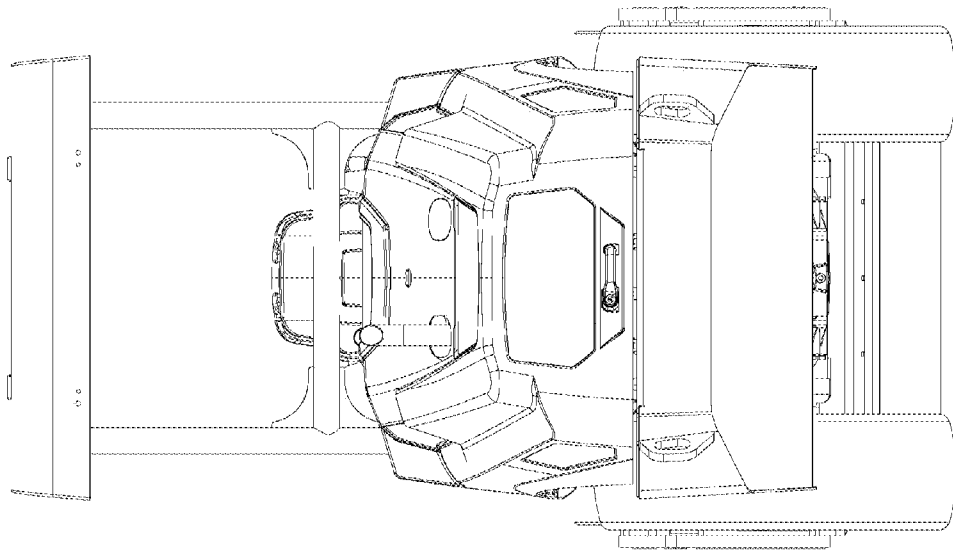


FIG. 4

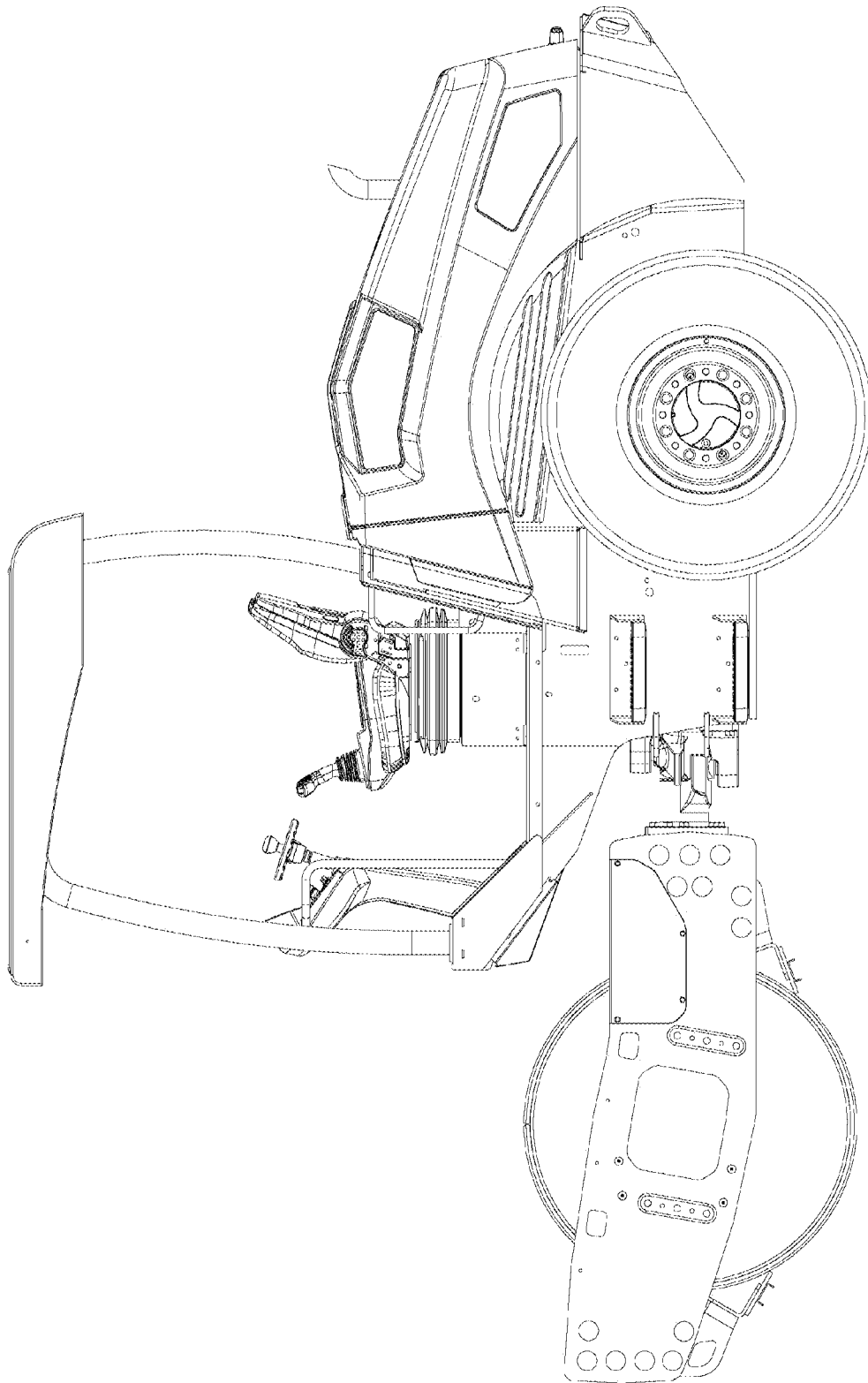


FIG. 5

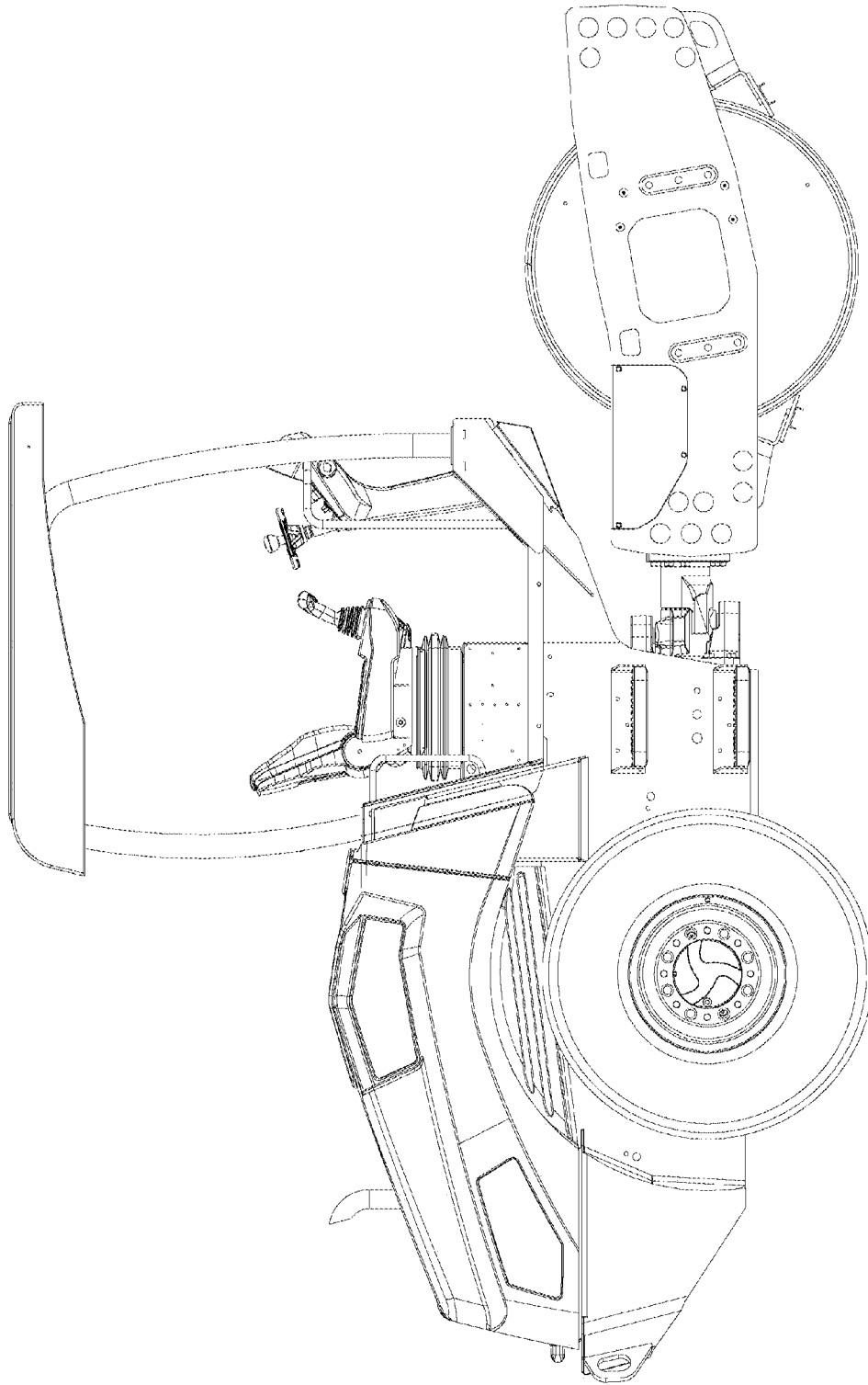


FIG. 6

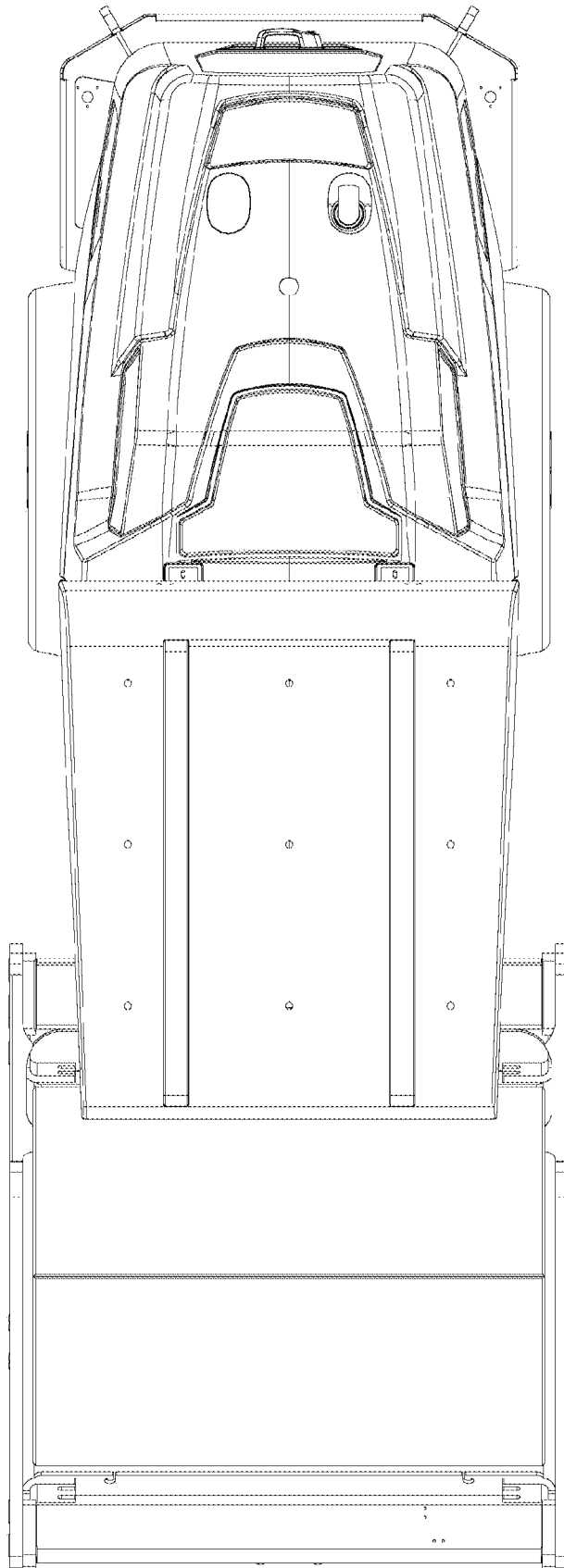


FIG. 7