



- (51) **International Patent Classification:**
H04N 5/225 (2006.01) *G03B 17/02* (2006.01)
- (21) **International Application Number:**
PCT/KR2013/000697
- (22) **International Filing Date:**
29 January 2013 (29.01.2013)
- (25) **Filing Language:** English
- (26) **Publication Language:** English
- (30) **Priority Data:**
10-2012-0069853 28 June 2012 (28.06.2012) KR
- (71) **Applicant:** LG INNOTEK CO., LTD. [KR/KR]; 20th Fl. Seoul Square 541 Namdaemunno 5-ga, Jung-gu, Seoul 100-714 (KR).
- (72) **Inventor:** AHN, Jae Wook; 20th Fl. Seoul Square 416 Hangang-daero, Jung-gu, Seoul 100-714 (KR).
- (74) **Agents:** JIN, Cheon Woong et al.; 4th Fl., Deuk-Young Bldg., 423-5, Dogokdong, Gangnam-Gu, Seoul 135-855 (KR).

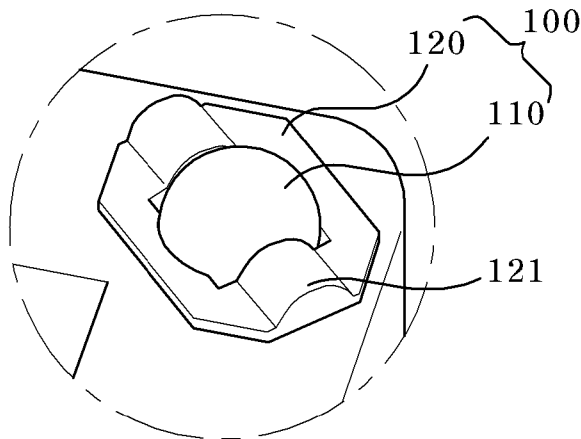
(81) **Designated States** (unless otherwise indicated, for every kind of national protection available): AE, AG, AL, AM, AO, AT, AU, AZ, BA, BB, BG, BH, BN, BR, BW, BY, BZ, CA, CH, CL, CN, CO, CR, CU, CZ, DE, DK, DM, DO, DZ, EC, EE, EG, ES, FI, GB, GD, GE, GH, GM, GT, HN, HR, HU, ID, IL, IN, IS, JP, KE, KG, KM, KN, KP, KZ, LA, LC, LK, LR, LS, LT, LU, LY, MA, MD, ME, MG, MK, MN, MW, MX, MY, MZ, NA, NG, NI, NO, NZ, OM, PA, PE, PG, PH, PL, PT, QA, RO, RS, RU, RW, SC, SD, SE, SG, SK, SL, SM, ST, SV, SY, TH, TJ, TM, TN, TR, TT, TZ, UA, UG, US, UZ, VC, VN, ZA, ZM, ZW.

(84) **Designated States** (unless otherwise indicated, for every kind of regional protection available): ARIPO (BW, GH, GM, KE, LR, LS, MW, MZ, NA, RW, SD, SL, SZ, TZ, UG, ZM, ZW), Eurasian (AM, AZ, BY, KG, KZ, RU, TJ, TM), European (AL, AT, BE, BG, CH, CY, CZ, DE, DK, EE, ES, FI, FR, GB, GR, HR, HU, IE, IS, IT, LT, LU, LV, MC, MK, MT, NL, NO, PL, PT, RO, RS, SE, SI, SK, SM, TR), OAPI (BF, BJ, CF, CG, CI, CM, GA, GN, GQ, GW, ML, MR, NE, SN, TD, TG).

Published:

— with international search report (Art. 21(3))

(54) **Title:** CAMERA MODULE



(57) **Abstract:** An exemplary embodiment of the present invention includes a PCB (Printed Circuit Board) mounted with an image sensor, a plurality of coil units arranged at an upper surface of the PCB, a housing member arranged at the upper surface of the PCB and provided with a magnet at a position corresponding to that of the coil unit, and a ball guide unit arranged at a surface opposite to the PCB of the housing member.

WO 2014/003280 A1

Description

Title of Invention: CAMERA MODULE

Technical Field

[1] The teachings in accordance with exemplary and non-limiting embodiments of this invention relate generally to a camera module.

[2]

Background Art

[3] The recent trend is that camera modules used for electronic devices are mounted with various hand-shake correction schemes automatically compensating an image instability caused by camera shake, that is, vibration of a camera apparatus typically caused by user hand, in addition to auto-focusing automatically adjusting an image focus.

[4]

[5] The hand-shake correction scheme is a function of minimizing image instability or error caused by handshake by controlling an actuator to a direction opposite to movement of an image captured by an image sensor, in a case the image captured on the image sensor is shaken by a user hand, external shock or vibration.

[6]

[7] As one of representative prior art capable of realizing a handshake prevention function, Korean Patent Application No. 10-2010-0952620, registered on April 6, 2010, discloses a camera module provided with a handshake prevention actuator in which a plurality of wires coupled at one side to a cover of a camera module, and coupled at the other side to a bobbin, is provided to compensate the handshake by interaction between an electromagnet installed at a periphery of the bobbin and a magnet arranged at a position opposite to the electromagnet inside the cover.

[8]

Disclosure of Invention

Technical Problem

[9] Accordingly, it is an object of the present invention to provide an actuator-mounted, structurally improved camera module capable of being configured in a simple structure with an inexpensive cost.

[10]

Solution to Problem

[11] In order to accomplish the above object, in one general aspect of the present invention, there is provided a camera module, the camera module comprising: a PCB (Printed Circuit Board) mounted with an image sensor; a plurality of coil units

arranged at an upper surface of the PCB; a housing member arranged at the upper surface of the PCB and provided with a magnet at a position corresponding to that of the coil unit; and a ball guide unit arranged at a surface opposite to the PCB of the housing member.

[12]

[13] Preferably, but not necessarily, the housing member may be movable to a direction parallel with a sensor surface of the image sensor by an electromagnetic interaction between the coil unit and the magnet.

[14]

[15] Preferably, but not necessarily, the camera module may further comprise a cover member coupled to the PCB and mounted therein with the housing member.

[16]

[17] Preferably, but not necessarily, the housing member may be controlled in movement to a direction parallel with the sensor surface of the image sensor.

[18]

[19] Preferably, but not necessarily, the housing member may include a frame member mounted with the magnet, and at least one or more sheets of lenses at the frame member.

[20]

[21] Preferably, but not necessarily, the magnet may be installed at a wall surface of the frame member.

[22]

[23] Preferably, but not necessarily, the magnet may be installed on a surface opposite to a bobbin of the frame member.

[24]

[25] Preferably, but not necessarily, the lens may be installed at the bobbin arranged inside the frame member.

[26]

[27] Preferably, but not necessarily, the bobbin may be wound with a coil at a periphery opposite to the magnet.

[28]

[29] Preferably, but not necessarily, the bobbin may be reciprocally installed to an axial direction at an inside of a space unit of the frame member in response to an electromagnetic interaction with the magnet.

[30]

[31] Preferably, but not necessarily, the at least one of the lenses may be formed with a variable lens to adjust refractive index of transmissive light.

[32]

[33] Preferably, but not necessarily, the lens may be capable of moving any one of an extreme outer lens and an extreme rear lens.

[34]

[35] Preferably, but not necessarily, the ball guide unit may be freely-rotatably installed at a floor surface of the frame member.

[36]

[37] Preferably, but not necessarily, the ball guide unit may include a ball member rotatably installed at a corner portion of the frame member, and a ball guide coupled to the floor surface of the frame member to prevent the ball member from being separated.

[38]

[39] Preferably, but not necessarily, the ball guide may include a grip unit preventing the ball member from being separated by gripping both distal ends of the ball member.

[40]

[41] Preferably, but not necessarily, the coil unit may be installed at any one position of a surface of the PCB and an inside of the PCB and having a pattern of a wound coil operating as an electromagnet, in a case a power is applied.

[42]

[43] Preferably, but not necessarily, the camera module may further comprise an elastic member interposed between the cover member and the frame member to elastically support a movement to an axial direction of the bobbin centrally installed at the frame member.

[44]

[45] Preferably, but not necessarily, the camera module may further comprise a guide frame interposed between the cover member and the frame member to restrict a movement to an axial direction of the frame member and to guide a movement to a direction of the sensor surface of the image sensor.

[46]

[47] Preferably, but not necessarily, the guide frame may be fixed in a state of being surface-contacted with the cover member.

[48]

[49] Preferably, but not necessarily, the guide frame may be formed with an opening at a surface opposite to the bobbin in the center.

[50]

Advantageous Effects of Invention

[51] A camera module according to an exemplary embodiment of the present invention has an advantageous effect in that handshake can be more accurately compensated by

guiding a movement of an actuator to a direction parallel with a sensor surface of an image sensor using a plurality of balls.

[52]

Brief Description of Drawings

[53] FIG. 1 is a schematic view illustrating a camera module according to an exemplary embodiment of the present invention.

[54] FIG.2 is a schematic view illustrating an arrangement relationship of a ball guide unit by transparently configuring a portion of a cover of FIG.1.

[55] FIG.3 is a bottom perspective view illustrating a housing member.

[56] FIG.4 is an enlarged view illustrating a ball guide unit installed at 'A' portion of FIG.3.

[57] FIG. 5 is a perspective view illustrating a PCB mounted with an image sensor.

[58] FIG.6 is a schematic cross-sectional view illustrating a camera module according to an exemplary embodiment of the present invention.

[59]

Best Mode for Carrying out the Invention

[60] Now, the camera module according to exemplary embodiments of the present invention will be described in detail with reference to the accompanying drawings.

[61]

[62] FIG. 1 is a schematic view illustrating a camera module according to an exemplary embodiment of the present invention, FIG.2 is a schematic view illustrating an arrangement relationship of a ball guide unit by transparently configuring a portion of a cover of FIG.1, FIG.3 is a bottom perspective view illustrating a housing member, FIG.4 is an enlarged view illustrating a ball guide unit installed at 'A' portion of FIG.3, FIG. 5 is a perspective view illustrating a PCB mounted with an image sensor, and FIG.6 is a schematic cross-sectional view illustrating a camera module according to an exemplary embodiment of the present invention.

[63]

[64] Referring to FIGS. 1 and 2, a camera module according to an exemplary embodiment of the present invention may include a PCB (10), a coil unit (20), a housing member (30), a cover member (40) and a ball guide unit (100).

[65]

[66] An image sensor (11, see FIG.5) may be installed at an approximately central vicinity of the PCB (10) to enable a reading an image, and image information read from the image sensor (11) may be outputted to a predetermined controller via a connection terminal (12) connected to an F-PCB (Flexible-PCB, 13).

[67]

[68] Referring to FIGS. 2 and 5, the coil unit (20) may be positioned at an upper surface of the PCB (10), which is a surface opposite to a frame member (32) of the housing member (30, described later), to control a movement to a shift direction parallel with the image sensor (11) of the housing member (30). The coil unit (20) will be described later along with configuration of the housing member (30).

[69]

[70] Referring to FIGS. 2 and 3, the housing member (30) may include an actuator equipped with at least any one function of an auto focus function for compensating an image captured by the image sensor (11, see FIG.5) and a handshake prevention function. According to an exemplary embodiment of the present invention, the housing member (30) may be positioned with a bobbin (31) mounted with a plurality of lenses and a frame member (32) centrally arranged by the bobbin (31).

[71]

[72] The bobbin (31) may be injection-molded with a material including plastic, and may be arranged therein with one or more sheets of lenses (31a) to transmit an outside image to the image sensor. At this time, a separate lens may be formed at an upper surface or a bottom surface of the bobbin (31) to realize an auto focusing function and/or handshake prevention function by liftably controlling an extreme upper lens or an extreme bottom lens. Furthermore, one or more lenses (31a) mounted at an interior of the bobbin (31) may be fixed to a lens barrel and coupled and fixed at a center of the bobbin (31) to liftably control an entire of the bobbin (31), whereby the auto focusing function and/or handshake prevention function may be realized.

[73]

[74] Alternatively, any one of the lenses installed at an interior of the bobbin (31) may be configured with a structure capable of varying a refractive index to realize the auto focusing function. The auto focusing function may be variably set in addition to the abovementioned configurations.

[75]

[76] Meanwhile, in case of realizing the auto focusing function by lifting the bobbin (31) to a direction parallel with an optical axis, a periphery of the bobbin (31) may be wound with a coil (31b) as illustrated in FIG. 6, and a surface opposite to the bobbin (31) may be arranged with a magnet (33, described later) to allow the bobbin (31) to lift to a direction parallel with an optical axis at a center of the frame member (32). A general configuration for controlling the abovementioned movement is same as a control method of a conventional voice coil motor.

[77]

[78] The frame member (32) may be formed at an inside of the cover member (40) and supported by the ball guide unit (100) to allow moving to a direction parallel with a

sensor surface of the image sensor mounted at the PCB (10). The frame member (32) may be provided in an approximately cubic shape. In this case, the frame member (32) may be formed at an approximate center with a space unit (32a), and the space unit (32a) may be reciprocally arranged with the bobbin (31).

[79]

[80] Referring to FIG.2, the bobbin (31) may be installed at an upper surface with an elastic member (35) mounted at an upper surface of the frame member (32), where the elastic member (35) may elastically support the lifting operation of the bobbin (31). The elastic member (35) may be fixed to an entire upper surface of the frame member (32), and may be so installed as to move in conjunction with movement of the frame member (32).

[81]

[82] Meanwhile, although not illustrated, in a configuration where the auto focusing function is realized by movement of any one lens positioned at an upper surface, at a bottom surface or at an inside of the bobbin (31), the bobbin (31) may maintain a fixed state inside the frame member (32). The cover member (40) may serve to form an exterior look of the camera module, being made of a metal material, and function as a shield can blocking electromagnetic wave.

[83]

[84] Meanwhile, as illustrated in FIGS. 2 and 5, a surface opposite to the magnet (33) installed at the frame member (32) of the PCB (10) may be formed with at least four (4) coil units (20). The coil unit (20) may be installed on a surface or at an inside of the PCB (10) and receive a power to operate as an electromagnet by being formed with a fine pattern wound with fine coils. Thus, in a case the power is applied to the coil unit (20) to generate an electromagnetic interaction with the magnet (33), a shift direction and a moving distance of the frame member (32) can be adjusted by a current amount applied to the plurality of coil units (20).

[85]

[86] In a case the frame member (32) is shift-controlled to a horizontal direction of the PCB (10) by the electromagnetic interaction between the coil unit (20) and the magnet (33), the handshake compensation of an image captured by the image sensor (11) may be performed. That is, in a case the frame member (32) is shift-controlled, an optical axis passing through the bobbin (31) can be adjusted, because the bobbin (31) centrally installed at the frame member (32) is also moved in conjunction with a shift movement of the frame member (32).

[87]

[88] Furthermore, a guide frame (36) may be interposed between the cover member (40) and the frame member (32) at an upper surface of the frame member (32). One side of

the guide frame (36) may surface-contact the cover member (40) while the other opposite side may surface-contact the frame member (32) and the elastic member (35) installed at an upper surface of the frame member (32) to restrict the frame member (32) and the elastic member (35) to a direction parallel with the optical axis, and to also guide a basic position to a horizontal direction of the frame member (32). Thus, the moving direction of the frame member (32) may be so guided as to move to a direction parallel with the sensor surface of the image sensor (11) by the guide frame (36).

[89]

[90] In a case the coil unit (20) formed at the surface of the PCB (10) is applied with a power to generate the electromagnetic force, the frame member (32) may move to a direction parallel with the sensor surface of the image sensor (11) in response to interaction with the magnet (33) installed at the frame member (32), where the movement to a direction parallel with the optical axis may be restricted.

[91]

[92] Thus, the auto focusing function can be separately realized away from the shift movement of the frame member (32). By way of non-limiting example, an actuator individually operating with the frame member (32) can be configured as in the movement to an optical axis of the bobbin (31) installed inside the frame member (32) or the adjustment of refractive index of at least one lens, and the camera module according to an exemplary embodiment of the present invention may include the ball guide unit (100) to allow softly guiding the movement to a shift direction of the frame member (32) for the handshake compensation function. The ball guide unit (100) may include a ball member (110) and a ball guide (120).

[93]

[94] Referring to FIGS.3 and 4, a plurality of ball members (110), each of a sphere shape, may be arranged at a floor surface of the frame member (32). By way of non-limiting example, as illustrated in FIGS. 3 and 4, in a case the frame member (32) is provided with a cubic shape, the ball member (110) may be insertedly and rotatably installed at each of four corners of the frame member (32). The reason of installing the ball member (110) at each of the four corners of the frame member (32) is to prevent interference with the magnet (33). Because the ball member (110) is provided with the spherical shape, a frictional force interrupting a rolling operation of the ball member (110) can be minimized by maintaining a surface-contact with the surface opposite to the PCB (10).

[95]

[96] The ball guide (120) is installed to prevent the ball member (110) from being separated from a floor surface of the frame member (32), and, as illustrated in FIG.4,

prevents the ball guide (120) and the ball member (110) from being separated by gripping both lateral surfaces of the ball member (110). At this time, although the ball member (110) may be prevented from being separated by the ball guide (120), the rotational direction is not restricted. Thus, the ball member (110) can freely rotate along a moving direction of the frame member (32).

[97]

[98] Thus, a contact surface between the ball member (110) and the PCB (10) is always being point-contacted to minimize the frictional force, because the ball member (110) moves by rolling on an upper surface of the PCB (10) in a case the frame member (32) is moved by electromagnetic interaction between the coil unit (20) and the magnet (33).

[99]

[100] According to the exemplary embodiment of the present invention thus configured, the frame member (32) may be guided on an upper surface of the PCB (10) by the ball guide unit (100), and movement to a direction parallel with the optical axis may be upwardly restricted by the guide frame (36), and basic position to a horizontal direction may be also guided. The shift to a direction parallel with the sensor surface of the image sensor (11) may be also controlled in response to changes in a current applied from the coil unit (20). Furthermore, in a case the coil unit (20) is installed at an upper surface of the PCB (10), the camera module can be more compactly configured over the coil unit configured on an inner surface of the cover member (40) to the advantage of miniaturization of device.

[101]

[102] Meanwhile, although the above-mentioned description has exemplified a voice coil motor by way of configuration of an actuator performing the auto focusing function, the present invention is not limited thereto. By way of non-limiting example, the actuator performing the auto focusing function may be any one of a MEMS (Micro Electric Mechanical System) actuator capable of moving one sheet of lens, a MEMS piezoelectric actuator, a MEMS bimorph actuator, an MEMS thermal actuator, a MEMS magnetic actuator, a MEMS liquid actuator, a non-MEMS type actuator, a silicon type actuator, and a liquid lens, or any type of actuator that is configured by combination thereof.

[103]

[104] The MEMS actuator using an electrostatic force applies a voltage to a pair of facing stationary combs perpendicularly projected from a planar surface and inserted into each other so that the electrostatic force generated between the two combs uniformly produces power depending on relative movement between the combs. The MEMS actuator (electrostatic comb-drive actuator) has an advantage of providing uniform

power with respect to movement of one comb. The handshake compensation function may be realized by configuration of the optical axis to a horizontal shift movement according to a method of restricting a direction of degree of freedom of the pair of combs. The auto focusing function may be realized by configuration of the optical axis to a vertical shift movement.

[105]

[106] The MEMS piezoelectric actuator and the MEMS bimorph actuator are configured in such a manner that in a case a predetermined size of voltage is applied to a piezoelectric element, a thin plate of transmissive material such as glass membrane is deformed using a principle of generating a displacement on the piezoelectric element, where a refractive index of transmissive light is adjusted to realize the auto focusing function or the handshake compensation function.

[107]

[108] A MEMS thermal actuator is a micromechanical device that typically generates motion by thermal expansion amplification, where a small amount of thermal expansion of one part of the device translates to a large amount of deflection of the overall device, and where a temperature of a member is changed using a heating source such as an electric resistor and a refractive index of transmissive light is adjusted using deformation caused by difference in thermal expansion to thereby realize the auto focusing function or the handshake compensation function.

[109]

[110]

[111] The previous description of the present invention is provided to enable any person skilled in the art to make or use the invention. Various modifications to the invention will be readily apparent to those skilled in the art, and the generic principles defined herein may be applied to other variations without departing from the spirit or scope of the invention. Thus, the invention is not intended to limit the examples described herein, but is to be accorded the widest scope consistent with the principles and novel features disclosed herein.

[112]

Industrial Applicability

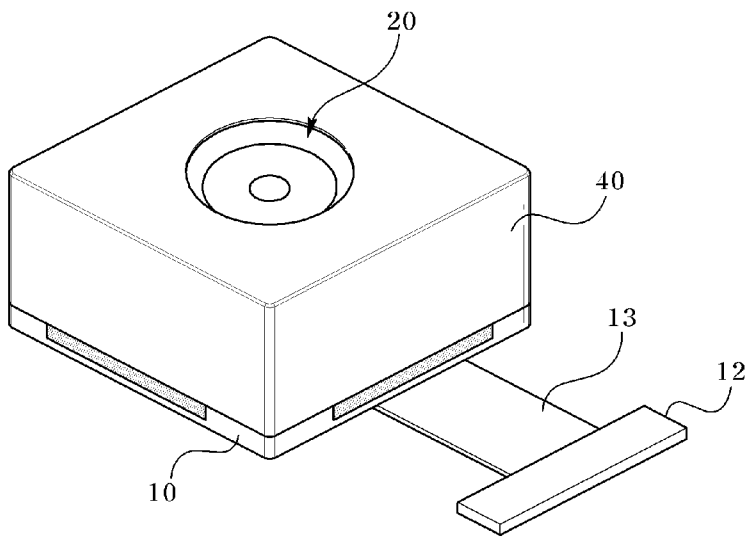
[113] The camera module according to exemplary embodiments of the present invention has an industrial applicability in that it can be applied to a camera module mounted at small electronic devices such as a mobile terminal and a tablet PC.

Claims

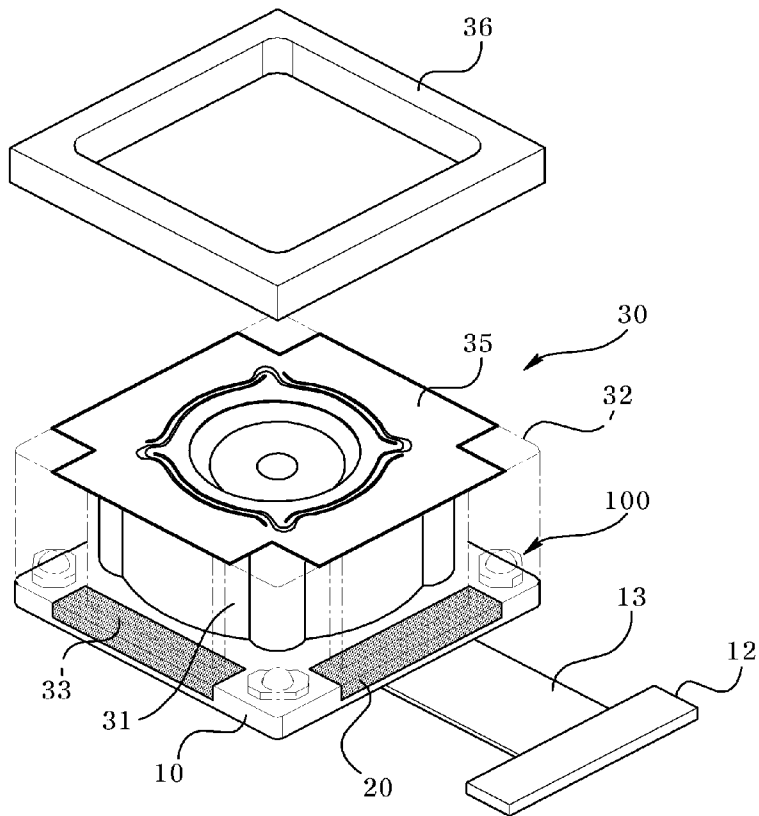
- [Claim 1] A camera module, the camera module comprising:
a PCB (Printed Circuit Board) mounted with an image sensor;
a plurality of coil units arranged at an upper surface of the PCB;
a housing member arranged at the upper surface of the PCB and provided with a magnet at a position corresponding to that of the coil unit; and
a ball guide unit arranged at a surface opposite to the PCB of the housing member.
- [Claim 2] The camera module of claim 1, wherein the housing member is movable to a direction parallel with a sensor surface of the image sensor in response to an electromagnetic interaction between the coil unit and the magnet.
- [Claim 3] The camera module of claim 1, further comprising a cover member coupled to the PCB and mounted therein with the housing member.
- [Claim 4] The camera module of claim 1, wherein the housing member is controlled in movement to a direction parallel with the sensor surface of the image sensor.
- [Claim 5] The camera module of claim 1, wherein the housing member includes a frame member mounted with the magnet, and at least one or more sheets of lenses at the frame member.
- [Claim 6] The camera module of claim 5, wherein the magnet is installed at a wall surface of the frame member.
- [Claim 7] The camera module of claim 6, wherein the magnet is installed on a surface opposite to a bobbin of the frame member.
- [Claim 8] The camera module of claim 5, wherein the lens is installed at the bobbin arranged inside the frame member.
- [Claim 9] The camera module of claim 8, wherein the bobbin is wound with a coil at a periphery opposite to the magnet.
- [Claim 10] The camera module of claim 9, wherein the bobbin is reciprocally installed to an axial direction at an inside of a space unit of the frame member in response to an electromagnetic interaction with the magnet.
- [Claim 11] The camera module of claim 5, wherein the at least one of the lenses is formed with a variable lens to adjust refractive index of transmissive light.
- [Claim 12] The camera module of claim 5, wherein the lens is capable of moving any one of an extreme outer lens and an extreme rear lens.

- [Claim 13] The camera module of claim 5, wherein the ball guide unit is freely-rotatably installed at a floor surface of the frame member.
- [Claim 14] The camera module of claim 13, wherein the ball guide unit includes a ball member rotatably installed at a corner portion of the frame member, and a ball guide coupled to the floor surface of the frame member to prevent the ball member from being separated.
- [Claim 15] The camera module of claim 5, wherein the ball guide includes a grip unit preventing the ball member from being separated by gripping both distal ends of the ball member.
- [Claim 16] The camera module of claim 1, wherein the coil unit is installed at any one position of a surface of the PCB and an inside of the PCB and has a pattern of a wound coil operating as an electromagnet, in a case a power is applied.
- [Claim 17] The camera module of claim 5, further comprising an elastic member interposed between the cover member and the frame member to elastically support a movement to an axial direction of the bobbin centrally installed at the frame member.
- [Claim 18] The camera module of claim 5, further comprising a guide frame interposed between the cover member and the frame member to restrict a movement to an axial direction of the frame member and to guide a movement to a direction of the sensor surface of the image sensor.
- [Claim 19] The camera module of claim 18, wherein the guide frame is fixed in a state of being surface-contacted with the cover member.
- [Claim 20] The camera module of claim 18, wherein the guide frame is formed with an opening at a surface opposite to the bobbin in the center.

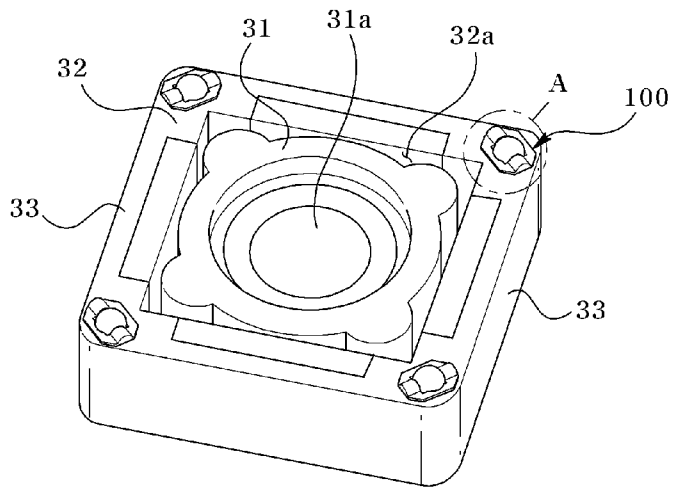
[Fig. 1]



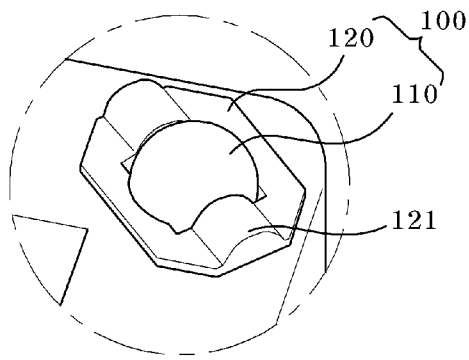
[Fig. 2]



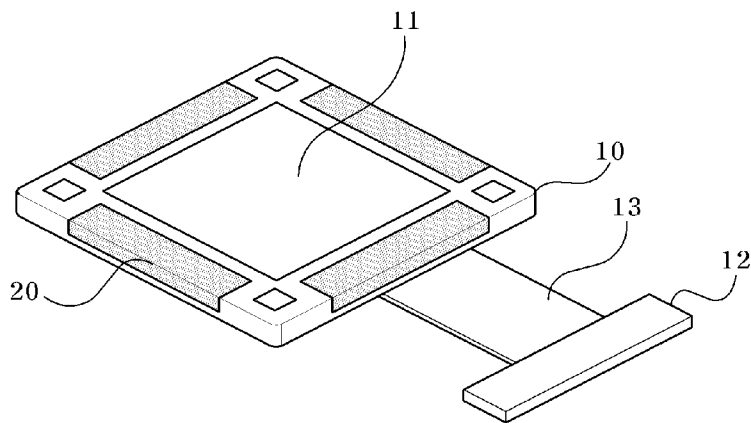
[Fig. 3]



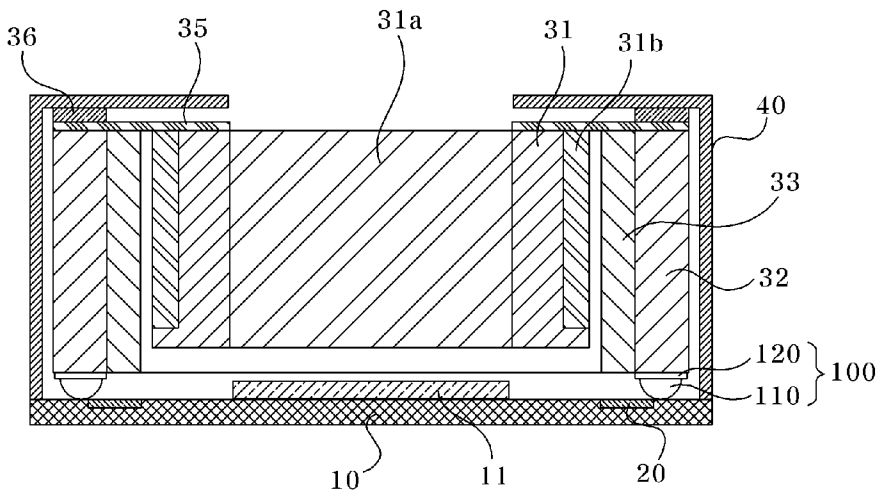
[Fig. 4]



[Fig. 5]



[Fig. 6]



INTERNATIONAL SEARCH REPORT

International application No.
PCT/KR2013/000697**A. CLASSIFICATION OF SUBJECT MATTER****H04N 5/225(2006.01)i, G03B 17/02(2006.01)i**

According to International Patent Classification (IPC) or to both national classification and IPC

B. FIELDS SEARCHED

Minimum documentation searched (classification system followed by classification symbols)

H04N 5/225; H04N 5/232; F16F 15/00; G03B 5/00; G03B 17/00; H04N 5/228

Documentation searched other than minimum documentation to the extent that such documents are included in the fields searched

Korean utility models and applications for utility models

Japanese utility models and applications for utility models

Electronic data base consulted during the international search (name of data base and, where practicable, search terms used)

eKOMPASS(KIPO internal) & Keywords: camera, handshake, magnet, coil, ball, and similar terms.

C. DOCUMENTS CONSIDERED TO BE RELEVANT

| Category* | Citation of document, with indication, where appropriate, of the relevant passages | Relevant to claim No. |
|-----------|--|-----------------------|
| X | KR 10-2010-0109727 A (SAMSUNG TECHWIN CO., LTD.) 11 October 2010 See paragraphs [0010], [0011], [0022]-[0027], [0029]-[0039], claims 1, 8, 9, and figure 1. | 1-20 |
| A | KR 10-2010-0109331 A (SAMSUNG TECHWIN CO., LTD.) 08 October 2010 See paragraphs [0025], [0057], [0060]-[0064] and figures 6-8. | 1-20 |
| A | US 2011-0122267 A1 (AHN, JAE-WOOK et al.) 26 May 2011 See paragraphs [0026]-[0029], [0048]-[0054] and figures 1-5. | 1-20 |
| A | US 2010-0316363 A1 (CHOU, TAI-HSU) 16 December 2010 See paragraphs [0015], [0016], [0018]-[0024], [0033] and figures 1, 4. | 1-20 |
| A | WO 2011-155318 A1 (NIDEC SANKYO CORP.) 15 December 2011 See paragraphs [0045]-[0048], [0050], [0056], [0071] and figures 1, 4. | 1-20 |

 Further documents are listed in the continuation of Box C. See patent family annex.

* Special categories of cited documents:

"A" document defining the general state of the art which is not considered to be of particular relevance

"E" earlier application or patent but published on or after the international filing date

"L" document which may throw doubts on priority claim(s) or which is cited to establish the publication date of citation or other special reason (as specified)

"O" document referring to an oral disclosure, use, exhibition or other means

"P" document published prior to the international filing date but later than the priority date claimed

"T" later document published after the international filing date or priority date and not in conflict with the application but cited to understand the principle or theory underlying the invention

"X" document of particular relevance; the claimed invention cannot be considered novel or cannot be considered to involve an inventive step when the document is taken alone

"Y" document of particular relevance; the claimed invention cannot be considered to involve an inventive step when the document is combined with one or more other such documents, such combination being obvious to a person skilled in the art

"&" document member of the same patent family

Date of the actual completion of the international search

15 May 2013 (15.05.2013)

Date of mailing of the international search report

16 May 2013 (16.05.2013)

Name and mailing address of the ISA/KR

Korean Intellectual Property Office
189 Cheongsa-ro, Seo-gu, Daejeon Metropolitan
City, 302-701, Republic of Korea

Facsimile No. 82-42-472-7140

Authorized officer

HWANG, Yun Koo

Telephone No. 82-42-481-5715



INTERNATIONAL SEARCH REPORT

Information on patent family members

International application No.

PCT/KR2013/000697

| Patent document cited in search report | Publication date | Patent family member(s) | Publication date |
|--|------------------|--|--|
| KR 10-2010-0109727 A | 11. 10. 2010 | None | |
| KR 10-2010-0109331 A | 08. 10. 2010 | None | |
| US 2011-0122267 A1 | 26. 05. 2011 | CN 102073191 A JP 2011-100124 A KR 10-2011-0050210 A KR 10-2011-0056112 A | 25. 05. 2011 19. 05. 2011 13. 05. 2011 26. 05. 2011 |
| US 2010-0316363 A1 | 16. 12. 2010 | CN 101924449 A US 7974528 B2 | 22. 12. 2010 05. 07. 2011 |
| WO 2011-155318 A1 | 15. 12. 2011 | JP 2011-257506 A JP 2011-257507 A US 2013-0076924 A1 | 22. 12. 2011 22. 12. 2011 28. 03. 2013 |