



US0D1002575S

(12) **United States Design Patent**
Tang

(10) **Patent No.:** **US D1,002,575 S**

(45) **Date of Patent:** **** Oct. 24, 2023**

- (54) **HEADPHONE**
- (71) Applicant: **SHENZHEN CHAOSUPAO ELECTRONIC TECHNOLOGY CO., LTD, Shenzhen (CN)**
- (72) Inventor: **Caigang Tang, Shenzhen (CN)**
- (73) Assignee: **SHENZHEN CHAOSUPAO ELECTRONIC TECHNOLOGY CO., LTD, Shenzhen (CN)**
- (**) Term: **15 Years**
- (21) Appl. No.: **29/802,380**
- (22) Filed: **Aug. 4, 2021**
- (51) **LOC (14) Cl.** **14-01**
- (52) **U.S. Cl.**
USPC **D14/205**
- (58) **Field of Classification Search**
USPC D14/205, 188, 192; D29/112; 2/209; 381/380-381, 370, 374, 378
CPC H04R 25/00; H04R 25/02; H04R 1/1066; H04R 1/1016; H04R 1/10; H04R 5/033; H04R 5/0335; H04R 1/1083; H04R 1/1058; H04R 1/105; H04R 1/1091
See application file for complete search history.

- 5,406,037 A * 4/1995 Nageno H04R 5/0335
181/129
- 7,072,483 B2 * 7/2006 Lenhard-Backhaus
H04R 1/1066
381/370
- D538,261 S * 3/2007 Taylor D14/205
- D573,581 S * 7/2008 Gondo D14/205
- D581,394 S * 11/2008 Lee D14/205
- D625,705 S * 10/2010 Ohori D14/223
- 8,031,878 B2 * 10/2011 Gauger, Jr. H04R 1/1025
381/74
- D657,344 S * 4/2012 Brunner D14/205
- D673,518 S * 1/2013 Tan D14/205
- D673,520 S * 1/2013 Tan D14/205
- D675,595 S * 2/2013 Cho D14/205
- D683,717 S * 6/2013 Kelly D14/205
- D696,228 S * 12/2013 Miyake D14/205
- 8,755,555 B2 * 6/2014 Dougherty H04R 1/1066
381/370

(Continued)

FOREIGN PATENT DOCUMENTS

- GB 6211054 * 5/2022
- Primary Examiner* — Paula Allen Greene

(57) **CLAIM**

The ornamental design for a headphone, as shown and described.

(56) **References Cited**

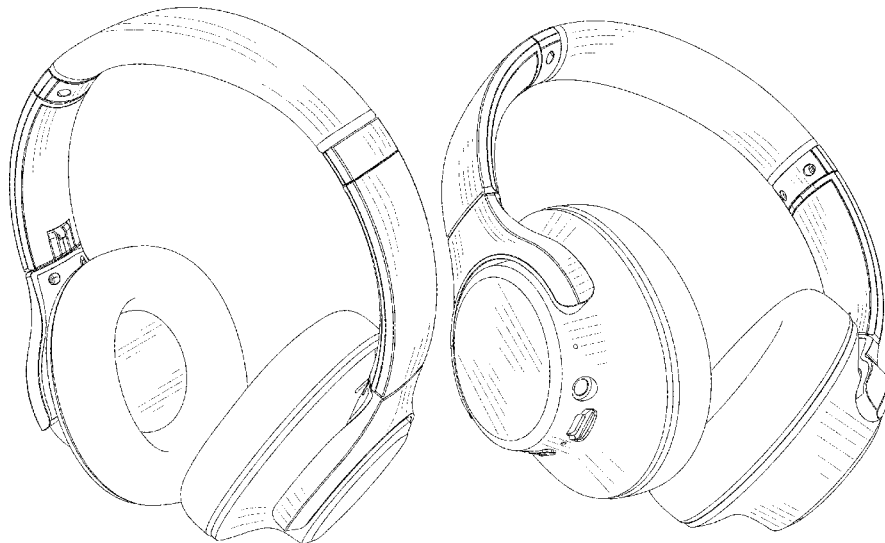
U.S. PATENT DOCUMENTS

- 1,648,832 A * 11/1927 Urban H04R 1/1008
181/129
- 2,006,002 A * 6/1935 Schneider G03C 1/053
430/628
- 2,149,341 A * 3/1939 Harrison H04R 1/1066
248/274.1
- 4,385,209 A * 5/1983 Greason H04M 1/03
381/113
- D328,461 S * 8/1992 Daido D14/205
- 5,293,647 A * 3/1994 Mirmilshsteyn H04R 1/10
379/430

DESCRIPTION

FIG. 1 is a perspective view of a headphone showing my new design;
FIG. 2 is another perspective view thereof;
FIG. 3 is a front elevational view thereof;
FIG. 4 is a rear elevational view thereof;
FIG. 5 is a left side elevational view thereof;
FIG. 6 is a right side elevational view thereof;
FIG. 7 is a top plan view thereof; and,
FIG. 8 is a bottom plan view thereof.

1 Claim, 8 Drawing Sheets



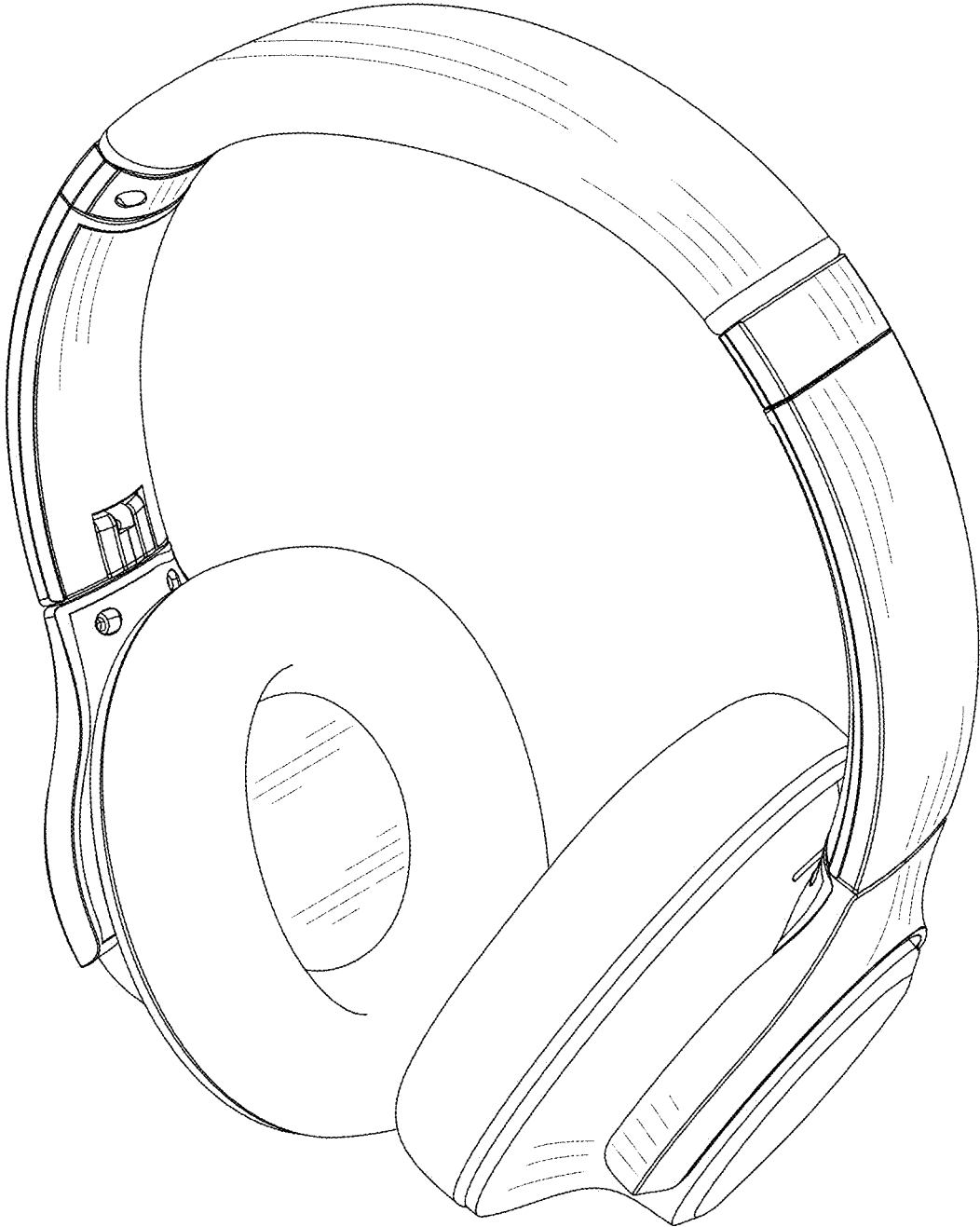


FIG. 1

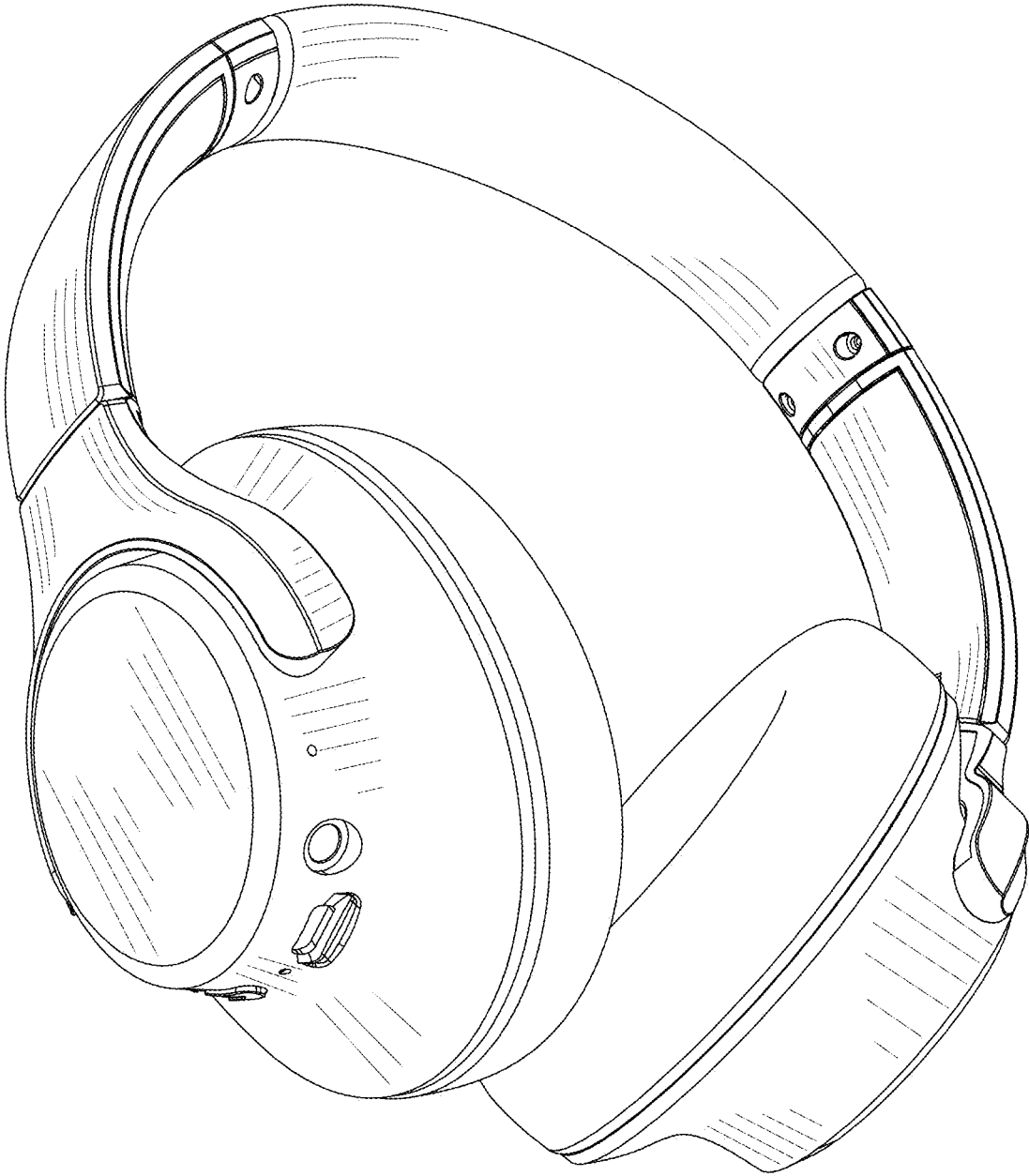


FIG. 2



FIG. 3



FIG. 4

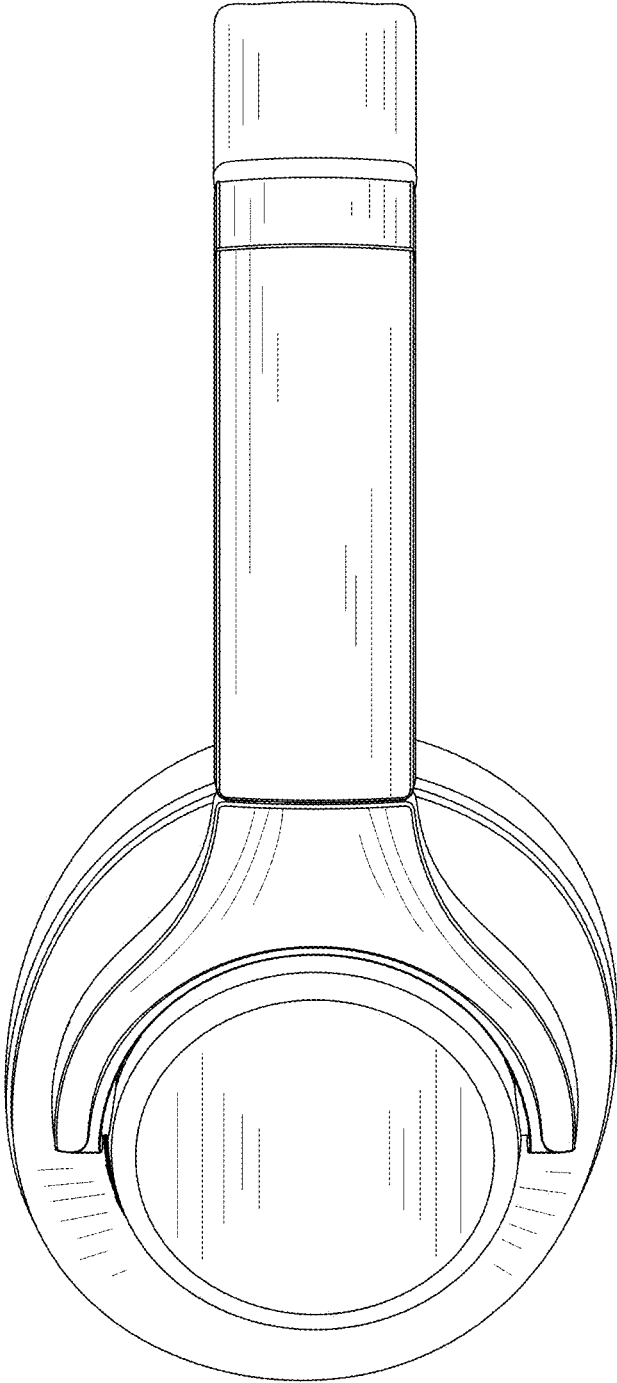


FIG. 5

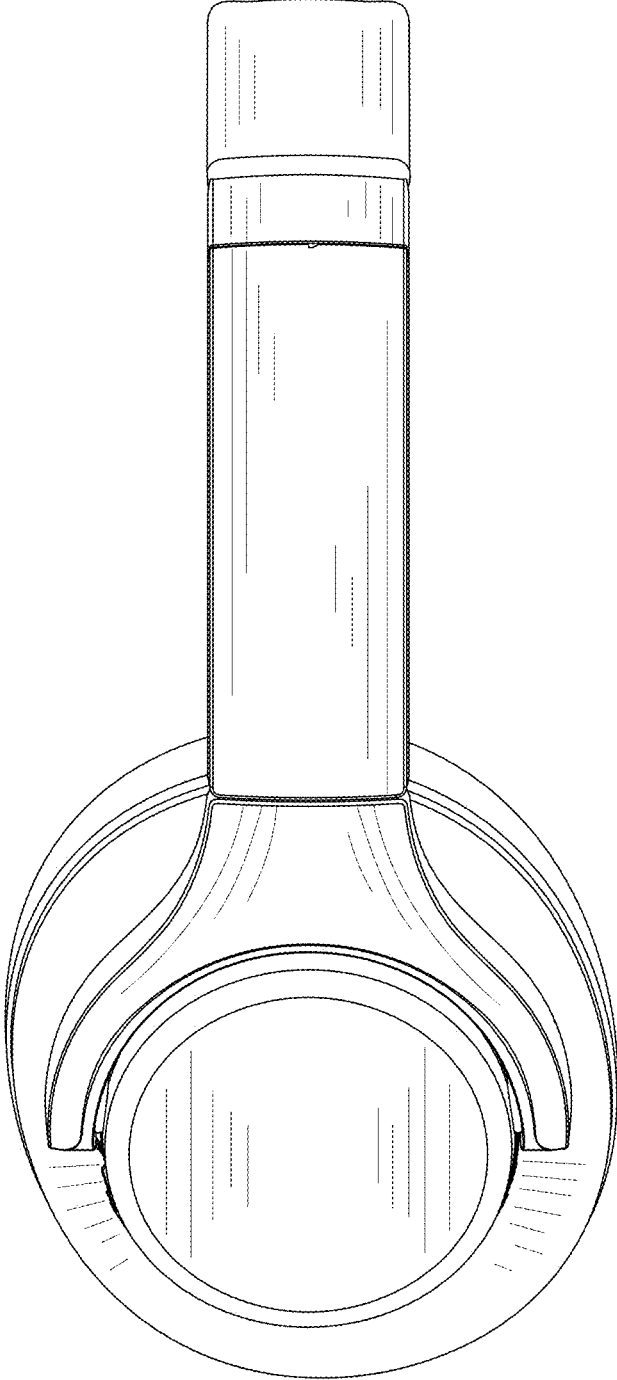


FIG. 6

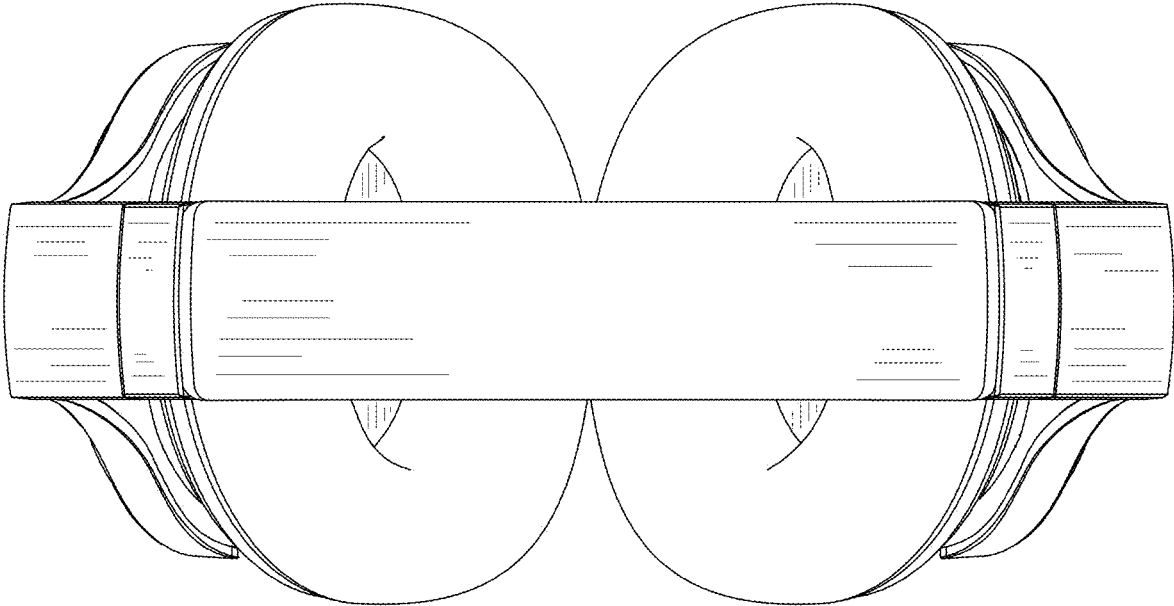


FIG. 7

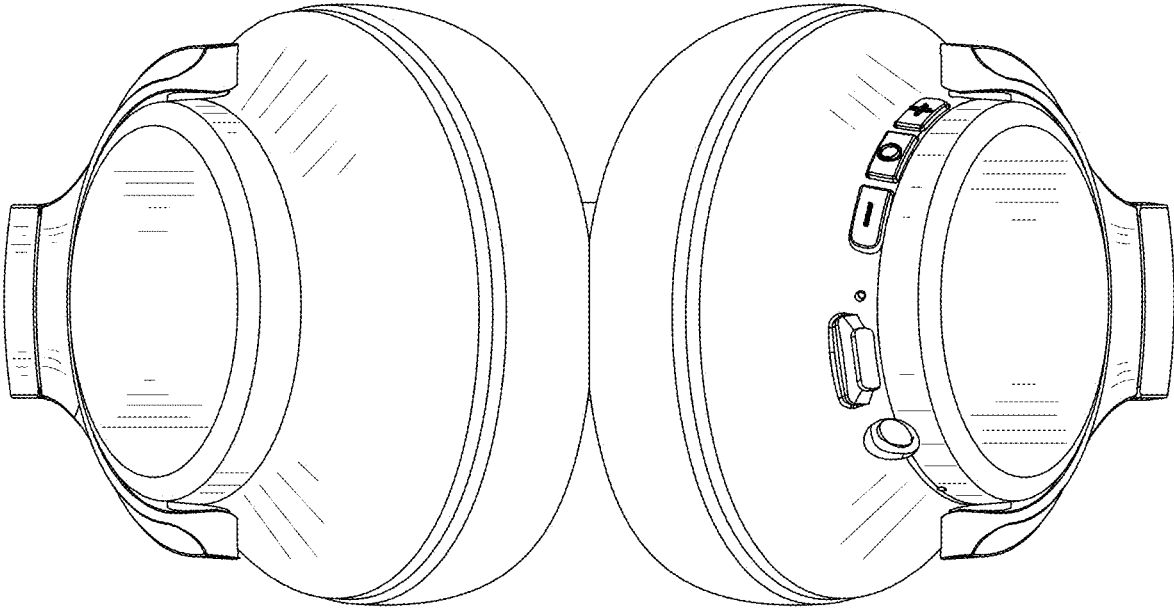


FIG. 8