



US00D490992S

(12) **United States Design Patent** (10) **Patent No.:** **US D490,992 S**
Thomas et al. (45) **Date of Patent:** **** Jun. 8, 2004**

(54) **HANDICAPPED ACCESSIBLE PICNIC TABLE**

D235,394 S * 6/1975 Ruth D6/337
4,917,436 A 4/1990 Thom
D416,693 S 11/1999 Kovalchek
6,116,681 A 9/2000 Borglum

(75) Inventors: **Craig R. Thomas**, Cherokee, IA (US);
Steven M. Thomas, Cherokee, IA (US)

* cited by examiner

(73) Assignee: **R. J. Thomas Mfg. Co., Inc.**,
Cherokee, IA (US)

Primary Examiner—James Gandy

Assistant Examiner—Mimosa De

(**) Term: **14 Years**

(74) *Attorney, Agent, or Firm*—McKee, Voorhees & Sease,
P.L.C.

(21) Appl. No.: **29/191,749**

(57) **CLAIM**

(22) Filed: **Oct. 14, 2003**

We claim the ornamental design for a handicapped accessible picnic table, substantially as shown.

(51) **LOC (7) Cl.** **06-01**

DESCRIPTION

(52) **U.S. Cl.** **D6/337**

(58) **Field of Search** D6/333, 334, 335,
D6/336, 337, 500-502; 297/157.1, 158.2,
158.3, 158.4, 158.5, 159.1

FIG. 1 is a perspective view of the handicapped accessible picnic table.

FIG. 2 is an end view of the design of the handicapped accessible picnic table.

FIG. 3 is a side view of the design of the handicapped accessible picnic table.

FIG. 4 is a top view of the design of the handicapped accessible picnic table; and,

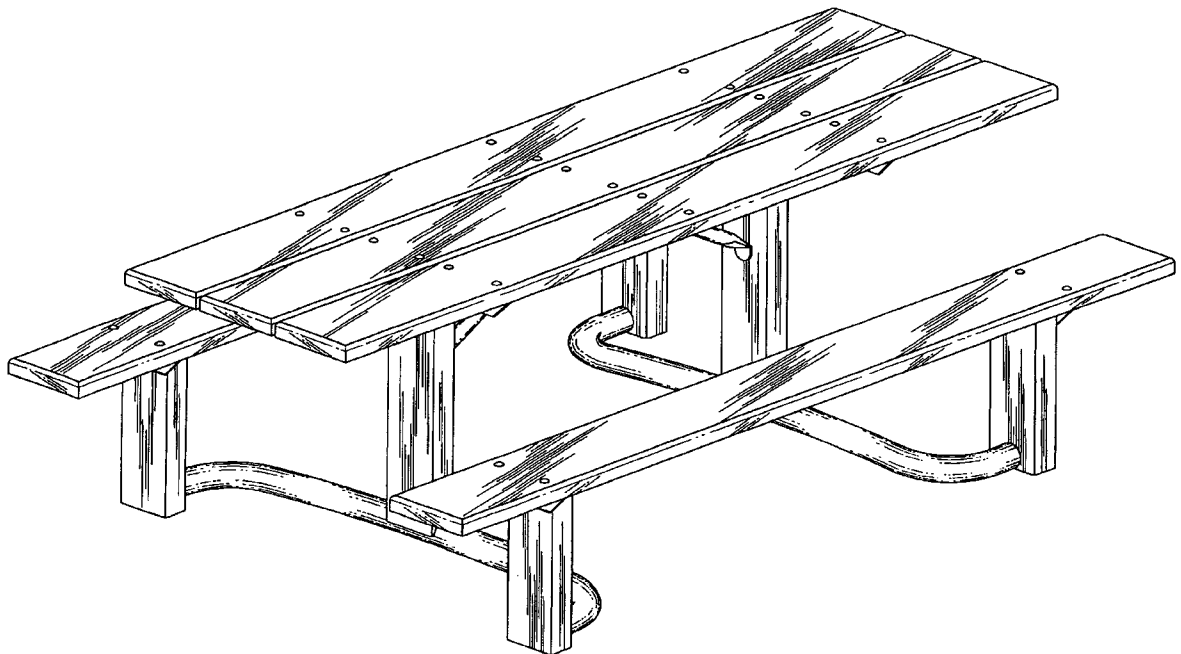
FIG. 5 is a bottom view of the design of the handicapped accessible picnic table.

(56) **References Cited**

U.S. PATENT DOCUMENTS

2,583,247 A * 1/1952 Sisto et al. 297/158.4
2,722,971 A * 11/1955 Gallagher et al. D6/337
2,746,525 A * 5/1956 Cooper 297/158.5
D190,744 S 6/1961 Guice
3,262,734 A * 7/1966 Kuks D6/337

1 Claim, 5 Drawing Sheets



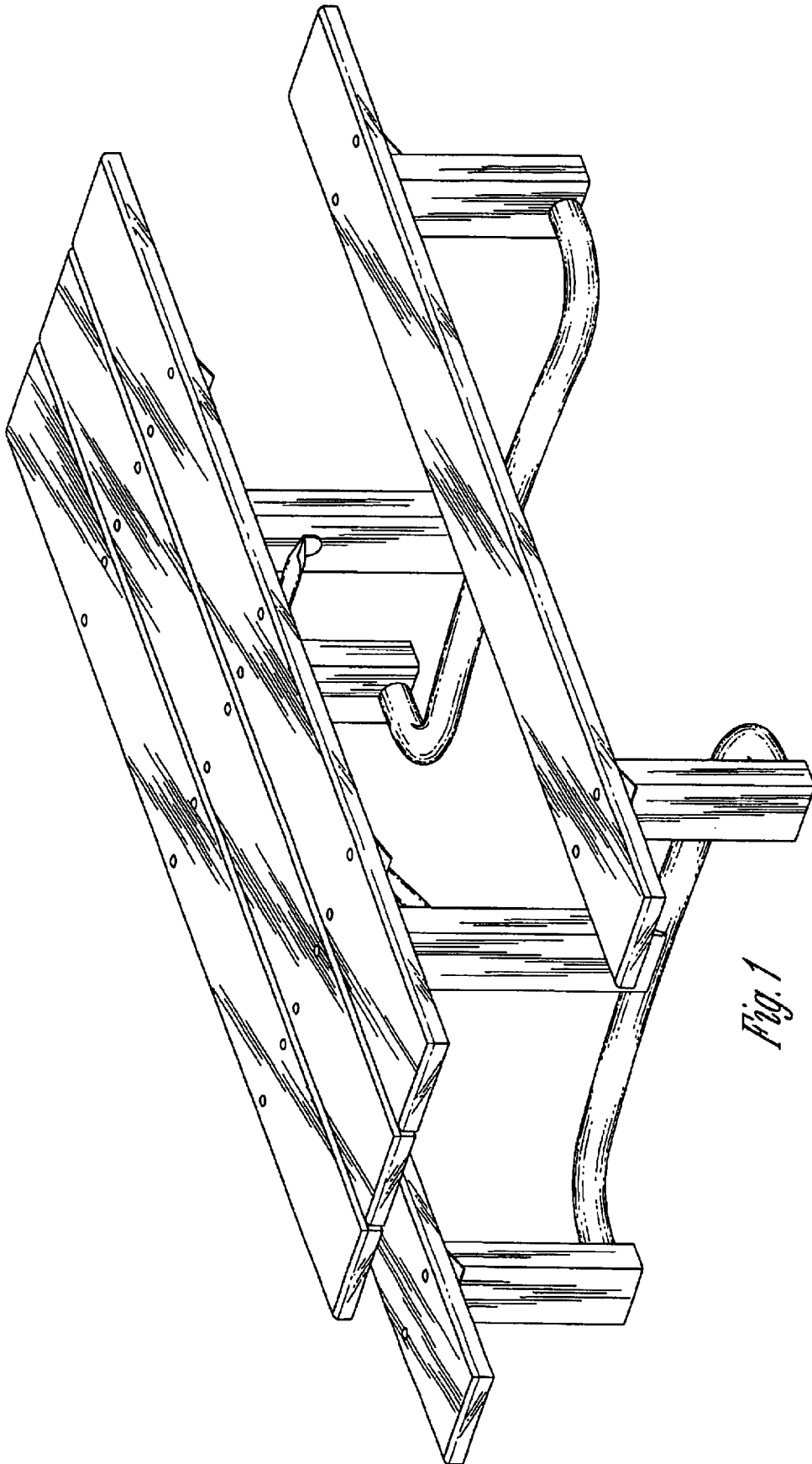


Fig. 1

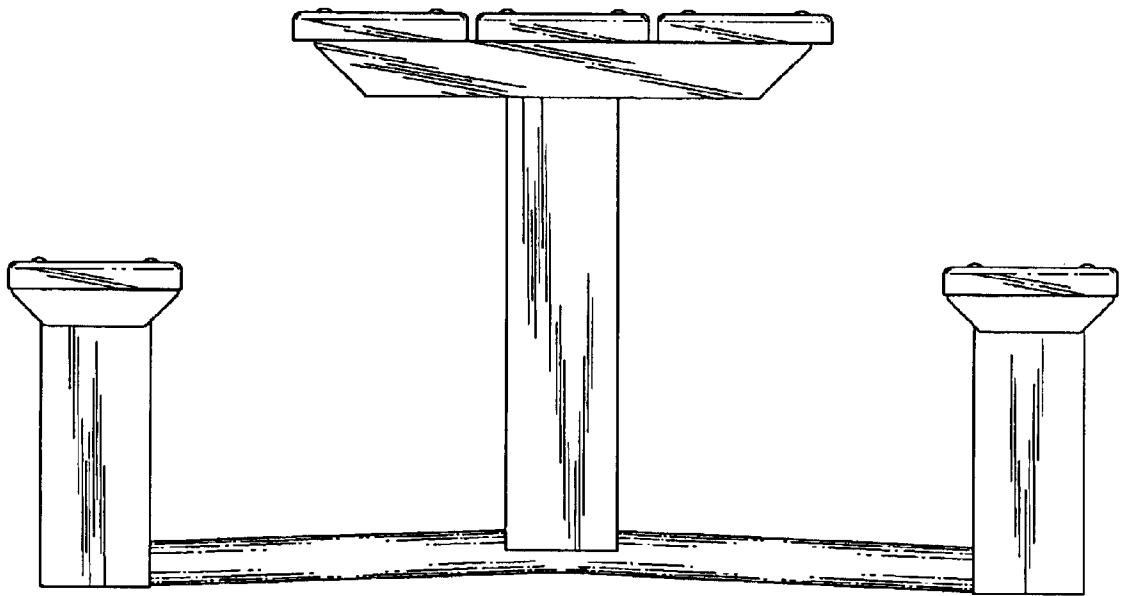


Fig. 2

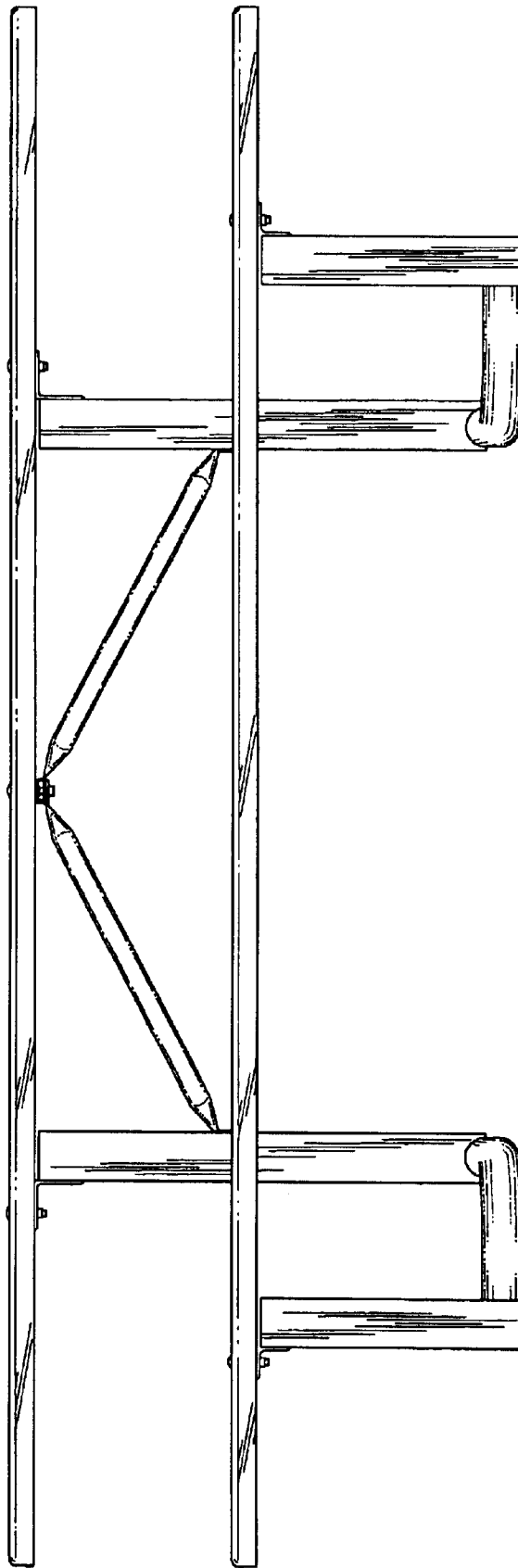


Fig. 3

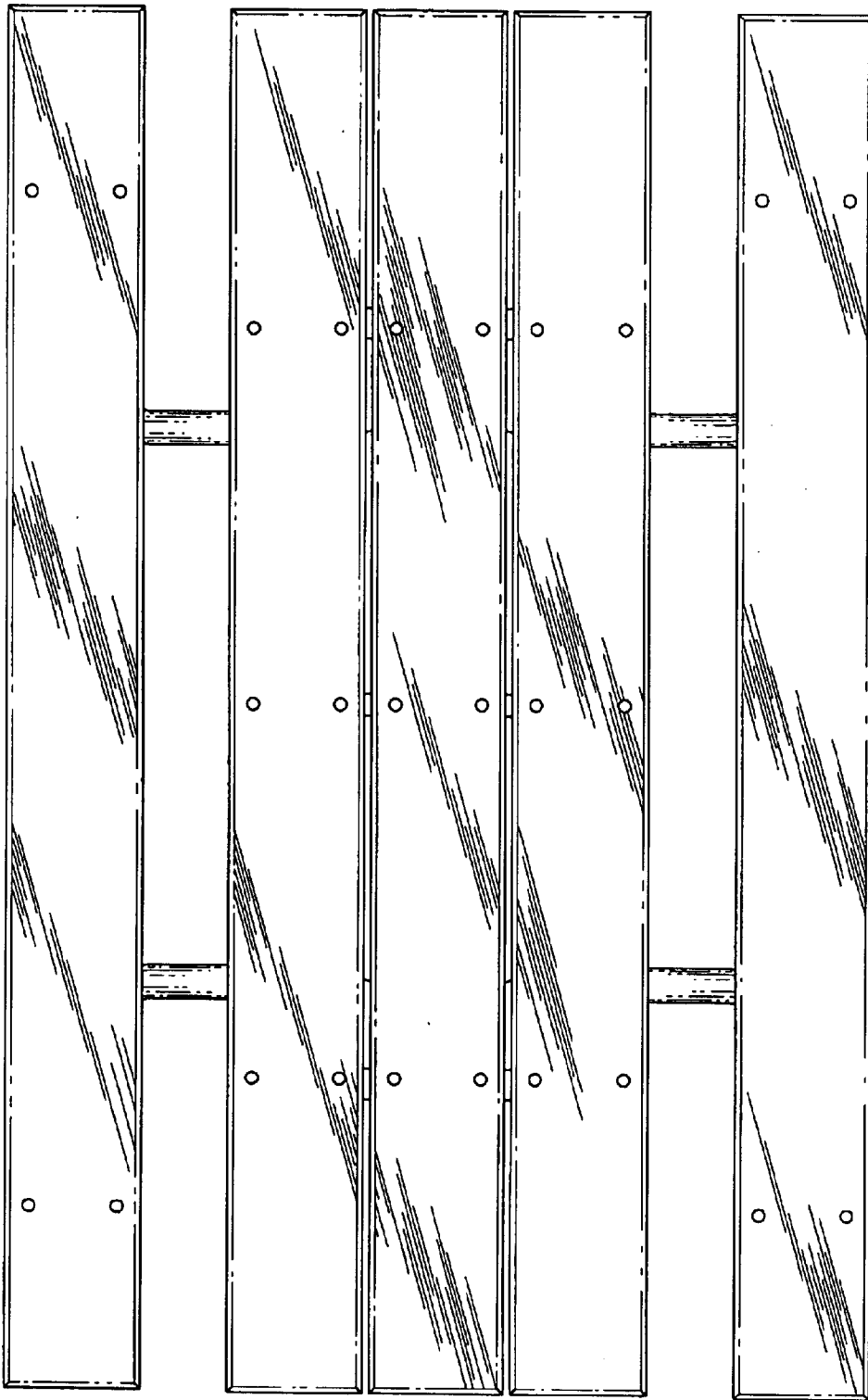


Fig. 4

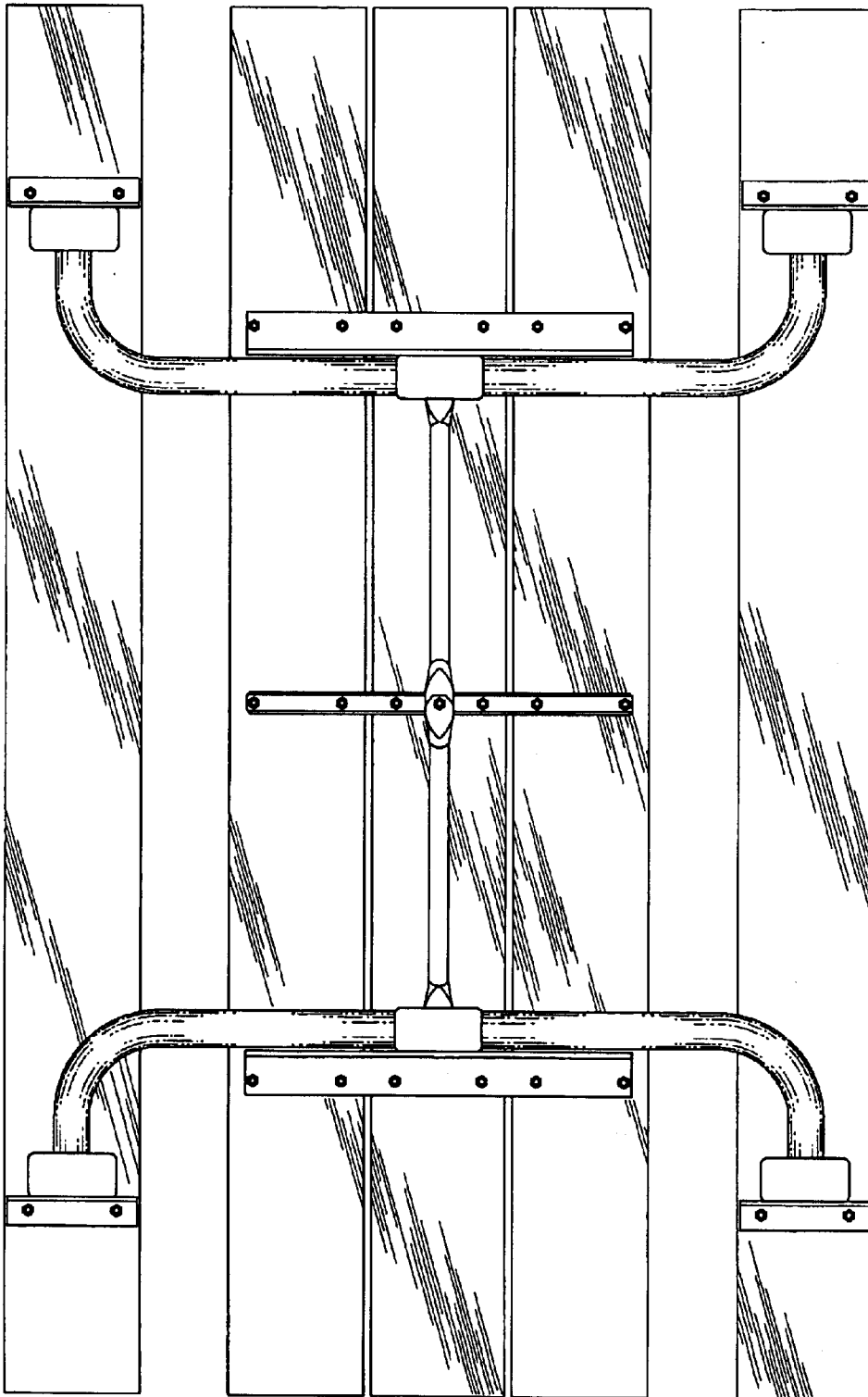


Fig. 5