



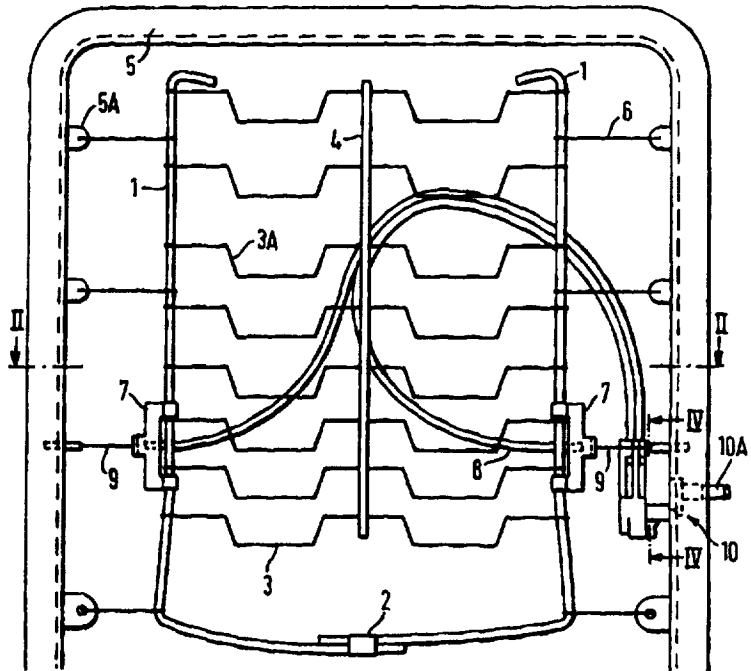
## INTERNATIONAL APPLICATION PUBLISHED UNDER THE PATENT COOPERATION TREATY (PCT)

<p>(51) International Patent Classification <sup>6</sup> : B60N 2/44, A47C 7/46</p>	<p>A1</p>	<p>(11) International Publication Number: <b>WO 98/07590</b> (43) International Publication Date: 26 February 1998 (26.02.98)</p>
<p>(21) International Application Number: PCT/EP97/04580 (22) International Filing Date: 20 August 1997 (20.08.97) (30) Priority Data: 9617672.2 23 August 1996 (23.08.96) GB (71) Applicant (for all designated States except US): YOUNGFLEX A.G. [CH/CH]; Markus Schnurrenberger, Baarerstrasse 8, CH-6300 Zug (CH). (72) Inventor; and (75) Inventor/Applicant (for US only): DECEUNINCK, Stefaan [BE/BE]; Pullmaflex Benelux N.V., Airport Kortrijk - Wevelgem, Kortrijkstraat 343, B-8560 Wevelgem (BE). (74) Agent: BUBB, A., J., A.; Gee &amp; Co., Chancery House, Chancery Lane, London WC2A 1QU (GB).</p>		<p>(81) Designated States: AU, CA, DE (Utility model), ES (Utility model), JP, KR, US, European patent (AT, BE, CH, DE, DK, ES, FI, FR, GB, GR, IE, IT, LU, MC, NL, PT, SE).</p> <p><b>Published</b> With international search report. Before the expiration of the time limit for amending the claims and to be republished in the event of the receipt of amendments.</p>

(54) Title: IMPROVED SEAT SUSPENSION ARRANGEMENT AND ADJUSTMENT MECHANISM THEREFOR

## (57) Abstract

A seat arrangement comprises a platform element in the form of a wire grid comprising side rails (1) between which extend a plurality of supporting wires (3) having angled portions (3A) such that the platform element is transversely extensible under load. The side rails (1) are linked to a seat frame (5) by wire links (6) that are subject to only limited extension so that the rails (1) are held thereby against substantial displacement from the plane of the frame (5). The rails (1) are also linked to the frame (5) by way of Bowden cables (9) that are anchored to the frame forwardly of the side rails (1) and that can be contracted to draw forwards portions of the side rails (1) between adjacent wire links (6), thus varying the contour of the platform element to provide adjustable lumbar support.



**FOR THE PURPOSES OF INFORMATION ONLY**

Codes used to identify States party to the PCT on the front pages of pamphlets publishing international applications under the PCT.

AL	Albania	ES	Spain	LS	Lesotho	SI	Slovenia
AM	Armenia	FI	Finland	LT	Lithuania	SK	Slovakia
AT	Austria	FR	France	LU	Luxembourg	SN	Senegal
AU	Australia	GA	Gabon	LV	Latvia	SZ	Swaziland
AZ	Azerbaijan	GB	United Kingdom	MC	Monaco	TD	Chad
BA	Bosnia and Herzegovina	GE	Georgia	MD	Republic of Moldova	TG	Togo
BB	Barbados	GH	Ghana	MG	Madagascar	TJ	Tajikistan
BE	Belgium	GN	Guinea	MK	The former Yugoslav Republic of Macedonia	TM	Turkmenistan
BF	Burkina Faso	GR	Greece			TR	Turkey
BG	Bulgaria	HU	Hungary	ML	Mali	TT	Trinidad and Tobago
BJ	Benin	IE	Ireland	MN	Mongolia	UA	Ukraine
BR	Brazil	IL	Israel	MR	Mauritania	UG	Uganda
BY	Belarus	IS	Iceland	MW	Malawi	US	United States of America
CA	Canada	IT	Italy	MX	Mexico	UZ	Uzbekistan
CF	Central African Republic	JP	Japan	NE	Niger	VN	Viet Nam
CG	Congo	KE	Kenya	NL	Netherlands	YU	Yugoslavia
CH	Switzerland	KG	Kyrgyzstan	NO	Norway	ZW	Zimbabwe
CI	Côte d'Ivoire	KP	Democratic People's Republic of Korea	NZ	New Zealand		
CM	Cameroon			PL	Poland		
CN	China	KR	Republic of Korea	PT	Portugal		
CU	Cuba	KZ	Kazakstan	RO	Romania		
CZ	Czech Republic	LC	Saint Lucia	RU	Russian Federation		
DE	Germany	LI	Liechtenstein	SD	Sudan		
DK	Denmark	LK	Sri Lanka	SE	Sweden		
EE	Estonia	LR	Liberia	SG	Singapore		

IMPROVED SEAT SUSPENSION ARRANGEMENT  
AND ADJUSTMENT MECHANISM THEREFOR

This invention concerns an improved seat suspension arrangement of the kind enabling the contour of the support provided by a seat to be adjusted by the user. The arrangement is particularly intended for use in the backrest of a vehicle seat of the kind providing adjustable lumbar support, but it will be appreciated that the principle may be applied to any other arrangement wherein the contour of a seat cushion is desired to be adjusted, for example to a seat base having means for providing adjustable thigh support.

A seat arrangement in accordance with the invention comprises a seat frame and a platform element adapted to provide support for upholstery of the seat, the platform element being linked to the seat frame by link means extending between the frame and at least one margin of the platform element, the said platform element being so constructed that it is resiliently extensible in a direction towards said margin of said seat frame, means being provided for adjusting the effective length of said link means, the arrangement being such that with the link means in an extended condition at least one portion of the platform element is recessed relatively to a boundary of the seat frame forming an attachment for the link means, and said adjustable link means being supplemented by further non-adjustable link means for retaining the position of the margin of said platform element relatively to the seat frame whereby upon contraction of the adjustable link means said portion of the platform element is displaced towards said boundary in order to vary the contour of the said platform element.

Further preferred features and advantages of the invention will become apparent from the following description taken in conjunction with the accompanying drawings and any appended claims.

**CONFIRMATION COPY**

- 2 -

The invention is illustrated by way of example in the accompanying drawings, in which;

Fig.1 is a front view of a suspension platform for a seat back of a vehicle, shown in place in a vehicle seat frame indicated diagrammatically, together with an associated adjusting arrangement,

Fig.2 is a sectional plan view taken on the line II-II of Fig.1, showing the platform element in one stage of adjustment,

Fig.3 is a view similar to that of Fig.2 showing the platform element in another state of adjustment,

Fig.4 is a sectional view on the line IV-IV of Fig.1 showing the internal arrangement of the adjustment mechanism in the position shown in Fig.2,

Fig.5 is a view similar to that of Fig.4 but showing the adjustment mechanism in the position corresponding to that of Fig.3 of the drawings,

Fig.6 is an exploded view showing individual components of the adjusting mechanism of Fig.4 and 5, and

Figs.7 to 11 are detailed views of individual components of the assembly shown in Fig.6.

Referring to Fig.1, a platform element for supporting the upholstery of a vehicle seat back comprises a pair of side rails 1 formed in known manner of paper wrapped or plastic coated steel wire, the side rails being angled at their lower ends and interconnected by means of a clip 2 to form a U-shaped outer boundary of the platform element.

- 3 -

Between the side rails 1 are provided a plurality of transverse supporting wires 3 that are angled at 3A so that they form sinuous wire springs allowing for limited transverse stretching of the platform element. The longitudinal pitch of the transverse supporting wires 3 is varied in accordance with the desired support to be provided by the platform element, in generally known manner, and the transverse supporting wires 3 are interconnected at their mid points by means of a central longitudinal cord 4 penetrated by the wires 3.

A seat frame is indicated diagrammatically at 5 and the platform element is suspended in the seat frame by means of wire links 6 tensioned between the side rails 1 and the seat frame 5. The wire links 6 are also angled to allow limited resilient extension thereof, as shown in Fig.1A which is a detailed plan view of a link 6 of Fig.1.

The transverse supporting wires 3 are anchored to the side rails 1 by being wound around the latter in such a manner that they compress the paper or plastic covering of the side rails and are thereby retained in their longitudinal spacing. Such an arrangement will be well known to one skilled in the art.

In the region of the platform element that is intended to provide lumbar support for the occupant of the seat, there are attached to the side rails 1 sheet metal brackets 7 that engage around the side rails 1 and also provide an anchorage for the outer sheaths 8 of a pair of Bowden cables coupled to a manually actuatable adjusting mechanism indicated generally at 10 and to be described in more detail below.

The Bowden cables 9 extend from the outer sheaths 8 and pass through the brackets 7, the ends of the cables being linked to the seat frame 5 by anchor portions 11.

The seat frame 5 is of channel section as shown more clearly in Fig.2, and, whereas the links 6 extend in the plane of the

- 4 -

platform element and are coupled to tabs 5A at the rear of the frame 5, the anchor portions 11 are coupled to the front of the frame 5 so that, when the adjusting mechanism 10 is in one end position of adjustment, the position of the platform element relatively to the seat frame, in the region that is linked to the Bowden cables 9, is substantially as shown in Fig.2, in which the support provided by the platform element extends in a configuration that is generally concave relatively to the margins of the seat frame 5.

In this position, the portions of the Bowden cables 9 extending between the seat frame 5 and the brackets 7 act effectively as wire links determining the positions of the adjacent portions of the side rails 1 relatively to the seat frame 5. Thus, by actuating the adjustment mechanism 10, for example by means of a manually actuatable lever connected to the end of rotary shaft 10A, the Bowden cables can be retracted relatively to the brackets 7, thus shortening the links coupling the side rails 1 to the frame 5 at this point.

As a result, the platform element can be tensioned forwardly until the portions of the side rails 1 adjacent the brackets 7 adopt a position relatively to the frame 5 that is shown in Fig.3. It will be appreciated that since the wire links 6 are subject only to limited extension, in comparison for example to coil springs, tensioning of the Bowden cables caused change in the contour of the platform element rather than displacement thereof as a whole.

Thus, the degree of lumbar support provided by the platform element can be increased by actuation of the mechanism 10.

This arrangement has the considerable advantage in comparison with known means for providing adjustable lumbar support, that the overall position of the platform element is not displaced relatively to the seat frame. In known arrangements, wherein the profile of the platform element is varied to provide lumbar

adjustment, the disadvantage can arise that when the platform element is angled to increase lumbar support the suspension means yield to allow the platform element to move rearwardly thus reducing the effectiveness of the lumbar adjustment.

Figs.2 and 3 show the two extreme positions of the lumbar adjustment provided in the embodiment described, and it will be appreciated that in contracting the Bowden cables 9 in order to achieve movement of the adjacent portions of the side rails 1 from the position of Fig.2 to the position of Fig.3, the tension in the Bowden cables progressively increases, so that the force that must be exerted by the adjusting mechanism varies accordingly. This effect has also been found to occur in other forms of seat adjustment that have hitherto been effected by means of Bowden cables, and thus there is a requirement for a novel Bowden cable actuating mechanism that can accommodate the varying force to be exerted thereon. An actuating mechanism that achieves this object will now be described.

Referring to Figs.4 and 5, the mechanism 10 is provided with an outer housing 15 incorporating recesses 15A for the receipt of the sheaths 8 of the Bowden cables 9. The aforementioned shaft 10A extends within a recess 16 in the housing 15 and carries a cam element 17 that can be turned by means of the shaft 10A and has at an extremity thereof anchor points 18 for receiving terminal portions 19 provided at the ends of the Bowden cables 9.

Fig.4 shows the position of the cam element 17 when the arrangement is in the position of adjustment shown in Fig.2, and a shoulder 17A of the cam element is in abutment with an end stop provided by a web portion 20 of the housing 15.

In order to adjust the system from the position of Fig.2 towards the position of Fig.3, the shaft 10A is turned in an anticlockwise direction as viewed in Fig.4. Initially, the end of the Bowden cable 9 tensioned by the cam element 17 is at a

- 6 -

maximum radius from the central axis of the shaft 10A, and thus rotation of the shaft produces the maximum effective longitudinal movement of the cable 9 with a relatively low mechanical advantage. As the shaft 10A turns clockwise, however, it will be seen that the cable 9 is wound onto the surface 17B of the cam 17 so that the radial distance of the cable 9 from the axis of the shaft 10A progressively reduces with the anticlockwise movement of the cam element 17 until, in the end position shown in Fig.5, the radial distance of the cable 9 from the centre of the shaft 10A is at a minimum, and the mechanical transmission between the shaft 10A and the cable 9 reduces the maximum mechanical advantage to facilitate tensioning of the cable by the manual actuating mechanism.

The components of the actuating mechanism 10 are shown in more detail in the exploded view of the Fig.6, wherein there are shown the housing 15, the cam element 17, the shaft 10A, a connecting peg 21, a helical spring 22, a clutch housing 23 and an end cover 24.

The housing 15 is shown in more detail in Fig.7, wherein Fig.7A shows a view of the housing similar to that of Figs.4 and 5, Fig.7B shows a side view from the direction of the arrow B of Fig.7, and Fig.7C shows a side view from the direction of the arrow C of Fig.7A. As seen from Fig.7B, the side wall of the housing 15 has pair of radial slots 25 providing access to the internal recess 16, between which slots is defined the web 20 referred to above. As shown in Fig.7B and 7C, the recesses 15A for the cable sheaths 8 are connected via slots 26 to the slots 25, thus enabling insertion of the terminal portions 19 of the Bowden cables 9 via the slots 26 and 25 into the recess 16 containing the cam element 17.

The cam element 17 is shown in more detail in Fig.8, wherein Fig.8A is a view of the cam element from the direction seen in Fig.4 and 5, shown with the peg 21 in place therein, Fig 8B is a view in the direction of the arrow B of Fig.8A and Fig.8C is a view in the direction of the arrow C of Fig.8A.

- 7 -

As seen in Fig.8A, the cam element 17 has a bore 30, an aperture 31 of generally oval shape extending along an axis parallel to the bore 30, and a further bore 32 also extending on an axis parallel to the bore 30.

The peg 21 has a portion 33 fitting within the aperture 31 and a portion 34 that extends axially from the cam element 17 and has an arcuate shape as shown in Fig.8A.

The cam element 17 has a pair of radial slots 35 and a pair of axially extending slots 36 for receiving the cables 9 attached to terminal portions 19 as the latter are inserted into the bore 32 via which they are anchored to the cam element 17.

The shaft 10A is shown in Fig.9, wherein Fig.9A is an axial plan view of the shaft and Fig.9B is an end view of the shaft taken in the direction of the arrow B of Fig.9.

The shaft 10A has a squared end 37 for receiving the actuating lever referred to above, a main cylindrical portion 38, a further cylindrical portion 39 of reduced diameter, to fit the bore 30 of the cam element 17, and a stub portion 40 of further reduced diameter, for engagement within a bore 41 (Fig.7A) of the housing 15. The cylindrical portion 38 carries a stepped shoulder 42 of part circular configuration as can be seen from Fig.9B. The shoulder 42 serves the dual purpose of embracing the axially extending portion 34 of the peg 21 by which movement is transmitted to the cam element 17, and supporting the helical spring 22 that is received in the clutch housing 23. The shoulder portion 42, the spring 22 and the clutch housing 23 cooperate to form a friction clutch retaining the cam element 17 in any set position, as will be described below.

As shown in Fig.10, the helical spring 22 has inturned ends 22A that engage within the arcuate recess defined by shoulder 42, the spring fitting loosely around the reduced diameter portion of the shoulder 42 and being retained axially by the portion of greater diameter.

- 8 -

The clutch housing 23 is shown in transverse section in Fig.11, wherein the part 23A comprises a base plate for assembly to the housing 15, the part 23B comprises a cylindrical shell for receiving the helical spring 22 as a friction fit therein, and the part 23C comprises a reduced diameter bush for receiving and supporting the cylindrical portion 38 of the shaft 10A.

With the actuating mechanism in the assembled condition, the spring 22 is a tight friction fit within the clutch housing 23, and the portion 34 of the peg 21 extends axially with a certain degree of lost motion within the arcuate recess of the shoulder 42 and between the ends 22A of the spring 22. Thus, with the spring 22 tightly engaged within the clutch housing 23, the two ends 22A of the spring form end stops limiting the movement of the peg 21 and thus the cam element 17. When it is desired to move the cam element 17 to another position, the shaft 10A is turned by means of the lever referred to above, and one of the two ends 22A of the spring 22 is thus engaged by a corresponding radial edge of the shoulder 42. The spring 22 thus becomes wound up upon itself, whereby its diameter is reduced sufficiently to enable it to be rotated within the clutch housing 22, that end 22A of the spring that is engaged between the shoulder 42 and the peg 21 serving to transmit rotary movement to the peg 21 and thus to the cam element 17. Upon release of the lever attached to the shaft 10A the spring 22 is allowed to relax and expand into tight frictional engagement with the clutch housing 23, thereby retaining the cam element 17 in its new position.

Thus it will be seen that the actuating mechanism 10, combines the functions of a simple and effective friction clutch and Bowden cable actuating mechanism the mechanical advantage of which is varied to compensate for changing forces occurring during adjustment of the lumbar support provided by the arrangement of Figs.1-3.

Claims

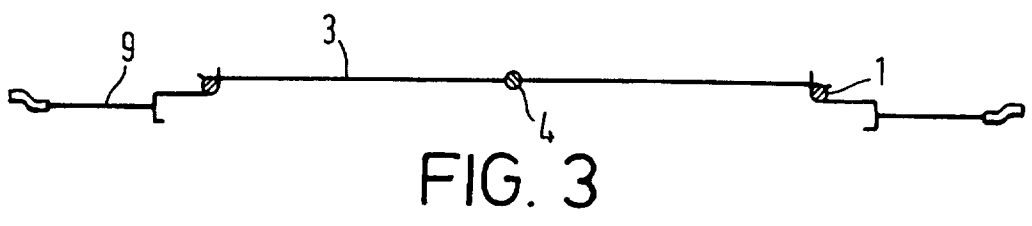
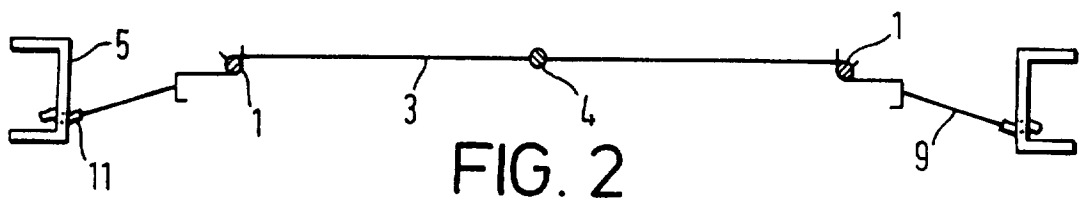
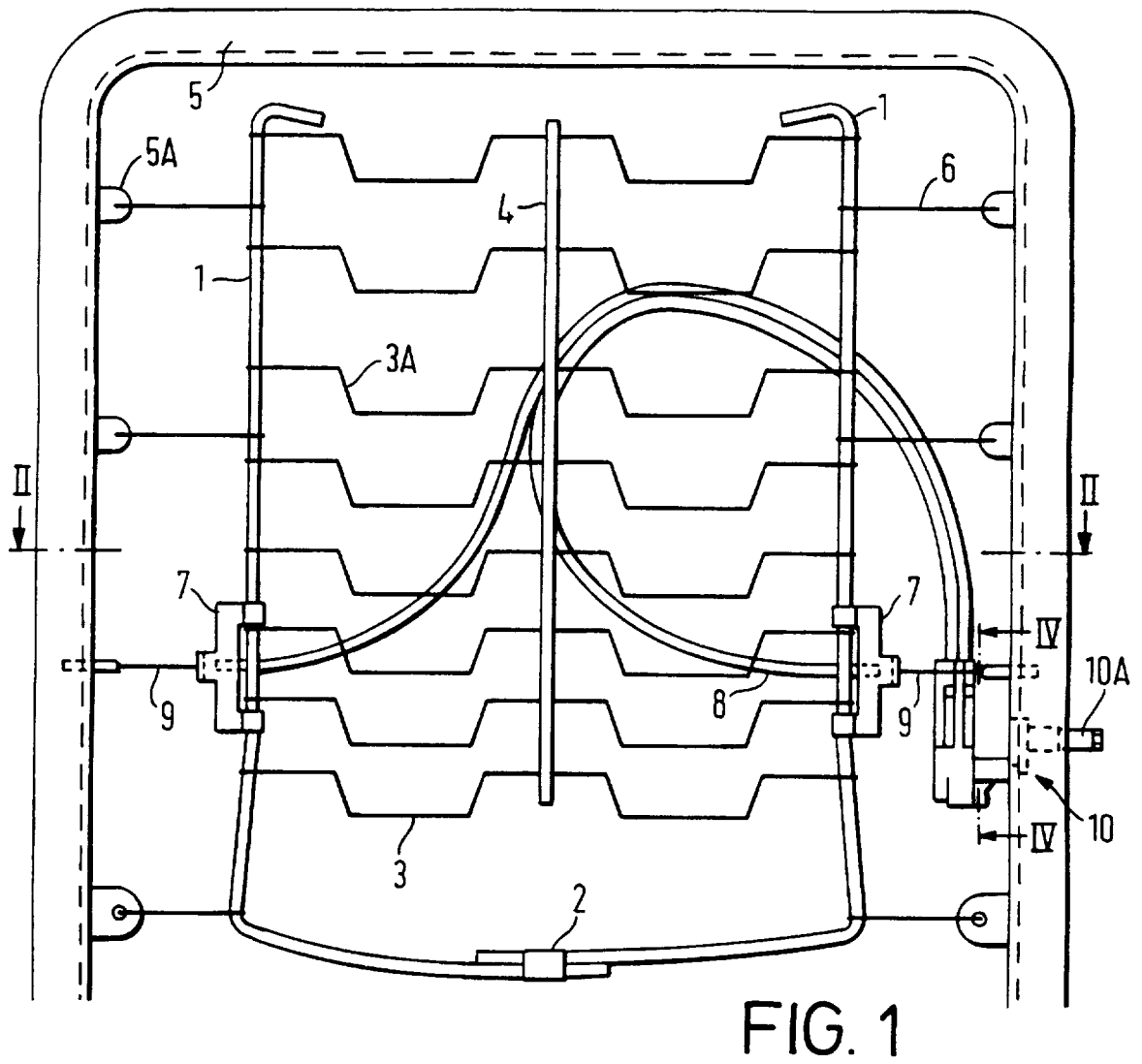
1. A seat suspension arrangement, comprising a seat frame and a platform element adapted to provide support for upholstery of the seat, the platform element being linked to the seat frame by link means extending between the frame and at least one margin of the platform element, the said platform element being so constructed that it is resiliently extensible in a direction towards said margin of said seat frame, means being provided for adjusting the effective length of said link means, the arrangement being such that with the link means in an extended condition at least one portion of the platform element is recessed relatively to a boundary of the seat frame forming an attachment for the link means, and said adjustable link means being supplemented by further non-adjustable link means for retaining the position of the margin of said platform element relatively to the seat frame whereby upon contraction of the adjustable link means said portion of the platform element is displaced towards said boundary in order to vary the contour of the said platform element.

2. An arrangement as claimed in claim 1, wherein said seat frame comprises a backrest portion, said platform element being supported from opposite sides of the backrest portion of the frame by link means extending between the frame and opposite margins of the platform element, said adjustable link means being provided in a region of the platform element providing lumbar support, whereby said variation in the contour of the platform element is such as to adjust the lumbar support provided thereby.

3. A seat suspension arrangement as claimed in claim 1 or 2, wherein the or each adjustable link means comprises a Bowden cable extending between the seat frame and an anchorage provided at a margin of the platform element, and said means for varying the effective length of the link means comprises an actuating mechanism for the Bowden cable.

- 10 -

4. A seat suspension arrangement as claimed in claim 3 wherein the platform element comprises a pair of side rails interconnected by a plurality of transverse supporting wires incorporating angled portions to allow said resilient extension of the platform element, and the said anchorage for the or each Bowden cable comprises a bracket linked to a said side rail and providing a ferrule for the outer sheath of the Bowden cable the inner core of which is connected to said seat frame.



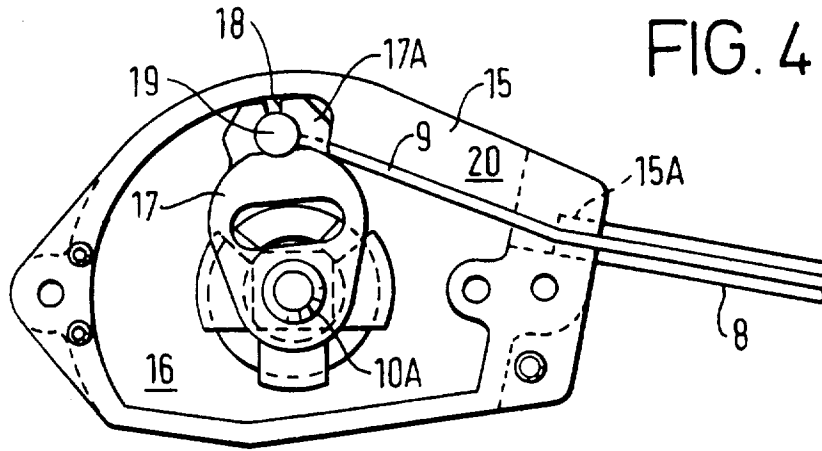


FIG. 4

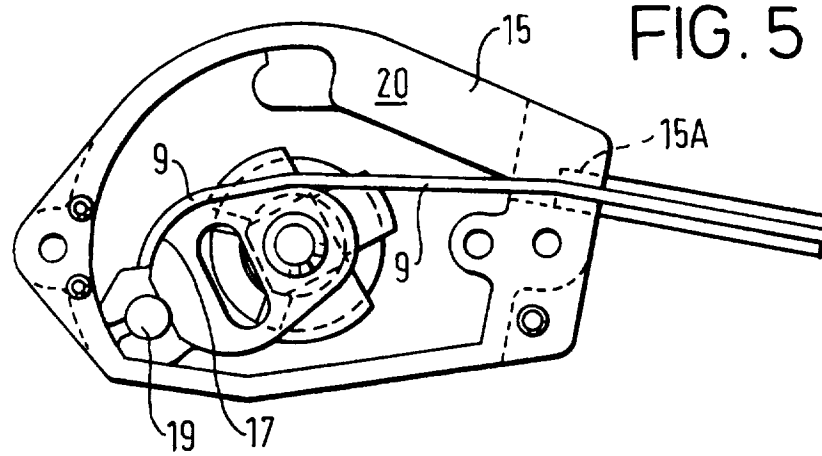


FIG. 5

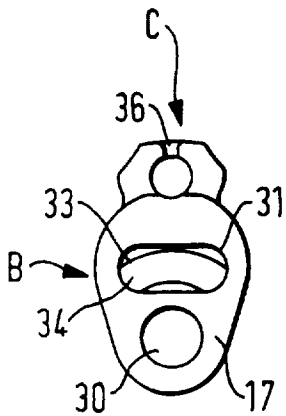


FIG. 8A

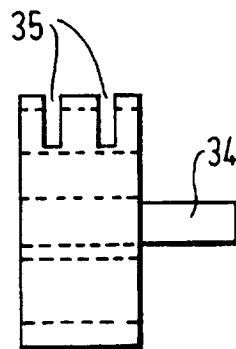


FIG. 8B

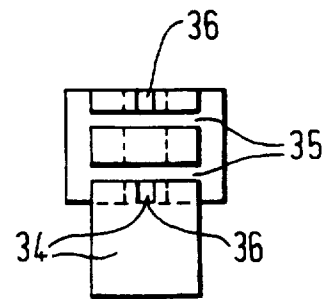


FIG. 8C

3/4

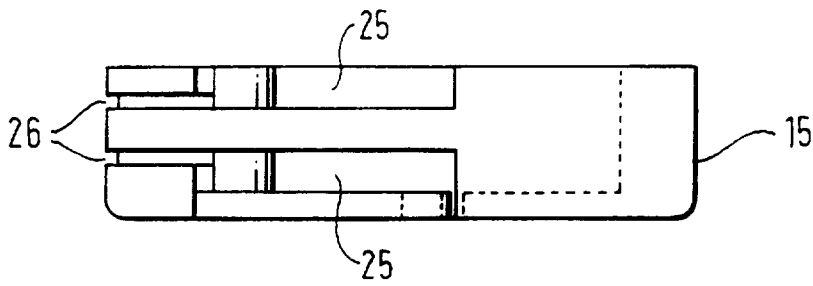


FIG. 7B

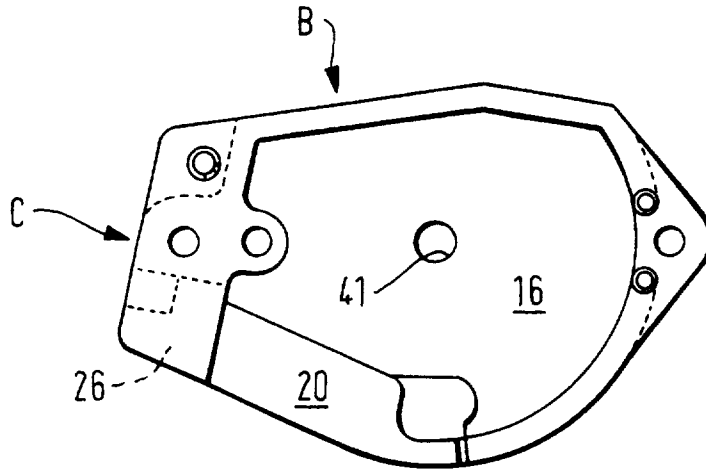


FIG. 7A

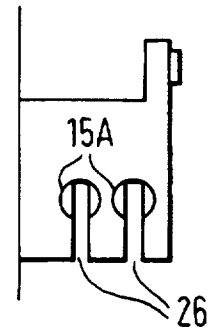


FIG. 7C

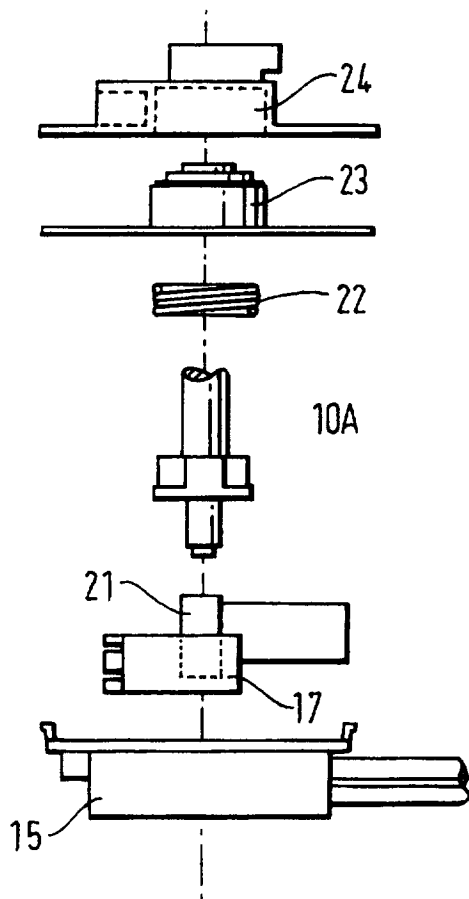


FIG. 6

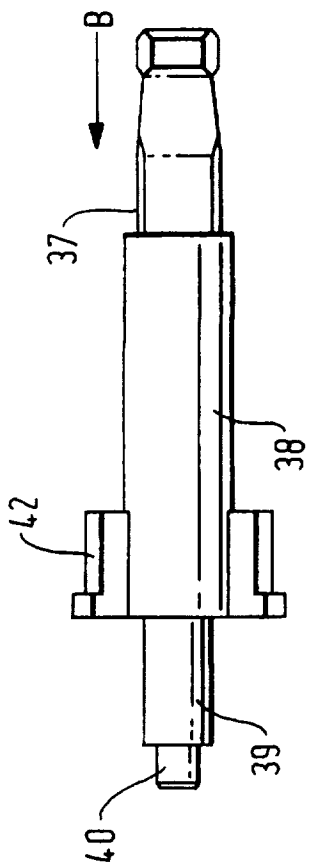


FIG. 9A

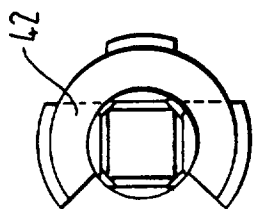


FIG. 9B

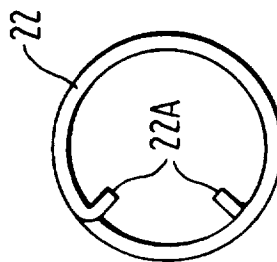


FIG. 10

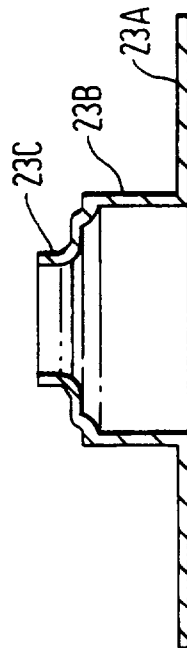


FIG. 11

# INTERNATIONAL SEARCH REPORT

Intern 1al Application No

PCT/EP 97/04580

**A. CLASSIFICATION OF SUBJECT MATTER**  
 IPC 6 B60N2/44 A47C7/46

According to International Patent Classification (IPC) or to both national classification and IPC

**B. FIELDS SEARCHED**

Minimum documentation searched (classification system followed by classification symbols)  
 IPC 6 B60N A47C

Documentation searched other than minimum documentation to the extent that such documents are included in the fields searched

Electronic data base consulted during the international search (name of data base and, where practical, search terms used)

**C. DOCUMENTS CONSIDERED TO BE RELEVANT**

Category °	Citation of document, with indication, where appropriate, of the relevant passages	Relevant to claim No.
X	EP 0 158 562 A (CYCLES PEUGEOT) 16 October 1985	1,2
A	see abstract; claims 1-3,9; figures 1-3,5,10	3,4
A	--- EP 0 016 557 A (UOP INC.) 1 October 1980 see abstract; claim 1; figures 1-4	1-4
A	--- FR 2 596 334 A (REGIE NATIONALE DES USINES RENAULT) 2 October 1987 see claims 1,2; figures 1,2	1-4
A	--- EP 0 552 904 A (YOUNGFLEX S.A.) 28 July 1993 see abstract; figures 1,5 -----	1-4

Further documents are listed in the continuation of box C.

Patent family members are listed in annex.

° Special categories of cited documents :

- \*A\* document defining the general state of the art which is not considered to be of particular relevance
- \*E\* earlier document but published on or after the international filing date
- \*L\* document which may throw doubts on priority claim(s) or which is cited to establish the publication date of another citation or other special reason (as specified)
- \*O\* document referring to an oral disclosure, use, exhibition or other means
- \*P\* document published prior to the international filing date but later than the priority date claimed

- \*T\* later document published after the international filing date or priority date and not in conflict with the application but cited to understand the principle or theory underlying the invention
- \*X\* document of particular relevance; the claimed invention cannot be considered novel or cannot be considered to involve an inventive step when the document is taken alone
- \*Y\* document of particular relevance; the claimed invention cannot be considered to involve an inventive step when the document is combined with one or more other such documents, such combination being obvious to a person skilled in the art.
- \*Z\* document member of the same patent family

Date of the actual completion of the international search

16 December 1997

Date of mailing of the international search report

23.01.98

Name and mailing address of the ISA

European Patent Office, P.B. 5818 Patentlaan 2  
 NL - 2280 HV Rijswijk  
 Tel. (+31-70) 340-2040, Tx. 31 651 epo nl,  
 Fax: (+31-70) 340-3016

Authorized officer

Cuny, J-M

# INTERNATIONAL SEARCH REPORT

information on patent family members

International Application No

PCT/EP 97/04580

Patent document cited in search report	Publication date	Patent family member(s)	Publication date
EP 158562 A	16-10-85	FR 2562002 A	04-10-85
		DE 3561574 A	17-03-88
		JP 60215324 A	28-10-85
		US 4588172 A	13-05-86
-----			
EP 16557 A	01-10-80	AU 5663880 A	25-09-80
		BE 882364 A	22-09-80
		BR 8001593 A	18-11-80
		CA 1130480 A	24-08-82
		FR 2451728 A	17-10-80
		GB 2045076 A,B	29-10-80
		JP 55130615 A	09-10-80
		US 4309058 A	05-01-82
-----			
FR 2596334 A	02-10-87	NONE	
-----			
EP 552904 A	28-07-93	AT 135542 T	15-04-96
		AU 661100 B	13-07-95
		AU 3359993 A	03-08-93
		CA 2106383 A	21-07-93
		DE 69301837 D	25-04-96
		DE 69301837 T	20-02-97
		ES 2086876 T	01-07-96
		WO 9313696 A	22-07-93
		JP 6508053 T	14-09-94
		US 5449219 A	12-09-95
ZA 9300381 A	23-08-93		
-----			