

[54] **DOG COMFORT STATION**

3,921,582 11/1975 Sedmeir D30/161

[76] **Inventor: Robert S. Gold, 275 Firestone Dr.,
Roseville, Calif. 95678**

*Primary Examiner—Louis S. Zarfes
Assistant Examiner—W. Krawczewicz
Attorney, Agent, or Firm—Lothrop & West*

[**] **Term: 14 Years**

[57] **CLAIM**

[21] **Appl. No.: 222,645**

The ornamental design for a dog comfort station, as shown and described.

[22] **Filed: Jul. 21, 1988**

[52] **U.S. Cl. D30/161**

[58] **Field of Search** D30/99, 158, 160, 161,
D30/199, 108-120; D9/414, 425, 431, 432;
119/1, 17, 19, 29, 29.5, 158; 206/518; 229/124;
232/26, 30; 366/1

DESCRIPTION

FIG. 1 is a perspective view of a dog comfort station, showing my new design;

FIG. 2 is a front elevational view;

FIG. 3 is a left side elevational view;

FIG. 4 is a right side elevational view;

FIG. 5 is a rear elevational view;

FIG. 6 is a top plan view;

FIG. 7 is a bottom plan view; and

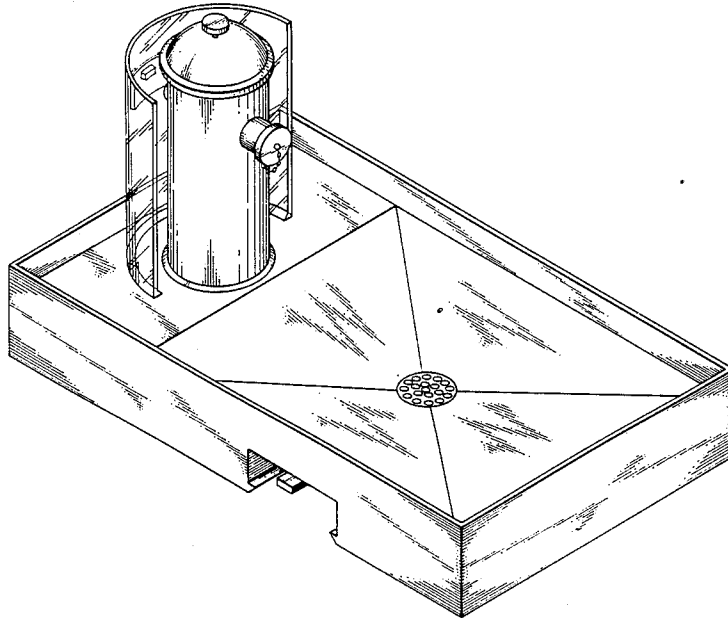
FIG. 8 is a rear elevational view.

The broken lines in FIG. 8 merely illustrate the environment and form no part of the design.

[56] **References Cited**

U.S. PATENT DOCUMENTS

D. 249,233	8/1978	Florian	D9/425
2,230,861	2/1941	Buehler	119/1
2,390,854	12/1945	Thompson	119/1
3,890,931	6/1975	Saver	119/1



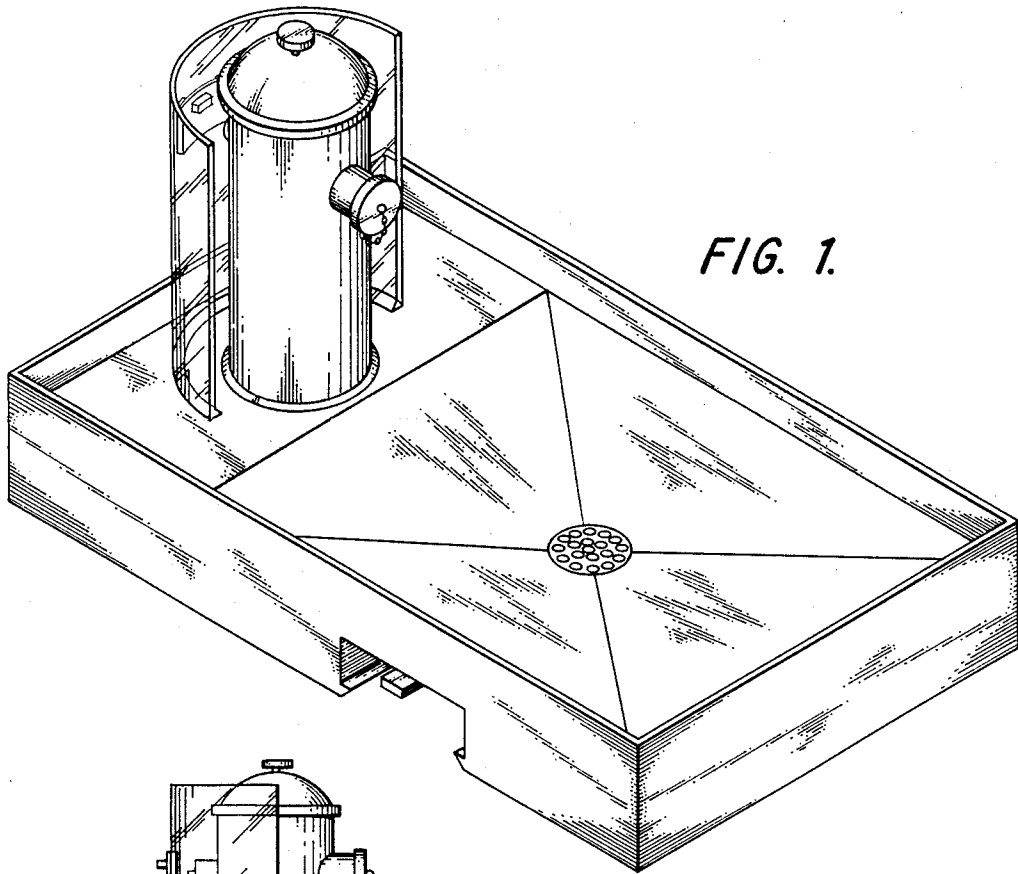


FIG. 1.

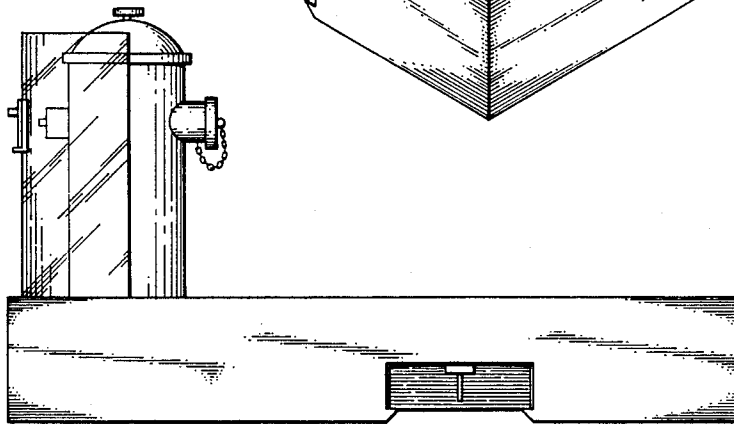


FIG. 2.

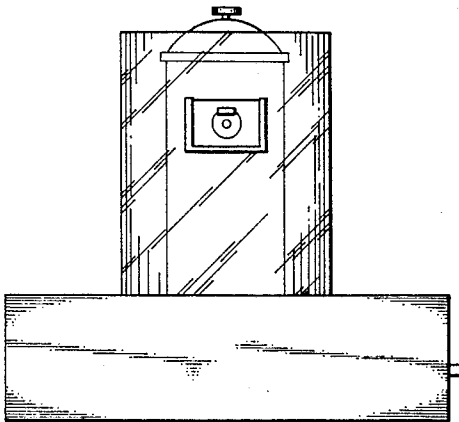


FIG. 3.

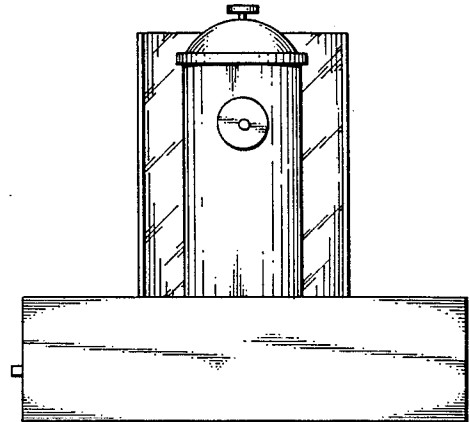


FIG. 4.

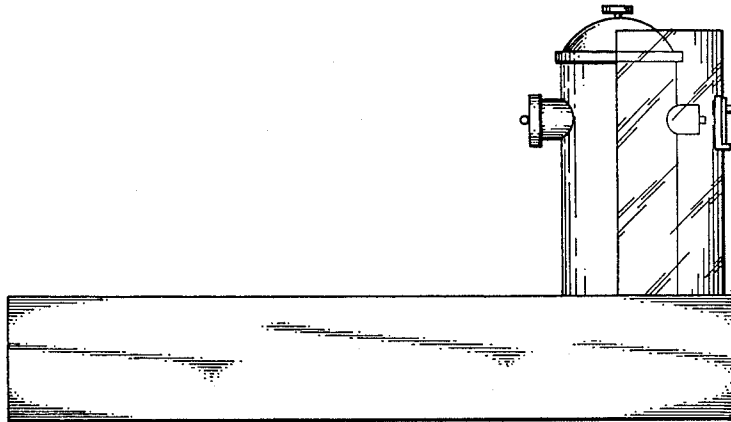


FIG. 5.

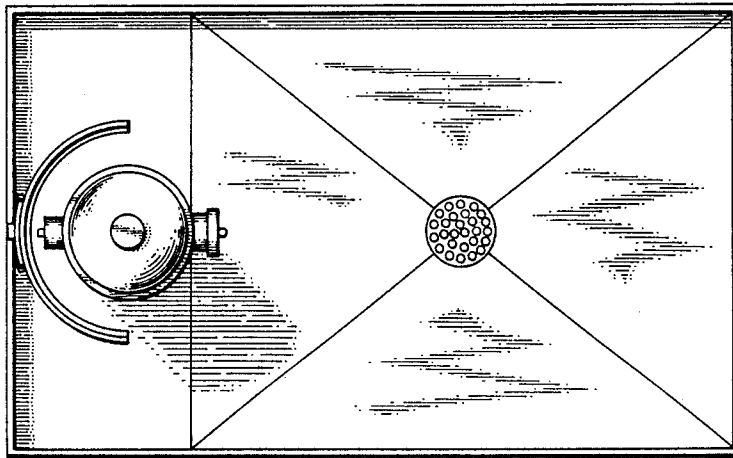


FIG. 6.

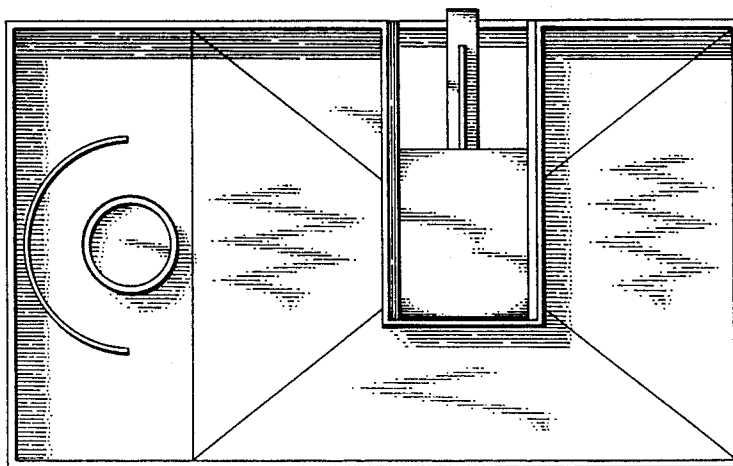


FIG. 7.

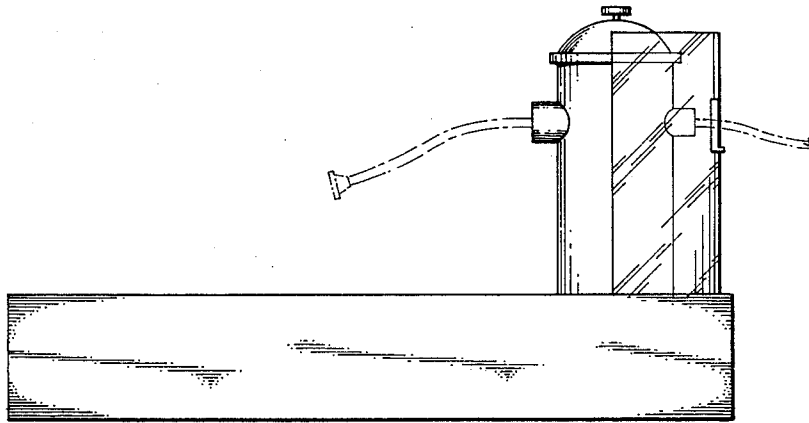


FIG. 8.