



US00D709476S

(12) **United States Design Patent**
Park et al.

(10) **Patent No.:** **US D709,476 S**

(45) **Date of Patent:** **** Jul. 22, 2014**

- (54) **MOBILE PHONE**
- (71) Applicant: **LG Electronics Inc.**, Seoul (KR)
- (72) Inventors: **Sang Min Park**, Seoul (KR); **Seung Hoon Ryu**, Seoul (KR); **Jong Hak Lee**, Seoul (KR)
- (73) Assignee: **LG Electronics Inc.**, Seoul (KR)
- (**) Term: **14 Years**
- (21) Appl. No.: **29/462,922**
- (22) Filed: **Aug. 9, 2013**

(30) **Foreign Application Priority Data**

Mar. 29, 2013 (KR) 30-2013-0016268

(51) **LOC (10) Cl.** **14-03**

(52) **U.S. Cl.**

USPC **D14/138 R**; D14/144; D10/32

(58) **Field of Classification Search**

USPC D14/138 G, 138 AD, 341, 346, 138 R,
 D14/138 AA, 138 AB, 496, 203.1, 203.3,
 D14/203.4, 203.7, 248, 218, 144;
 455/575.1, 556.1, 556.2, 575.3, 575.4;
 D21/517, 333, 331; 379/433.01,
 379/433.04; D10/65, 78, 104.1, 31, 32, 38,
 D10/39; D13/168; 361/679.3, 679.56;
 D11/3, 4, 5, 12, 19, 25; 368/13, 10

See application file for complete search history.

(56) **References Cited**

U.S. PATENT DOCUMENTS

D301,840 S * 6/1989 Houlihan D10/30
 D302,391 S * 7/1989 Houlihan D10/32
 D319,590 S * 9/1991 Houlihan D10/31
 5,239,521 A * 8/1993 Blonder 368/10

D358,553 S * 5/1995 Murakami et al. D10/31
 D358,997 S * 6/1995 Yamamoto D10/31
 D365,550 S * 12/1995 Houlihan D14/344
 5,781,511 A * 7/1998 Yasukawa et al. 368/11
 5,819,183 A * 10/1998 Voroba et al. 455/570
 6,249,487 B1 * 6/2001 Yano et al. 368/47
 D454,551 S * 3/2002 Bonadei et al. D14/138 R
 6,459,890 B1 * 10/2002 Kim 455/351
 6,549,791 B1 * 4/2003 Jeon et al. 455/572
 D494,557 S * 8/2004 Lowinger D14/138 R
 D496,590 S * 9/2004 Chung et al. D10/31
 D501,836 S * 2/2005 Lowinger D14/138 R
 D515,945 S * 2/2006 Goto et al. D10/32
 D535,205 S * 1/2007 Frederick et al. D10/104.1

(Continued)

OTHER PUBLICATIONS

LG GD910 telephone, announced Jan. 2009, [online], [site visited Feb. 18, 2014]. Available from Internet, <URL: http://www.gsmarena.com/lg_gd910-2644.php>.*

(Continued)

Primary Examiner — Jeffrey D Asch

(74) *Attorney, Agent, or Firm* — Birch, Stewart, Kolasch & Birch, LLP

(57)

CLAIM

We claim the ornamental design for a mobile phone, as shown and described.

DESCRIPTION

FIG. 1 is a perspective view of a mobile phone showing the new design:

FIG. 2 is a front elevation view thereof;

FIG. 3 is a rear elevation view thereof;

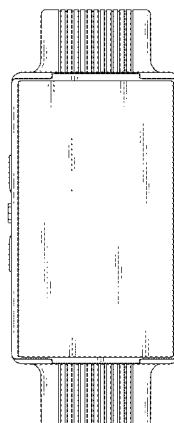
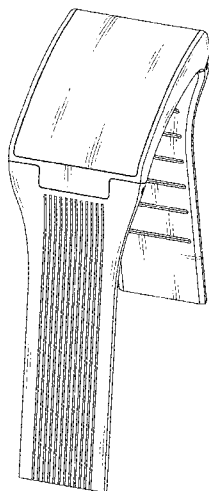
FIG. 4 is a left-side elevation view thereof;

FIG. 5 is a right-side elevation view thereof;

FIG. 6 is a top plan view thereof; and,

FIG. 7 is a bottom plan view thereof.

1 Claim, 5 Drawing Sheets



(56)

References Cited

U.S. PATENT DOCUMENTS

D571,249 S * 6/2008 Frederick et al. D11/4
D596,610 S * 7/2009 Hou D14/144
8,380,258 B2 * 2/2013 Kim et al. 455/575.1
8,634,886 B1 * 1/2014 Samuels et al. 455/575.6
2002/0105859 A1 * 8/2002 Davidson et al. 368/13
2007/0270199 A1 * 11/2007 Kim et al. 455/575.6
2009/0143117 A1 * 6/2009 Shin et al. 455/575.6
2010/0112964 A1 * 5/2010 Yi et al. 455/90.3
2013/0273984 A1 * 10/2013 Filippov 455/575.6

OTHER PUBLICATIONS

Samsung S9110 telephone, announced Jul. 2009, [online], [site visited Feb. 18, 2014]. Available from Internet, <URL: http://www.gsmarena.com/samsung_s9110-2885.php>.*
Samsung Gear—Your Smartphone on your Wrist, by Jalal Hameed, © 2011, www.siliconbuzzard.com, 4pp pp. 1-3 & 9 of 9, [online], [site visited Feb. 24, 2014]. Available from Internet, <URL: <http://www.siliconbuzzard.com/2013/11/samsung-gear-your-smartphone-on-your.html>>.*

* cited by examiner

FIG. 1

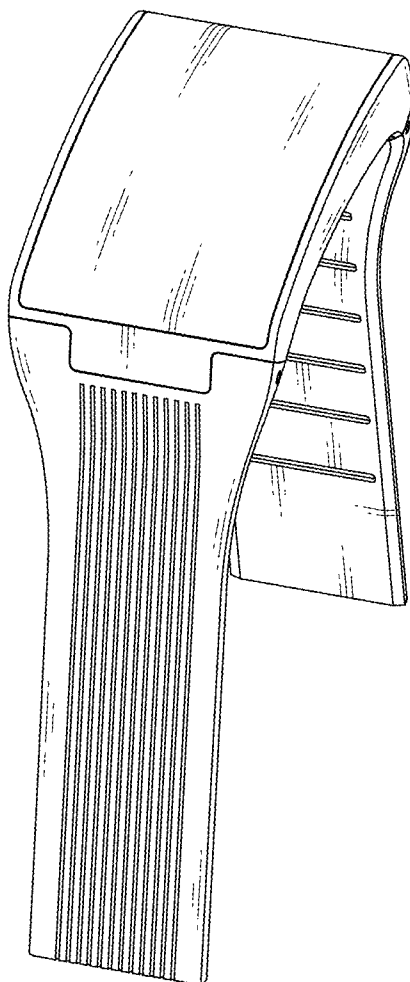


FIG.2

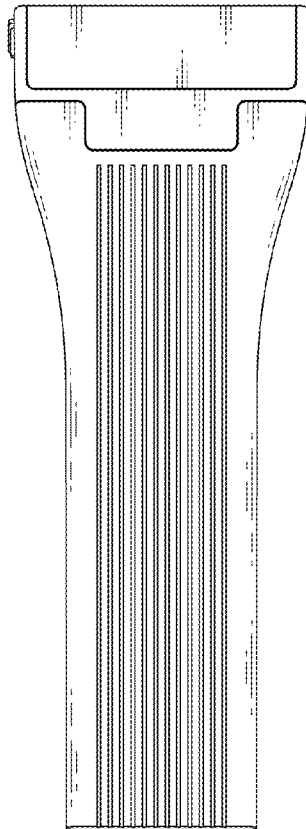


FIG.3

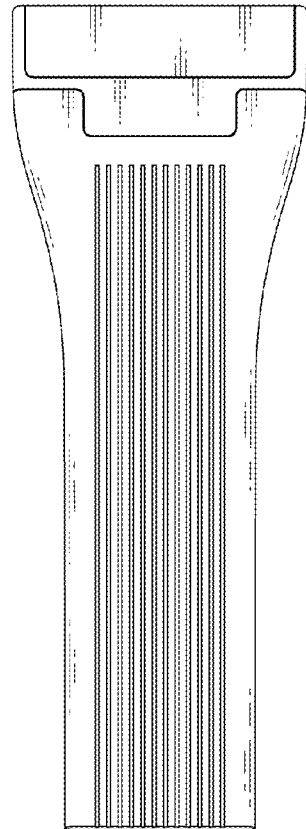


FIG. 4

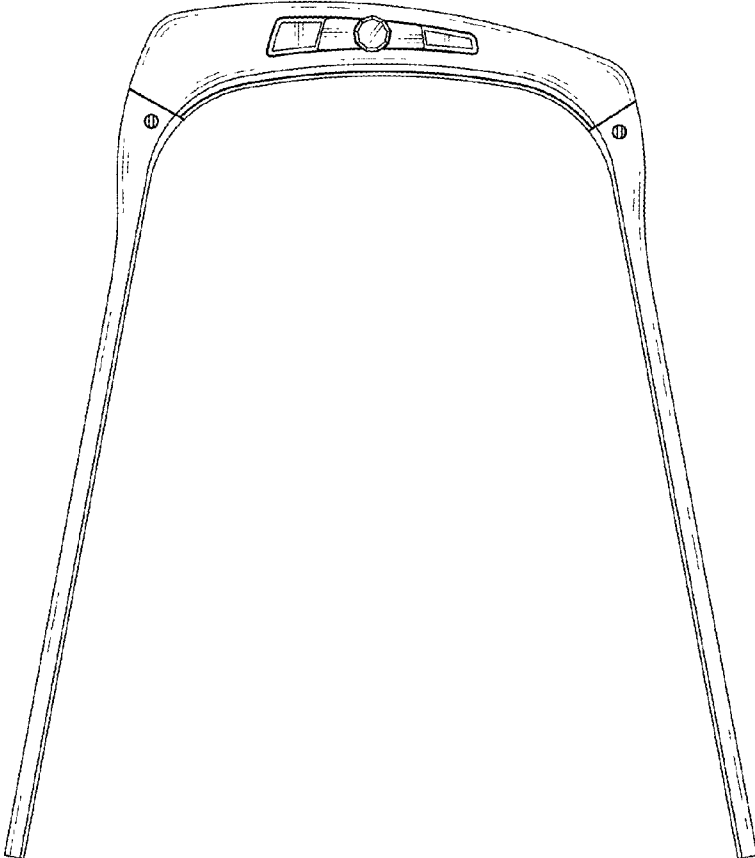


FIG. 5

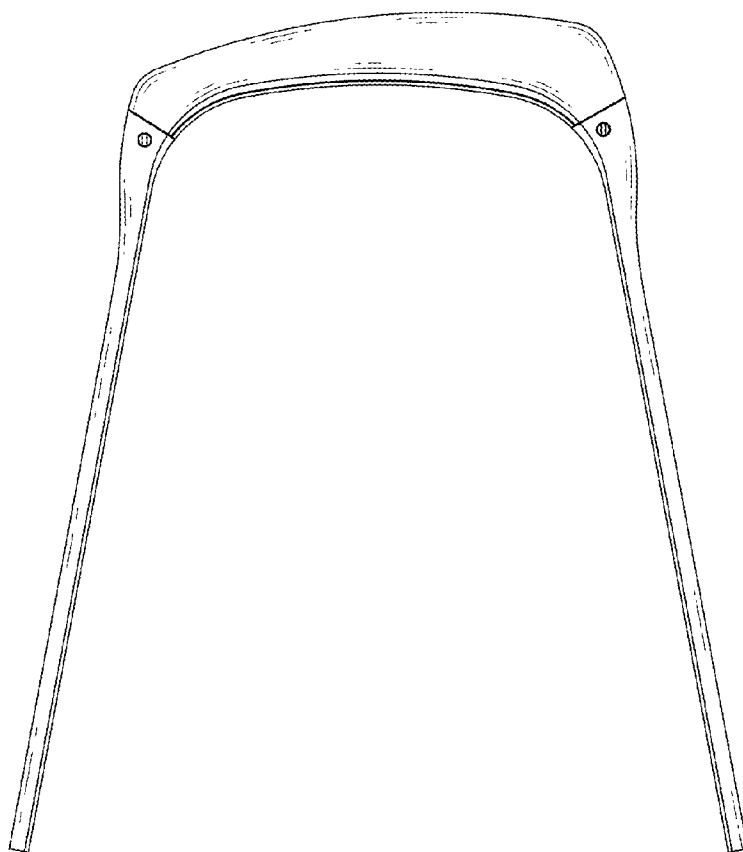


FIG.6

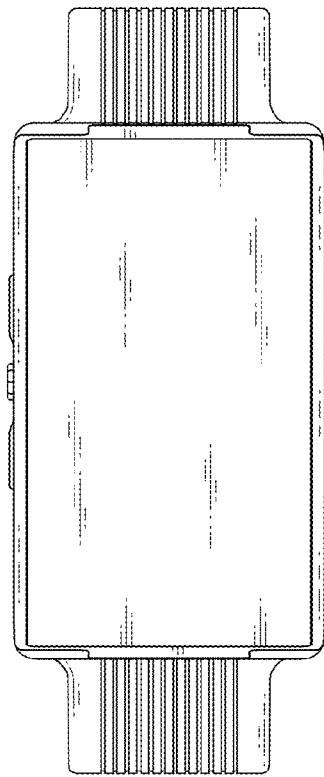


FIG.7

