



US00D720105S

(12) **United States Design Patent**
Gidwell et al.

(10) **Patent No.:** **US D720,105 S**

(45) **Date of Patent:** **** Dec. 23, 2014**

(54) **STICK MOP**

(71) Applicant: **Euro-Pro Operating LLC**, Newton, MA (US)

(72) Inventors: **Christopher Gidwell**, Auburndale, MA (US); **Owen Johnson**, Waltham, MA (US); **William Scott Hughes**, Waltham, MA (US)

(73) Assignee: **Euro-Pro Operating LLC**, Newton, MA (US)

(**) Term: **14 Years**

(21) Appl. No.: **29/465,363**

(22) Filed: **Aug. 27, 2013**

(51) **LOC (10) Cl.** **04-01**

(52) **U.S. Cl.**
USPC **D32/40; D32/45**

(58) **Field of Classification Search**
USPC **D32/40-46, 50; 15/119.1, 228; 401/138-140**

See application file for complete search history.

(56) **References Cited**

U.S. PATENT DOCUMENTS

5,888,006 A * 3/1999 Ping et al. 401/139
6,048,123 A * 4/2000 Holt et al. 401/138

6,497,525 B1 * 12/2002 Huang 401/138
D607,168 S * 12/2009 Libman et al. D32/45
D661,035 S * 5/2012 McGee et al. D32/45
D661,036 S * 5/2012 Raven D32/45
D673,747 S * 1/2013 Kandasamy et al. D32/45
D685,558 S * 7/2013 deBlois D32/45
D685,967 S * 7/2013 Houghton D32/45

* cited by examiner

Primary Examiner — Robin V Webster

(74) *Attorney, Agent, or Firm* — Yang IPCo, PLLC

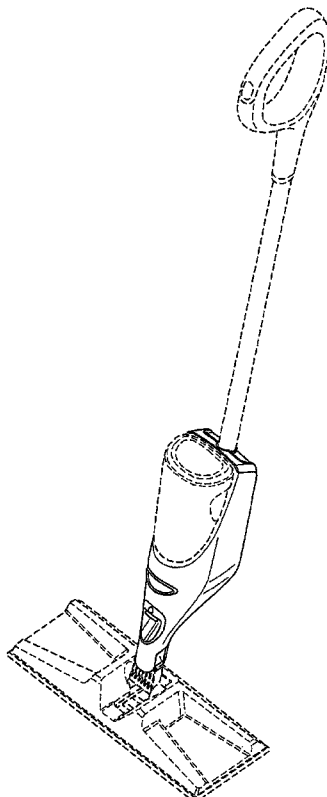
(57) **CLAIM**

The ornamental design for a stick mop, as shown and described.

DESCRIPTION

FIG. 1 is a perspective view of the stick mop of this invention; FIG. 2 is a front view of the stick mop of this invention; FIG. 3 is a rear view of the stick mop of this invention; FIG. 4 is a view of a left side of the stick mop of this invention; FIG. 5 is a view of a right side of the stick mop of this invention; FIG. 6 is a top view of the stick mop of this invention; and, FIG. 7 is a bottom view of the stick mop of this invention. The broken line showing of is included for the purpose of illustrating and forms no part of the claimed design.

1 Claim, 4 Drawing Sheets



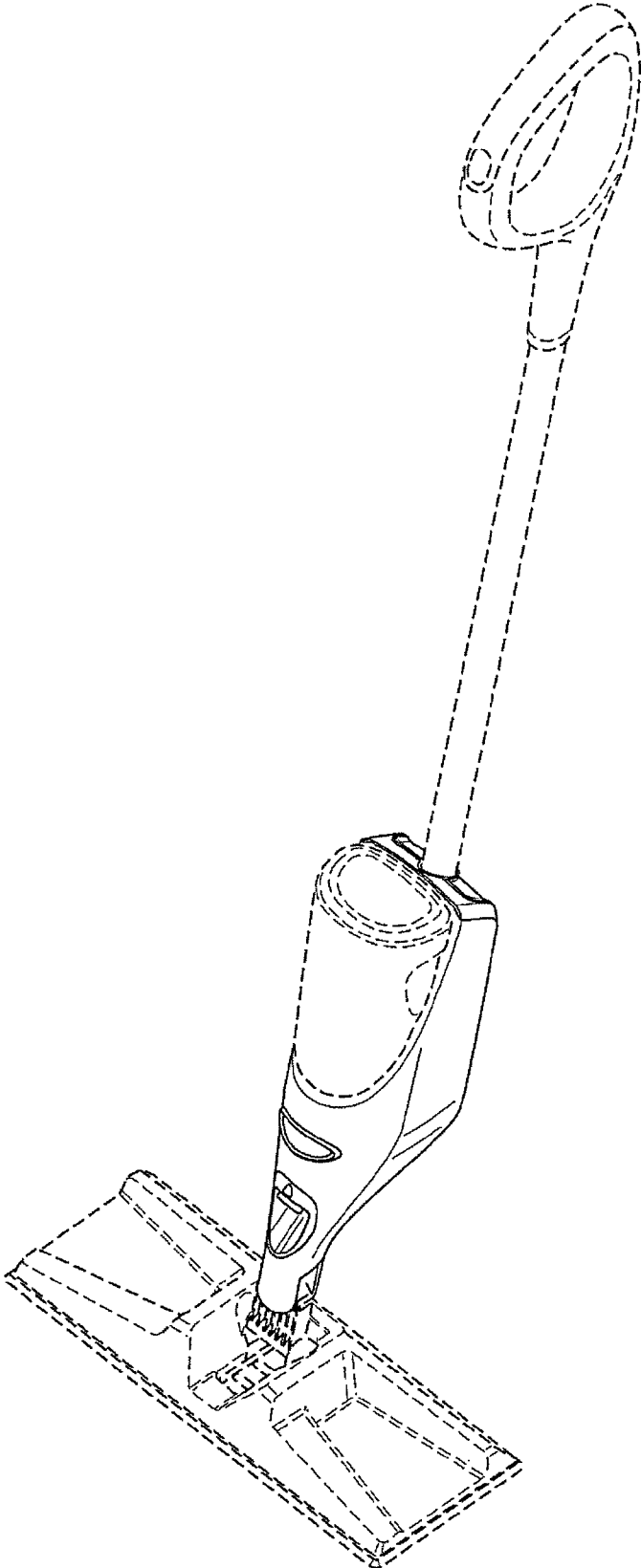
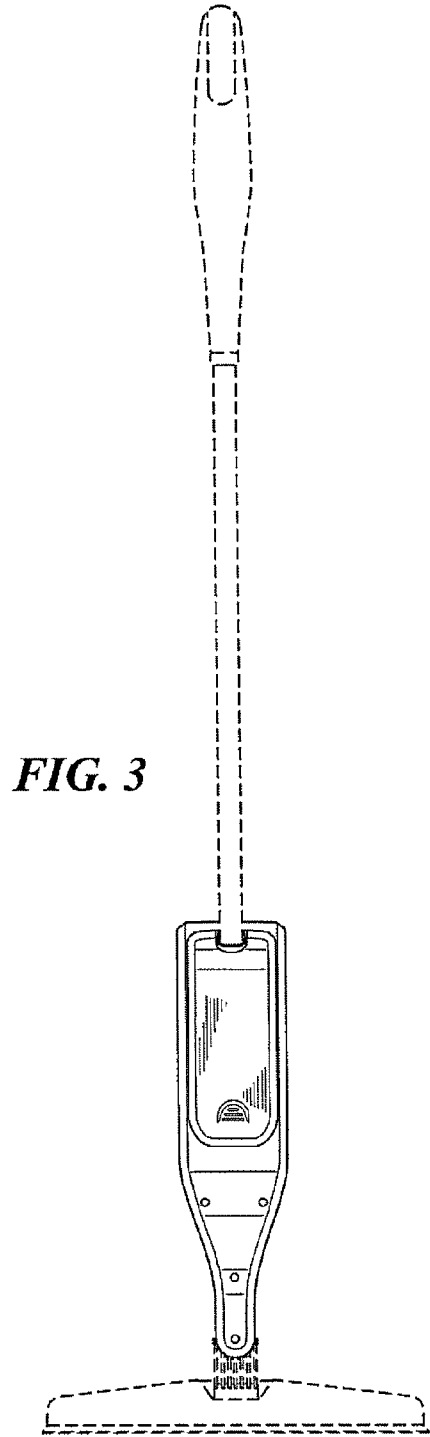
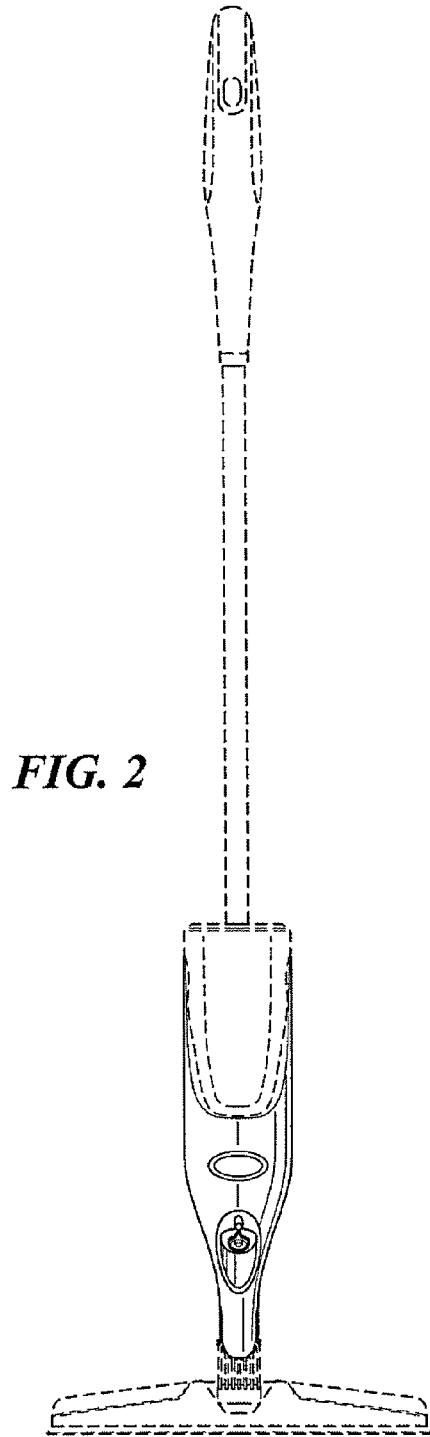
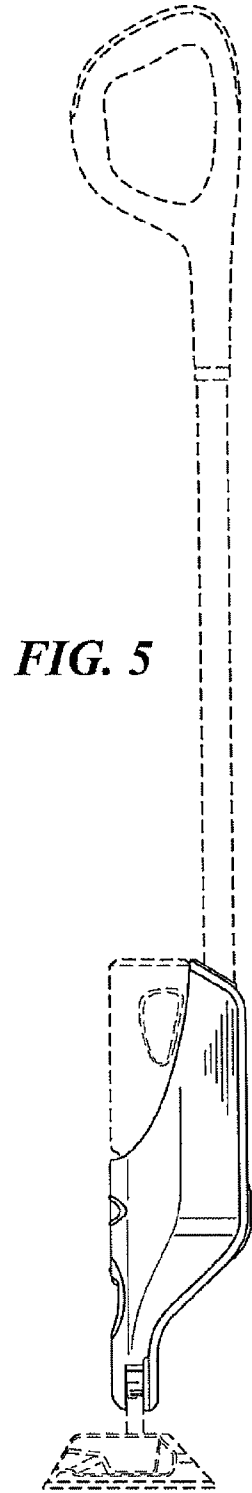
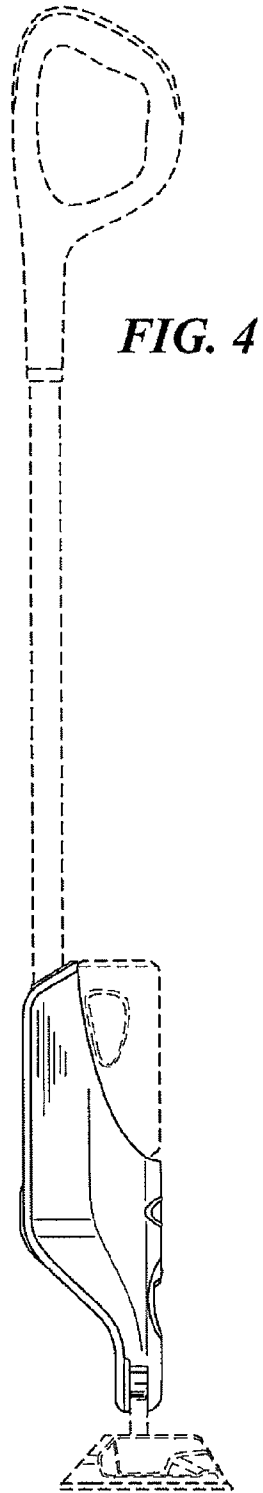


FIG. 1





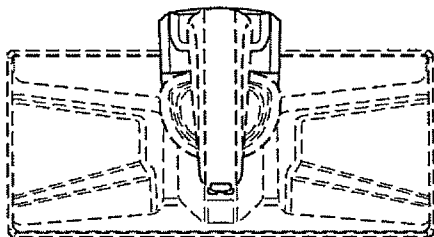


FIG. 6

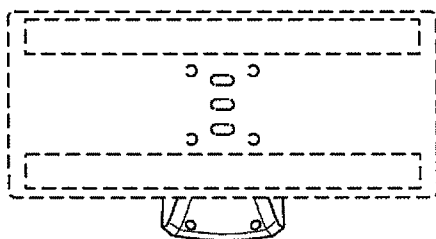


FIG. 7