

(19) World Intellectual Property Organization
International Bureau



(43) International Publication Date
21 December 2000 (21.12.2000)

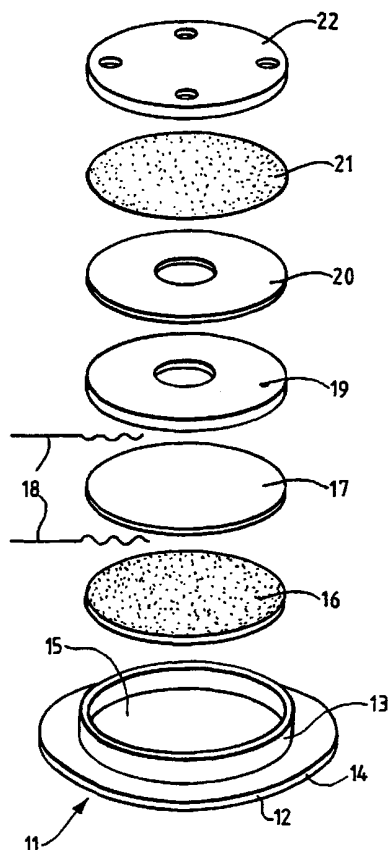
PCT

(10) International Publication Number
WO 00/77505 A2

- (51) International Patent Classification⁷: **G01N 27/413** [GB/GB]; The Gardens, Priory Orchard, Totnes, Devon TQ9 5HR (GB).
- (21) International Application Number: PCT/GB00/02348
- (22) International Filing Date: 15 June 2000 (15.06.2000)
- (25) Filing Language: English
- (26) Publication Language: English
- (30) Priority Data:
9913946.1 15 June 1999 (15.06.1999) GB
- (71) Applicant (for all designated States except US): **DART SENSORS LIMITED** [GB/GB]; Dart Marine Park, Totnes, Devon TQ9 5AL (GB).
- (72) Inventor; and
- (75) Inventor/Applicant (for US only): **KING, Walter, John**
- (74) Agents: **HARRISON, Ivor, Stanley et al.**; Withers & Rogers, Goldings House, 2 Hays Lane, London SE1 2HW (GB).
- (81) Designated States (*national*): AE, AG, AL, AM, AT, AU, AZ, BA, BB, BG, BR, BY, CA, CH, CN, CR, CU, CZ, DE, DK, DM, DZ, EE, ES, FI, GB, GD, GE, GH, GM, HR, HU, ID, IL, IN, IS, JP, KE, KG, KP, KR, KZ, LC, LK, LR, LS, LT, LU, LV, MA, MD, MG, MK, MN, MW, MX, MZ, NO, NZ, PL, PT, RO, RU, SD, SE, SG, SI, SK, SL, TJ, TM, TR, TT, TZ, UA, UG, US, UZ, VN, YU, ZA, ZW.
- (84) Designated States (*regional*): ARIPO patent (GH, GM, KE, LS, MW, MZ, SD, SL, SZ, TZ, UG, ZW), Eurasian patent (AM, AZ, BY, KG, KZ, MD, RU, TJ, TM), European patent (AT, BE, CH, CY, DE, DK, ES, FI, FR, GB, GR, IE,

[Continued on next page]

(54) Title: CARBON MONOXIDE SENSOR



(57) Abstract: A method and apparatus for detecting the presence of carbon monoxide in a gas which may also contain contaminating substances uses a pre-treatment means to absorb contaminating substances and to convert them to non-contaminating substances.



WO 00/77505 A2



IT, LU, MC, NL, PT, SE), OAPI patent (BF, BJ, CF, CG, CI, CM, GA, GN, GW, ML, MR, NE, SN, TD, TG).

For two-letter codes and other abbreviations, refer to the "Guidance Notes on Codes and Abbreviations" appearing at the beginning of each regular issue of the PCT Gazette.

Published:

- *With international search report.*
- *Before the expiration of the time limit for amending the claims and to be republished in the event of receipt of amendments.*

Carbon Monoxide Sensor

This invention relates to apparatus for detection of carbon monoxide.

Among the available methods of detecting carbon monoxide, electrochemical sensors have shown great promise as they are relatively cheap, sensitive and reliable. However, they suffer the disadvantage that they are inherently sensitive to a wide range of substances and as a result are liable to give erroneous responses in service.

It is an object of the present invention to provide a carbon monoxide sensor which is of enhanced specificity compared with electrochemical sensors and which preferably does not require a source of power.

According to one aspect of the present invention, a carbon monoxide sensor comprises pre-treatment means and sensor means, the pre-treatment means comprising means to absorb contaminating substances and means to convert contaminating substances to non-contaminating substances.

By "contaminating substances" is meant elements or compounds in gaseous or vapour form which if incident on the sensor means would themselves be detected and which could thus give rise to an erroneous or misleading result of carbon monoxide presence or concentration.

Preferably, the pre-treatment and sensor means are contained in separate chambers which are in mutual communication, the pretreatment chamber including access means for the gaseous test substrate.

The sensor means may comprise an electrochemical sensor preferably of the fuel cell type and comprising two electrochemically-active electrodes separated by an electrolyte absorbed on a porous substrate. The electrodes are electrically connected to a display device by current-carrying leads which preferably comprise platinum wire. The sensor electrodes may comprise a precious metal as catalyst, optionally disposed on a suitable

support or, alternatively, applied direct to the electrode surface in finely-divided form such as platinum black. The porous substrate may comprise a plastics polymeric material such as polyvinyl chloride or polyethylene and the electrolyte is preferably acidic, such as sulphuric acid at a concentration between 0.1 and 10M.

The absorption pre-treatment means is preferably an aqueous medium, since most of the common contaminating substances including ammonia, sulphur dioxide, hydrogen sulphide, ethanol and other organic contaminants such as other alcohols and aldehydes, as well as acidic and alkaline gaseous substances, are soluble or highly soluble in water.

The partition coefficients between air and water for the above compounds are as follows: ammonia 0.0014 (20°C); sulphur dioxide 0.0125 (20°C); hydrogen sulphide 0.37 (20°) and ethanol 0.0004 (34°C). By contrast, carbon monoxide has a partition coefficient of 45 (20°C) and thus is predominantly non-absorbed by an aqueous pre-treatment means.

To inhibit evaporation and to prevent eventual drying, the aqueous medium preferably contains sulphuric acid or other water-retention substance.

The aqueous medium is preferably itself absorbed on a solid absorbent matrix such as porous polyethylene, polyvinyl chloride or other inert plastics material.

The function of the conversion pre-treatment means is to oxidise the absorbed contaminating substances which would otherwise accumulate in and eventually saturate the absorption medium. The conversion means is preferably chemically catalytically active to avoid the need for a source of power; the catalyst is preferably a heterogeneous catalyst comprising platinum or other precious metal which may be dispersed on a support material such as activated carbon or a zeolite provided that the catalyst is not thereby made active for carbon monoxide oxidation. However, the preferred catalyst is finely divided platinum metal such as platinum black.

Preferably, the sensor includes a porous barrier to exclude airborne particulates from the pre-treatment means.

In another embodiment, the invention provides a method for sensing the presence of carbon monoxide in a gaseous test substrate which may also contain contaminating substances, the method comprising pre-treating the substrate to absorb any contaminating substances and to convert said contaminating substances to non-contaminating substances and testing the residue of the test substrate for the presence of carbon monoxide.

Embodiments of the invention will now be described by way of example with reference to the accompanying drawings, of which

Figure 1 is an exploded view of the component parts of a carbon monoxide sensor and

Figure 2 is a cross sectional view of the sensor made from the parts shown in Figure 1.

Referring firstly to Figure 1, the sensor device has a base housing 11 in the form of a circular plate 12 having an upstanding annular wall 13 defining an outer annular flange 14 and a central circular cavity 15. At the bottom of the cavity is placed a circular disc 16 of porous polyvinyl chloride containing 5M sulphuric acid solution absorbed therein and the electrodes are placed thereon. The electrodes are constituted by a porous polyvinyl chloride disc 17 with 5M sulphuric acid absorbed therein and coated on its surfaces with respective catalytic layers of platinum black, the upper surface being the working electrode for electrochemical oxidation of carbon monoxide and the lower surface being the counter-electrode to complete the electrochemical circuit by reduction of oxygen. Connecting wires 18 pass the electricity generated to a warning or display device (not shown).

Over the working electrode is placed an impervious annular disc 19 having a depending outer flange 19A which spaces the disc 19 from the working electrode to form a sensor chamber B (Figure 2). The disc carries an annular sheet of porous polyvinyl chloride 20 having dilute sulphuric acid absorbed therein and carrying a catalytic surface coating of platinum black. A circular disc or membrane 21 of porous PTFE overlies the sheet 20 and acts as a barrier layer to exclude particulates, and a top plate 22 having holes formed therein is inserted at the top of the cavity 15. The plate 22 has a depending outer flange

22A which spaces the plate from the barrier layer to form in conjunction with the barrier layer and annular sheet 20 a pretreatment chamber A .

In use, ambient air passes by diffusion through the holes in plate 22 into pretreatment chamber A where it initially passes through the interstices of disc 21 to reach the pretreatment element 20. Most contaminating substances are trapped in element 20 by absorption and catalytic oxidation and carbon monoxide molecules pass through the central hole in the pretreatment element 20, in registration with the central hole in disc 19, into the sensor chamber B. The carbon monoxide is oxidised to carbon dioxide on the upper catalytic surface, the resulting electrical output being proportional to the carbon monoxide concentration. The circular disc 16 containing absorbed sulphuric acid acts as a reservoir which feeds or drains the sensor electrode as the volume of electrolyte expands and contracts with temperature and humidity changes.

Claims

1. Carbon monoxide sensor apparatus comprising pre-treatment means and sensor means, the pre-treatment means comprising means to absorb contaminating substances from a gaseous test substrate and means to convert contaminating substances to non-contaminating substances.
2. Apparatus according to claim 1, in which the pre-treatment and sensor means are contained in separate chambers in mutual communication, the pretreatment chamber including access means for the gaseous test substrate.
3. Apparatus according to claim 1 or claim 2, in which the sensor means comprise an electrochemical sensor comprising two electrochemically-active electrodes separated by an electrolyte absorbed on a porous substrate.
4. Apparatus according to claim 3, in which the sensor electrodes comprise a precious metal as catalyst.
5. Apparatus according to claim 4, in which the catalyst is disposed on a porous support.
6. Apparatus according to claim 4, in which the catalyst is applied direct to the electrode surface in finely-divided form.
7. Apparatus according to any of claims 3 to 6, in which the porous substrate comprises a plastics polymeric material.
8. Apparatus according to any of claims 3 to 7, in which the electrolyte is acidic.
9. Apparatus according to any preceding claim, in which the absorption pre-treatment means comprises an aqueous medium.
10. Apparatus according to claim 9, in which the aqueous medium contains sulphuric acid or other water-retention substance.
11. Apparatus according to claim 9 or claim 10, in which the aqueous medium is absorbed on a solid absorbent matrix.
12. Apparatus according to any preceding claim and including a porous barrier to exclude airborne particulates from the pre-treatment means.

13. A method for sensing the presence of carbon monoxide in a gaseous test substrate which may also contain contaminating substances, the method comprising pre-treating the substrate to absorb any contaminating substances and to convert said contaminating substances to non-contaminating substances and testing the residue of the test substrate for the presence of carbon monoxide.

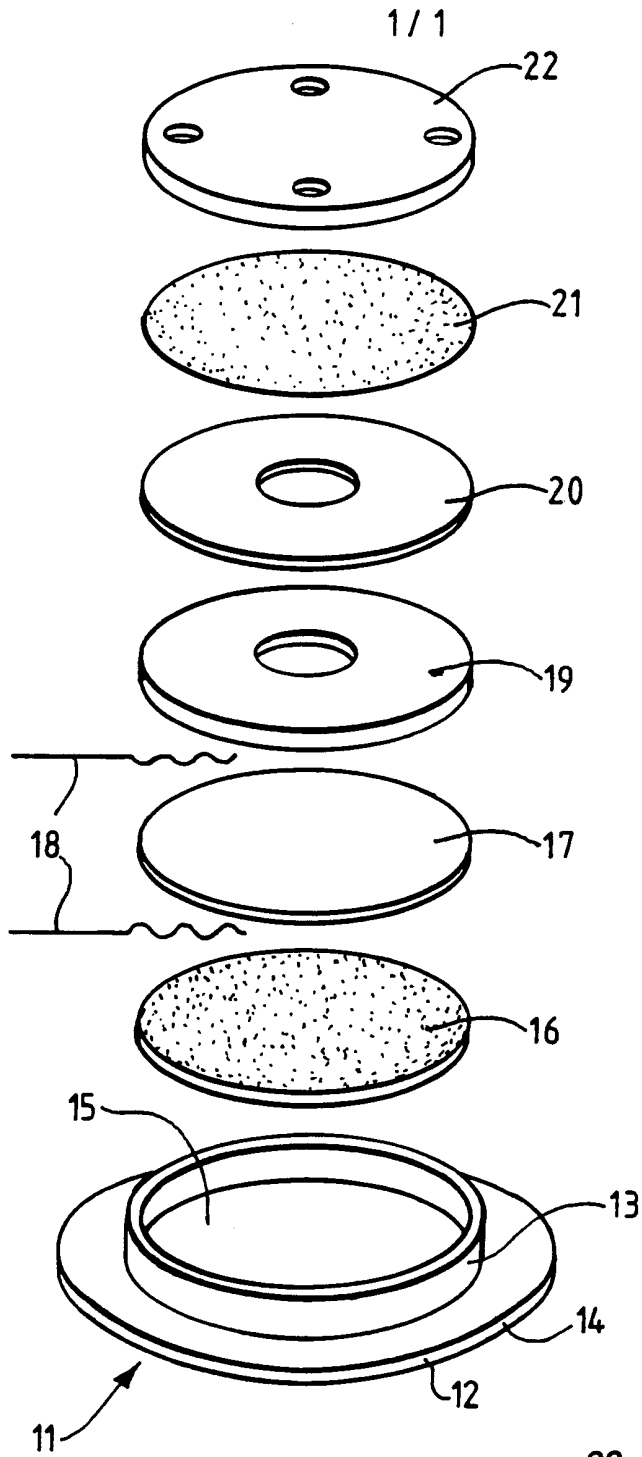


Fig.1.

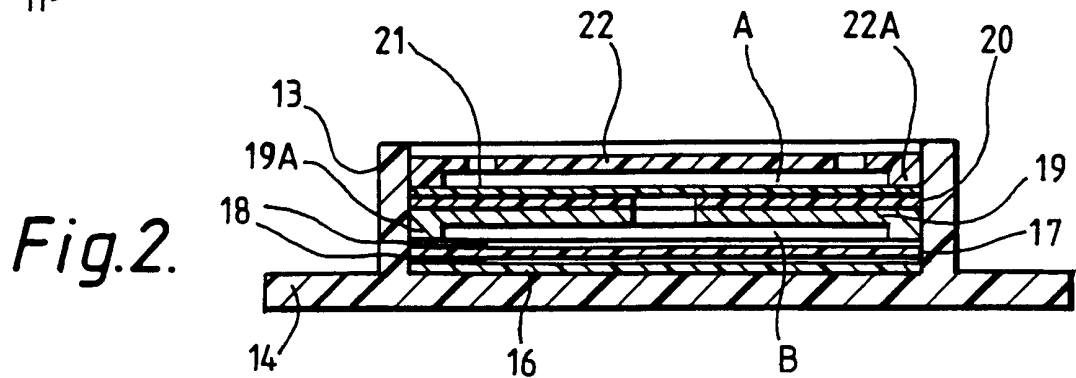


Fig.2.

INTERNATIONAL SEARCH REPORT

International Application No
PCT/GB 00/02348

A. CLASSIFICATION OF SUBJECT MATTER
IPC 7 G01N27/413

According to International Patent Classification (IPC) or to both national classification and IPC

B. FIELDS SEARCHED

Minimum documentation searched (classification system followed by classification symbols)
IPC 7 G01N

Documentation searched other than minimum documentation to the extent that such documents are included in the fields searched

Electronic data base consulted during the international search (name of data base and, where practical, search terms used)
EPO-Internal, WPI Data

C. DOCUMENTS CONSIDERED TO BE RELEVANT

Category °	Citation of document, with indication, where appropriate, of the relevant passages	Relevant to claim No.
Y	EP 0 710 835 A (TOYOTA JIDOSHA K K) 8 May 1996 (1996-05-08) abstract; figure 1 ---	1-13
Y	RUSSIAN PATENTS ABSTRACTS Section Ch, Week 199329 Derwent Publications Ltd., London, GB; Class E36, AN 1993-234148 XP002901271 & SU 1 749 815 A (ELECTROCHEM INST), 23 July 1992 (1992-07-23) abstract --- -/--	1-13

Further documents are listed in the continuation of box C. Patent family members are listed in annex.

° Special categories of cited documents :

<p>*A* document defining the general state of the art which is not considered to be of particular relevance</p> <p>*E* earlier document but published on or after the international filing date</p> <p>*L* document which may throw doubts on priority claim(s) or which is cited to establish the publication date of another citation or other special reason (as specified)</p> <p>*O* document referring to an oral disclosure, use, exhibition or other means</p> <p>*P* document published prior to the international filing date but later than the priority date claimed</p>	<p>*T* later document published after the international filing date or priority date and not in conflict with the application but cited to understand the principle or theory underlying the invention</p> <p>*X* document of particular relevance; the claimed invention cannot be considered novel or cannot be considered to involve an inventive step when the document is taken alone</p> <p>*Y* document of particular relevance; the claimed invention cannot be considered to involve an inventive step when the document is combined with one or more other such documents, such combination being obvious to a person skilled in the art.</p> <p>*&* document member of the same patent family</p>
--	--

Date of the actual completion of the international search 20 September 2000	Date of mailing of the international search report 13. 11. 00
---	---

Name and mailing address of the ISA European Patent Office, P.B. 5818 Patentlaan 2 NL - 2280 HV Rijswijk Tel. (+31-70) 340-2040, Tx. 31 651 epo nl, Fax: (+31-70) 340-3016	Authorized officer Nardai
--	---

INTERNATIONAL SEARCH REPORT

International Application No

PCT/GB 00/02348

C.(Continuation) DOCUMENTS CONSIDERED TO BE RELEVANT

Category *	Citation of document, with indication, where appropriate, of the relevant passages	Relevant to claim No.
Y	DATABASE WPI Section Ch, Week 197736 Derwent Publications Ltd., London, GB; Class J01, AN 1977-636741Y XP002901272 & JP 52 088282 A (RIKEN KEIKI KK), 23 July 1977 (1977-07-23) abstract ---	1-13
Y	WO 96 37771 A (SIEMENS AG) 28 November 1996 (1996-11-28) claims; figures -----	1-13

INTERNATIONAL SEARCH REPORT

Information on patent family members

International Application No

PCT/GB 00/02348

Patent document cited in search report	Publication date	Patent family member(s)	Publication date
EP 0710835 A	08-05-1996	JP 8327590 A	13-12-1996
		EP 0710996 A	08-05-1996
		JP 8329969 A	13-12-1996
		KR 170035 B	30-03-1999
		KR 171206 B	30-03-1999
		US 5712052 A	27-01-1998
		US 5897766 A	27-04-1999

SU 1749815 A	23-07-1992	NONE	

JP 52088282 A	23-07-1977	NONE	

WO 9637771 A	28-11-1996	DE 19519189 C	12-09-1996
		EP 0829009 A	18-03-1998
		JP 10506715 T	30-06-1998
