



US00D720998S

(12) **United States Design Patent**
Galli

(10) **Patent No.:** **US D720,998 S**

(45) **Date of Patent:** **** Jan. 13, 2015**

(54) **WATCH**

(71) Applicant: **Salvatore Ferragamo S.p.A.**, Florence
(IT)

(72) Inventor: **Giorgio Galli**, Milan (IT)

(73) Assignee: **Salvatore Ferragamo S.p.A.**, Florence
(IT)

(**) Term: **14 Years**

(21) Appl. No.: **29/487,874**

(22) Filed: **Apr. 14, 2014**

(30) **Foreign Application Priority Data**

Oct. 15, 2013 (WO) DM/08 1927

(51) **LOC (10) CL.** **10-02**

(52) **U.S. CL.**
USPC **D10/39**

(58) **Field of Classification Search**
USPC D10/30-39, 122-132; 368/276, 281,
368/282, 285
See application file for complete search history.

(56) **References Cited**

U.S. PATENT DOCUMENTS

D62,195 S *	4/1923	Seiger	D10/33
D111,817 S *	10/1938	Schwankaus	D10/38
D113,248 S *	2/1939	Wuischpard	D10/38
D114,788 S *	5/1939	Freedman	D10/33
2,229,978 A *	1/1941	Kolberg	224/152
D149,039 S *	3/1948	Barre	D10/32
3,162,007 A *	12/1964	Parmentier	368/281

D238,413 S *	1/1976	Blanchard	D10/38
D268,485 S *	4/1983	Claude	D10/38
D310,337 S *	9/1990	Ratajski	D10/39
D340,414 S *	10/1993	DeGraeve	D10/39
D382,214 S *	8/1997	Liao	D10/32
D391,175 S *	2/1998	Wunderman	D10/32
RE37,096 E *	3/2001	Houlihan	D10/30
D457,816 S *	5/2002	Guye	D10/32
D464,275 S *	10/2002	Bulgari	D10/39
6,883,961 B1 *	4/2005	Ray	368/281
D513,389 S *	1/2006	Vigneron	D10/32
D520,383 S *	5/2006	Raffy	D10/32
D524,174 S *	7/2006	Monachon	D10/32
D530,628 S *	10/2006	Raffy	D10/32
D584,172 S *	1/2009	Soltani	D10/39
D601,042 S *	9/2009	Bodino et al.	D10/38
D609,585 S *	2/2010	d'Origny	D10/38
D647,808 S *	11/2011	Giroud	D10/38
D705,087 S *	5/2014	Monachon	D10/39

* cited by examiner

Primary Examiner — Lucy Lieberman

(74) *Attorney, Agent, or Firm* — Kelley Drye & Warren, LLP

(57) **CLAIM**

The ornamental design for a watch, as shown.

DESCRIPTION

FIG. 1 is a perspective view of a watch showing my new design;

FIG. 2 is a front elevation thereof;

FIG. 3 is a rear elevation thereof;

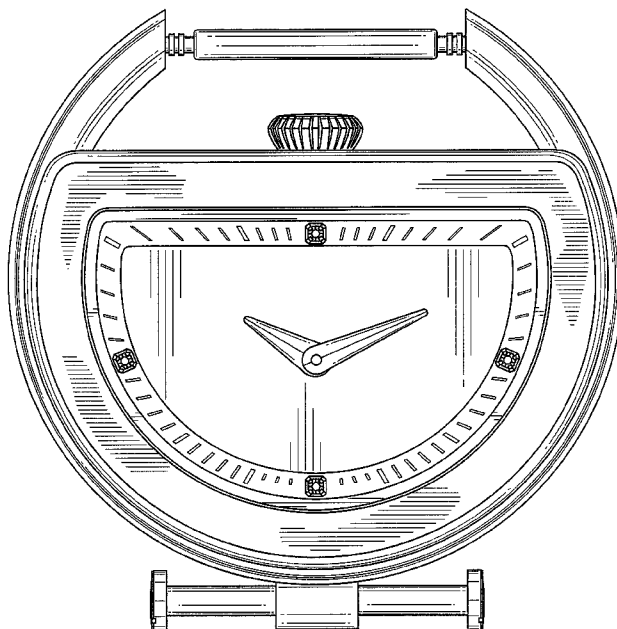
FIG. 4 is a left side elevation thereof;

FIG. 5 is a right side elevation thereof;

FIG. 6 is a top view thereof; and,

FIG. 7 is a bottom view thereof.

1 Claim, 7 Drawing Sheets



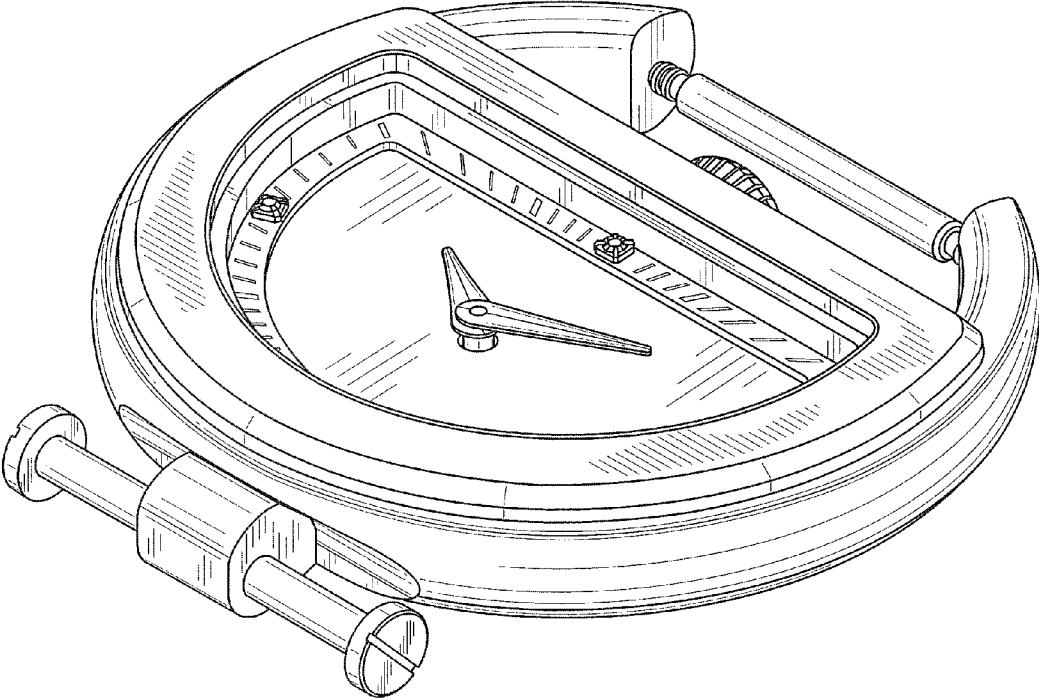


FIG. 1

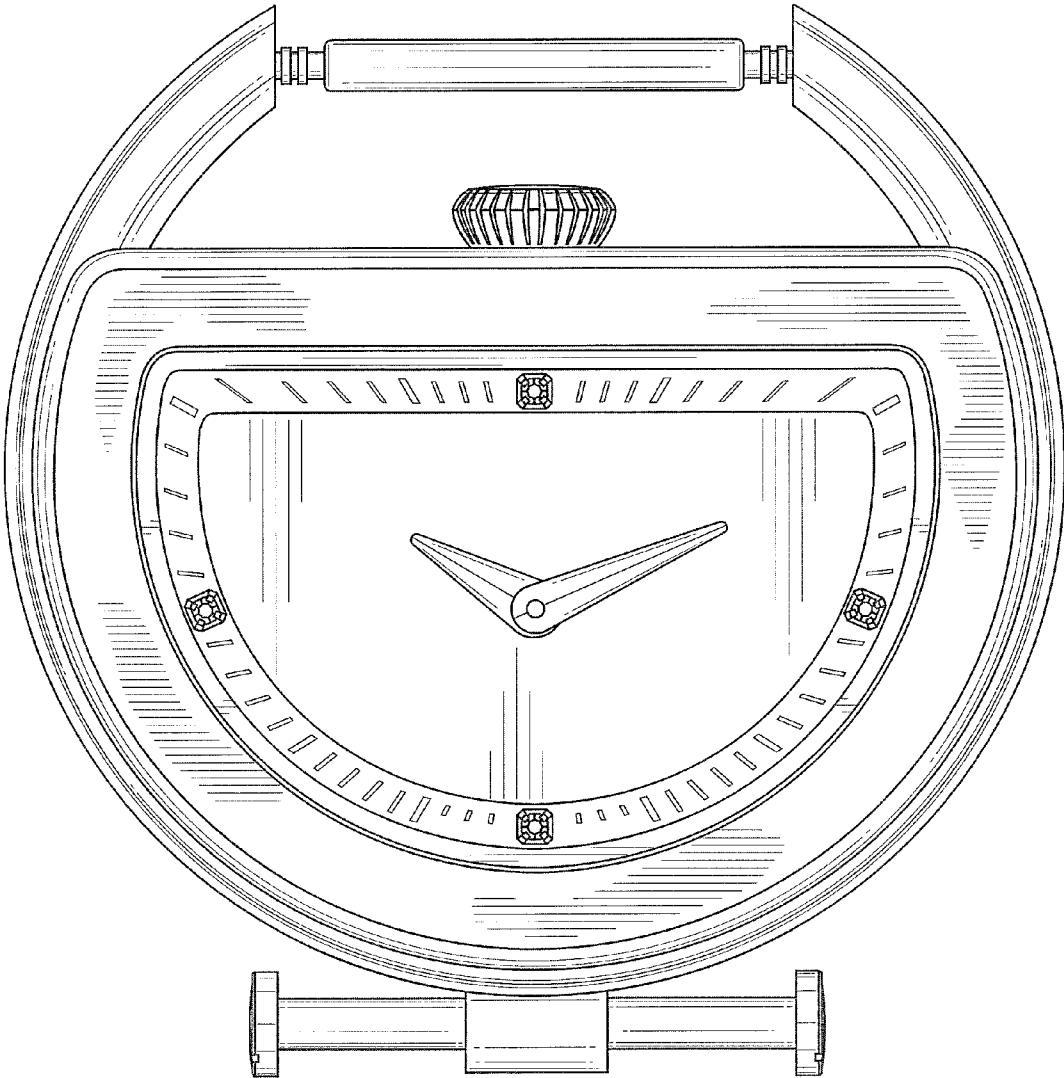


FIG. 2

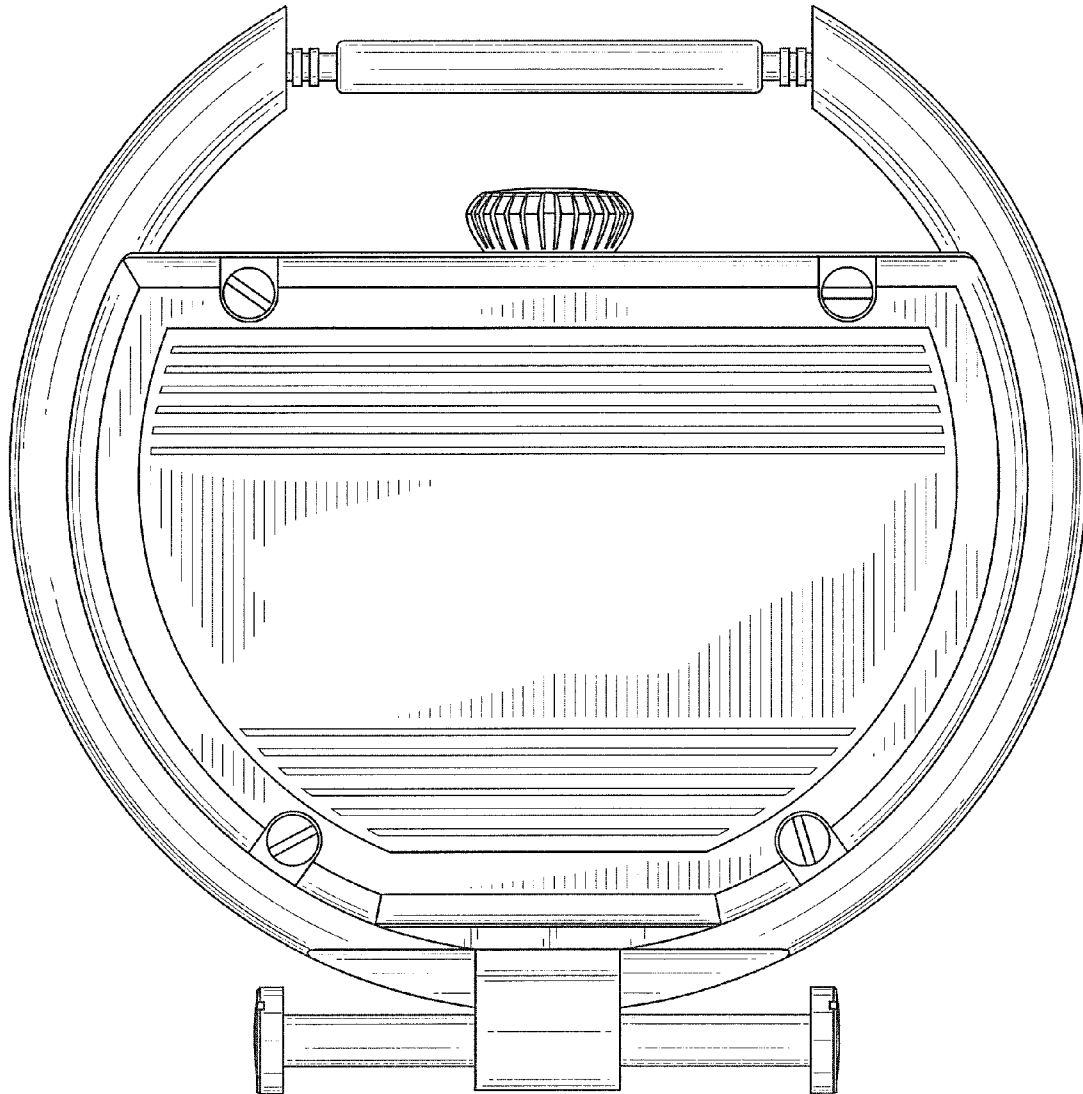


FIG. 3

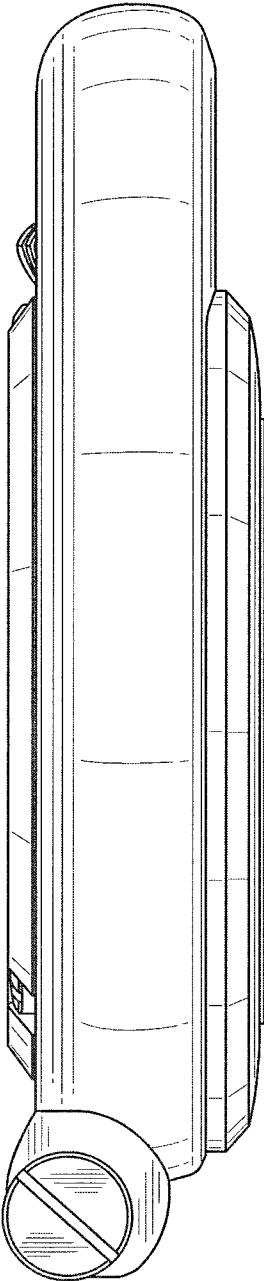


FIG. 4

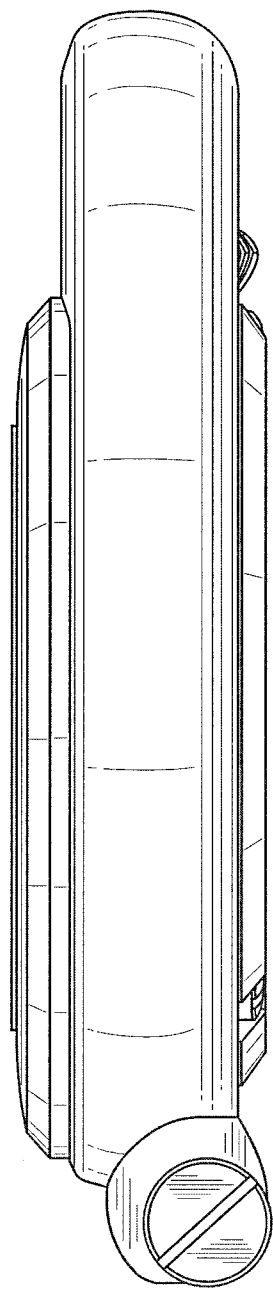


FIG. 5

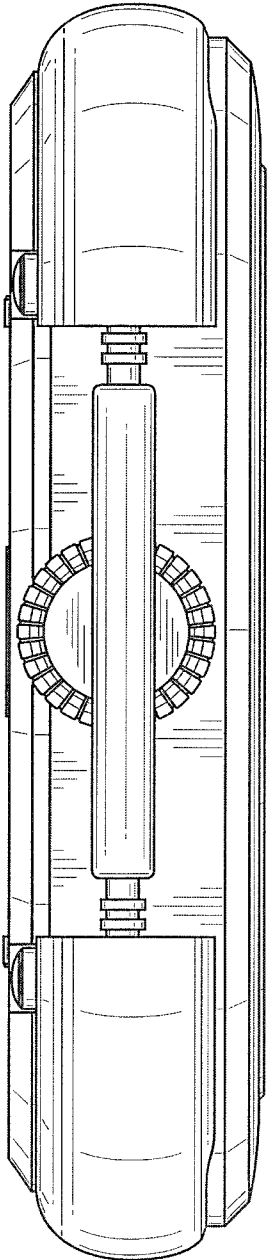


FIG. 6

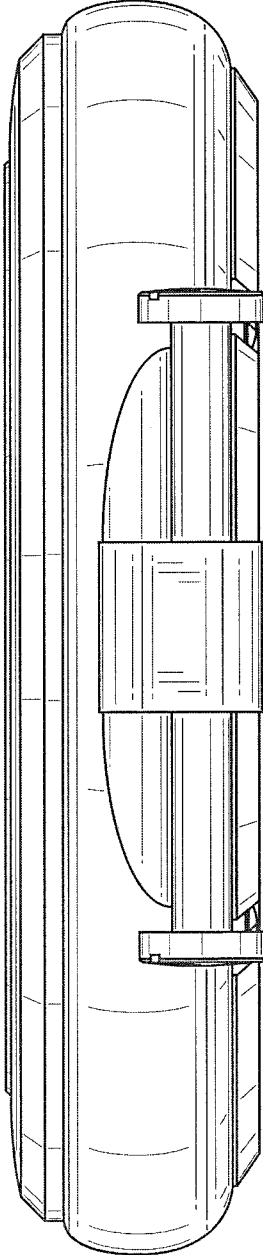


FIG. 7