

(12) UK Patent Application (19) GB (11) 2515936 (13) A

(43) Date of Reproduction by UK Office 07.01.2015

(21) Application No: 1417693.7
(22) Date of Filing: 25.03.2013
Date Lodged: 07.10.2014

(30) Priority Data:
(31) 61615808 (32) 26.03.2012 (33) US
(31) 61703198 (32) 19.09.2012 (33) US

(86) International Application Data:
PCT/US2013/033740 En 25.03.2013

(87) International Publication Data:
WO2013/148593 En 03.10.2013

(51) INT CL:
F26B 9/02 (2006.01) F26B 5/00 (2006.01)
F26B 21/00 (2006.01) F26B 25/00 (2006.01)

(56) Documents Cited:
WO 2008/137188 A1 US 20070157485 A1
US 20060049615 A1 US 20040231181 A1
JP H0278886

(58) Field of Search:
INT CL F24F, F26B
Other: eKOMPASS (KIPO Internal)

(71) Applicant(s):
Dri-Eaz Products Inc
(Incorporated in USA - Washington)
15180 Josh Wilson Road, Burlington,
Washington 98233, United States of America

(72) Inventor(s):
Richard A Black
Brett Alan Bartholmey
Ryan Kulp
Larry White
William Edward Bruders

(74) Agent and/or Address for Service:
Boulton Wade Tennant
Verulam Gardens, 70 Gray's Inn Road, LONDON,
WC1X 8BT, United Kingdom

(54) Title of the Invention: **Surface dryers producing uniform exit velocity profiles, and associated systems and methods**
Abstract Title: **Surface dryers producing uniform exit velocity profiles, and associated systems and methods**

(57) Surface dryers having uniform exit velocity profiles, and associated systems and methods are disclosed. Surface dryers in accordance with certain embodiments include a housing, a gas driver positioned in the housing, an inlet aperture formed in the housing and positioned upstream of the gas driver, and a nozzle carried by the housing and positioned downstream of the gas driver. The nozzle can have an indentation forming a convergent portion positioned to accelerate the flow of air and a divergent portion positioned to decelerate the flow of air.

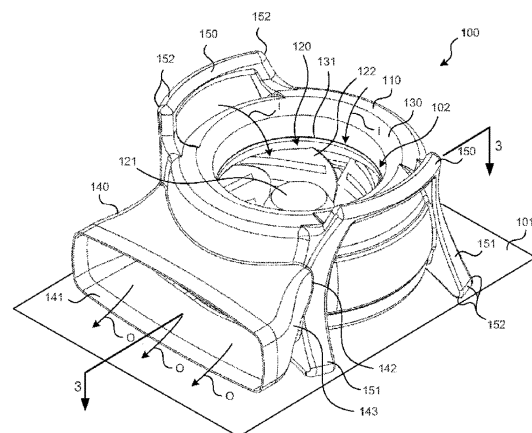


FIG. 1

GB 2515936 A