



US0D1027689S

(12) **United States Design Patent**
Zhang

(10) **Patent No.:** **US D1,027,689 S**

(45) **Date of Patent:** **** May 21, 2024**

(54) **LAB MECHANICAL BALANCE SCALE**

(71) Applicant: **ZHENGZHOU YINGLIAN MACHINERY CO., LTD.**, Henan (CN)

(72) Inventor: **Fuyong Zhang**, Henan (CN)

(**) Term: **15 Years**

(21) Appl. No.: **29/838,712**

(22) Filed: **May 15, 2022**

(51) **LOC (14) Cl.** **10-04**

(52) **U.S. Cl.**
USPC **D10/90**

(58) **Field of Classification Search**
USPC D10/90
CPC G01G 1/18; G01G 1/185; G01G 1/20; G01G 1/22; G01G 1/24; G01G 1/243; G01G 1/246; G01G 1/26; G01G 1/28; G01G 1/29; G01G 1/30; G01G 1/32; G01G 1/34; G01G 1/36; G01G 1/38; G01G 1/40; G01G 1/42

See application file for complete search history.

(56) **References Cited**

U.S. PATENT DOCUMENTS

D379,315 S * 5/1997 Woldenberg D10/90
D443,840 S * 6/2001 Ruban D10/90

D568,189 S * 5/2008 O'Grady D10/90
D570,721 S * 6/2008 Lin D10/90
D951,117 S * 5/2022 Fouts D21/523
D954,894 S * 6/2022 Zhou D22/113
11,644,358 B2 * 5/2023 Ganrude G01G 21/28
177/200

* cited by examiner

Primary Examiner — Antoine Duval Davis

(74) *Attorney, Agent, or Firm* — Che-Yang Chen; Law Office of Michael Chen

(57) **CLAIM**

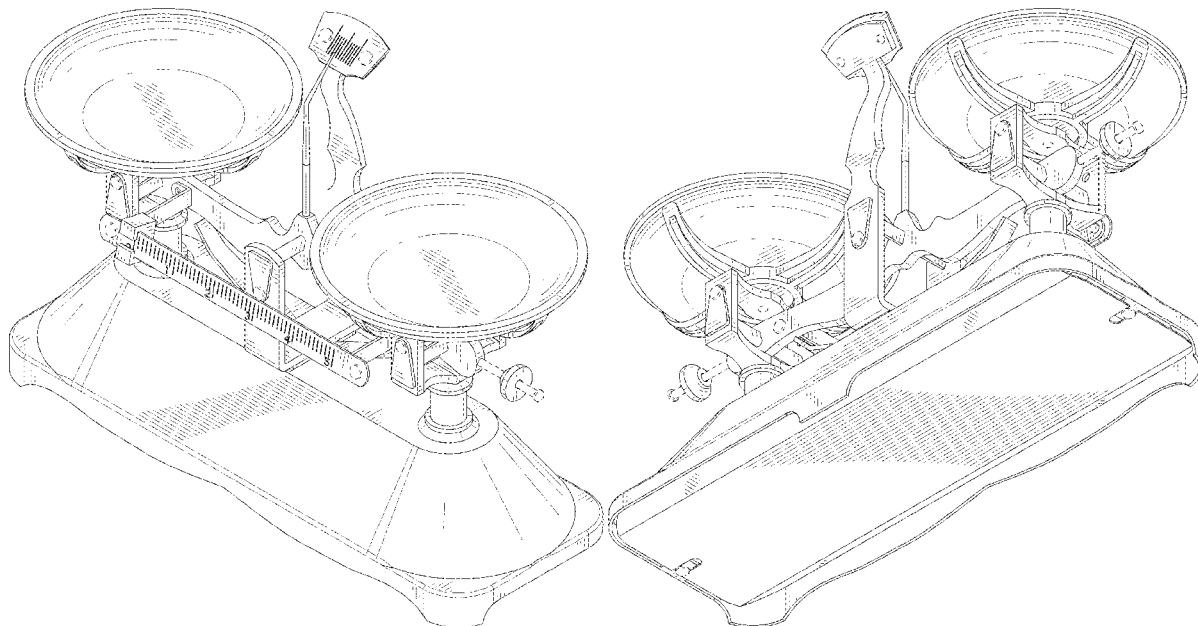
The ornamental design for a lab mechanical balance scale, as shown and described.

DESCRIPTION

FIG. 1 is a perspective view of the lab mechanical balance scale showing my new design; FIG. 2 is a perspective view thereof from another angle; FIG. 3 is a front elevational view thereof; FIG. 4 is a rear elevational view thereof; FIG. 5 is a left side elevational view thereof; FIG. 6 is a right side elevational view thereof; FIG. 7 is a top plan view thereof; and, FIG. 8 is a bottom plan view thereof.

The broken lines shown in the drawings represent portions of the lab mechanical balance scale that form no part of the claimed design.

1 Claim, 8 Drawing Sheets



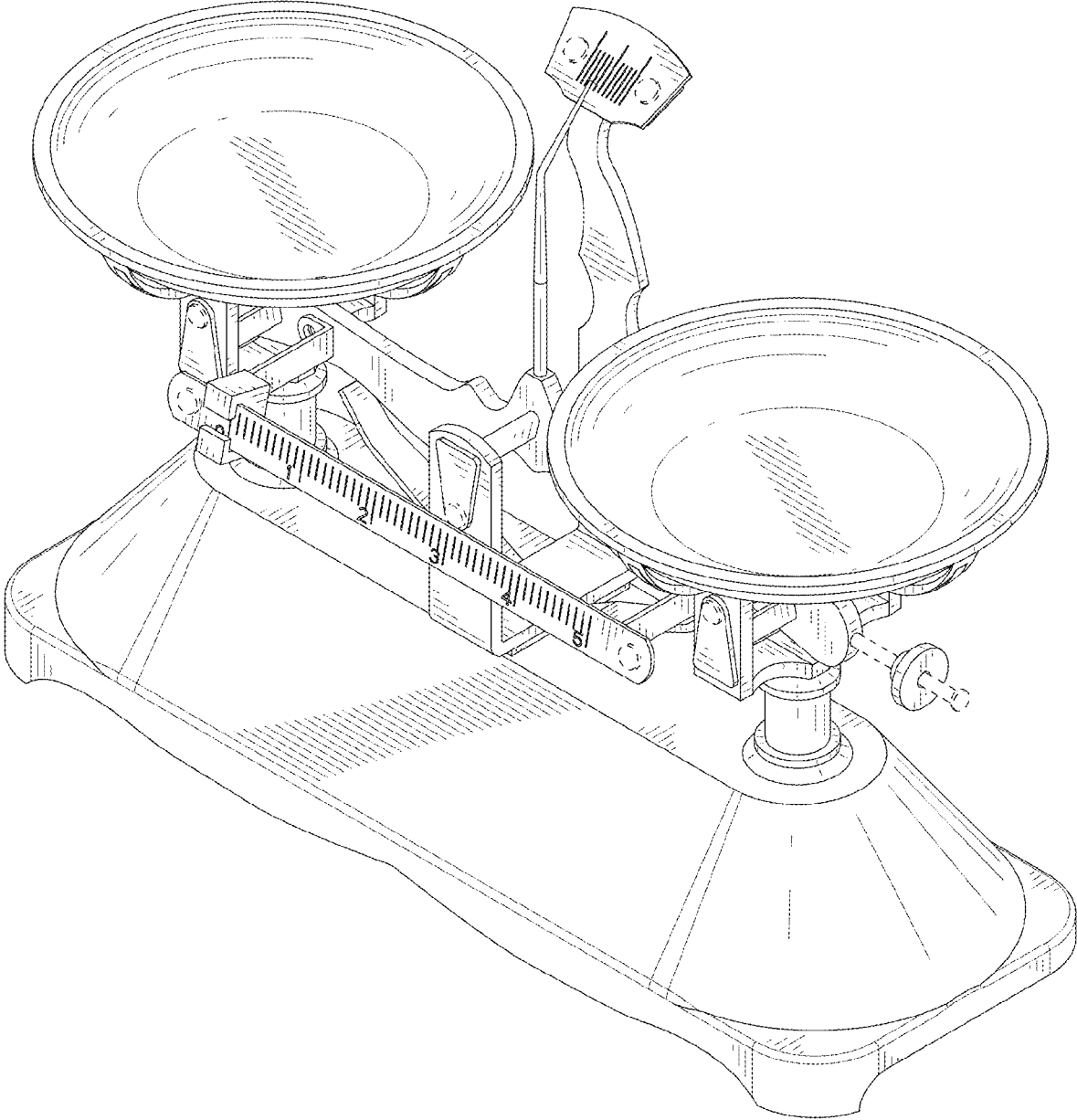


FIG. 1

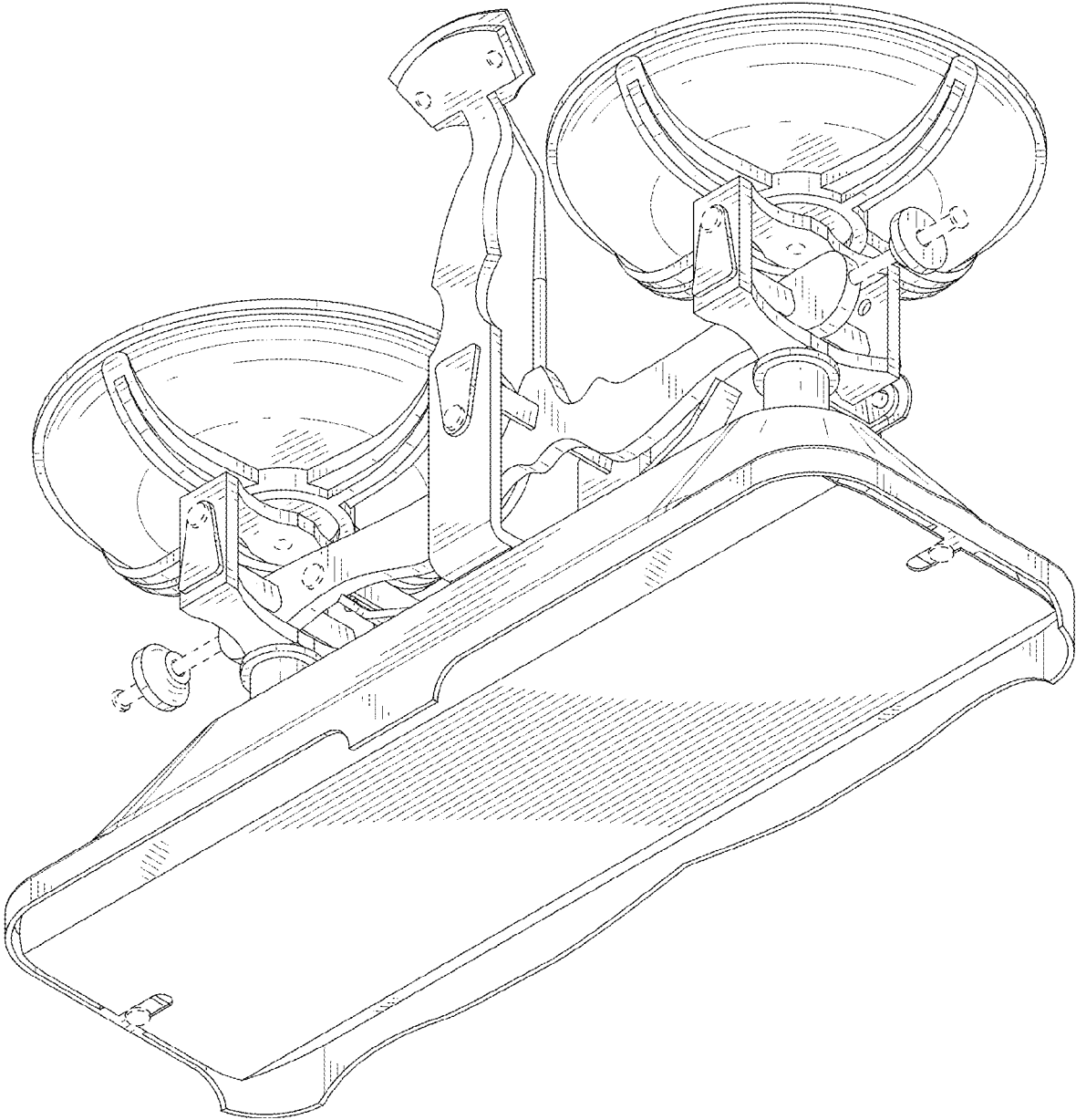


FIG. 2

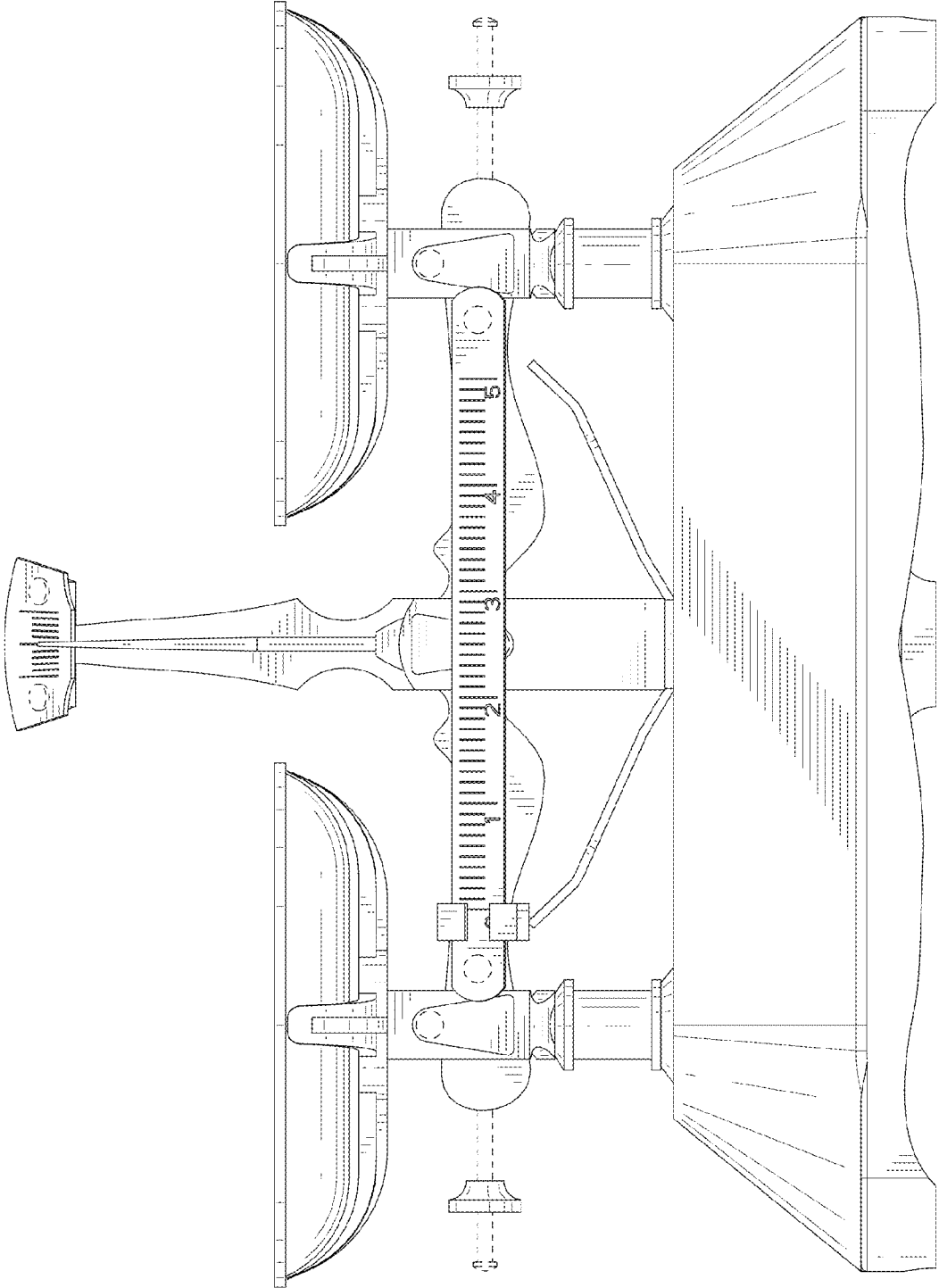


FIG. 3

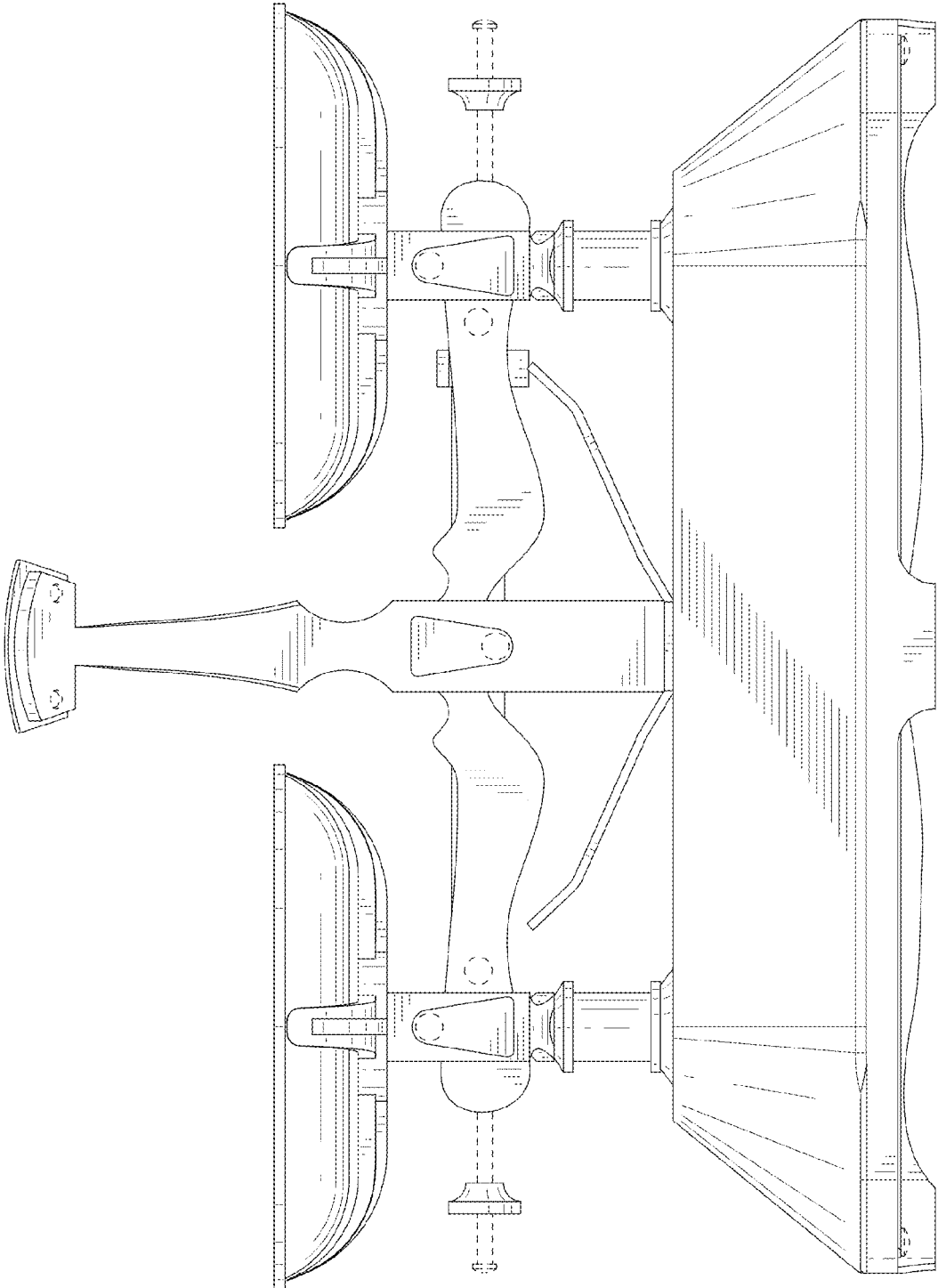


FIG. 4

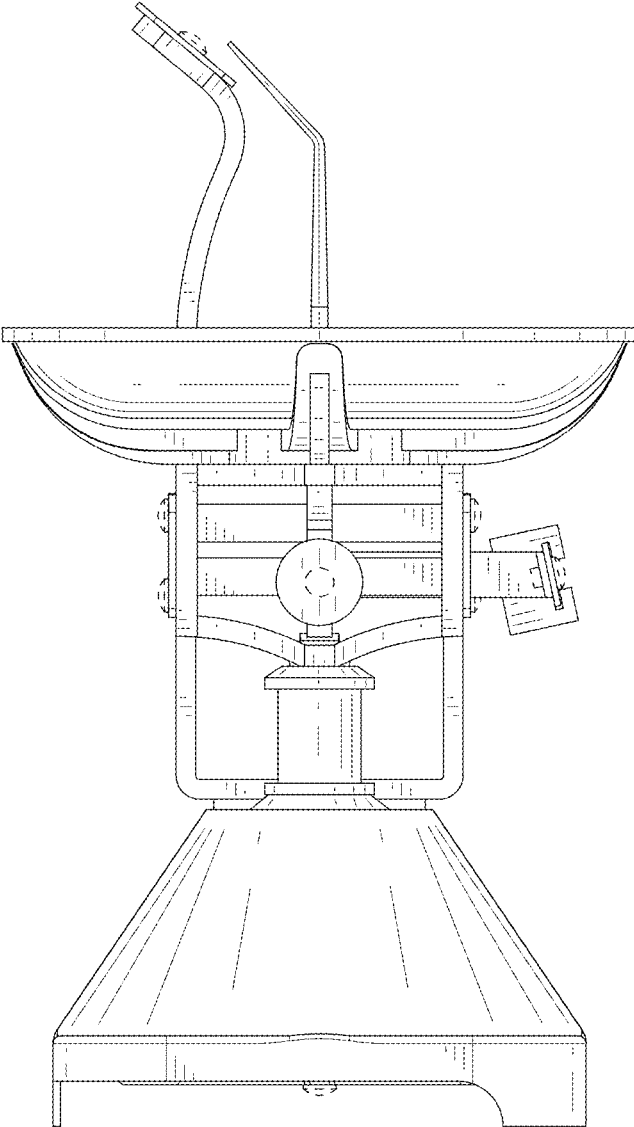


FIG. 5

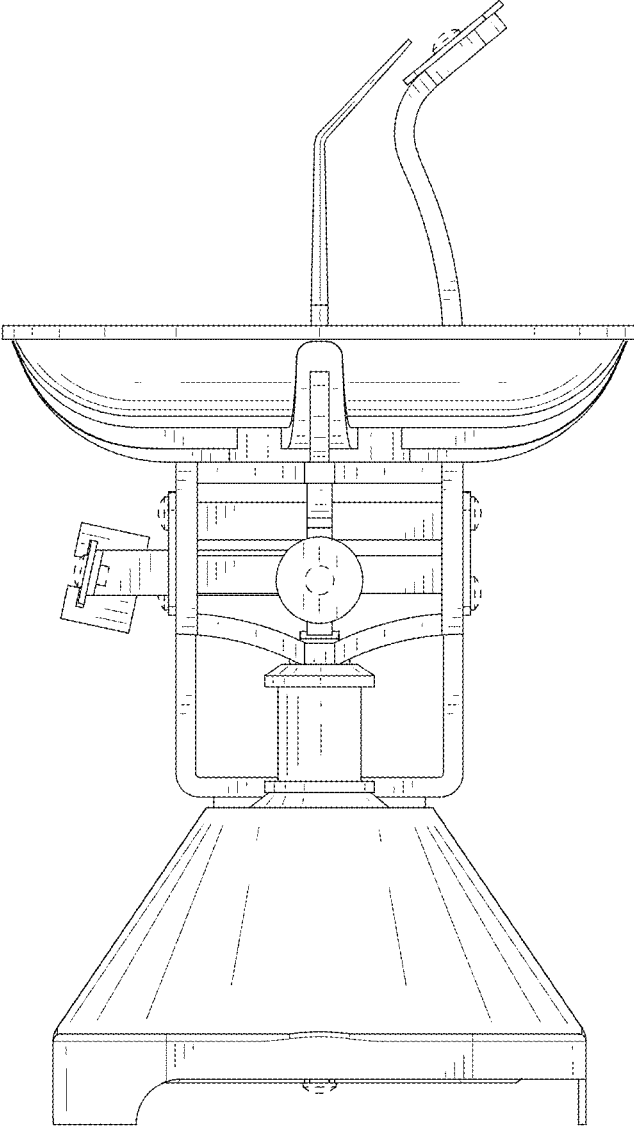


FIG. 6

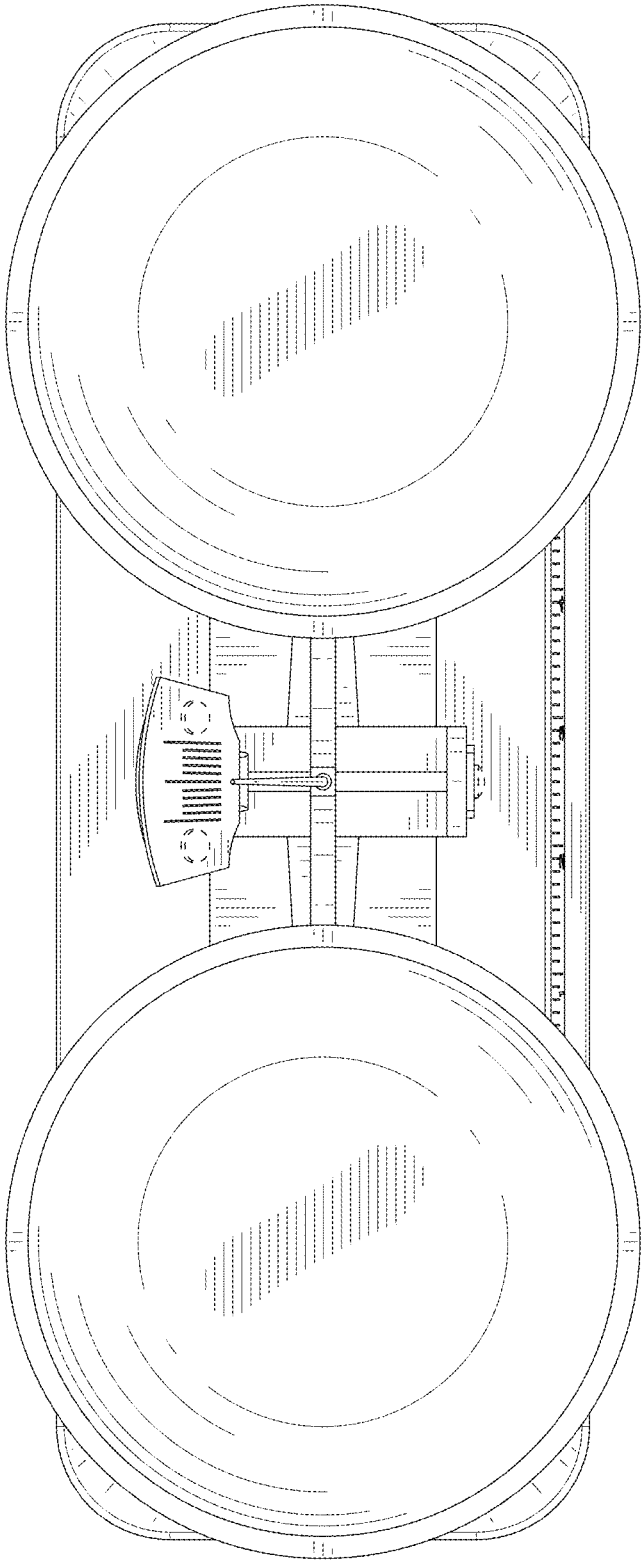


FIG. 7

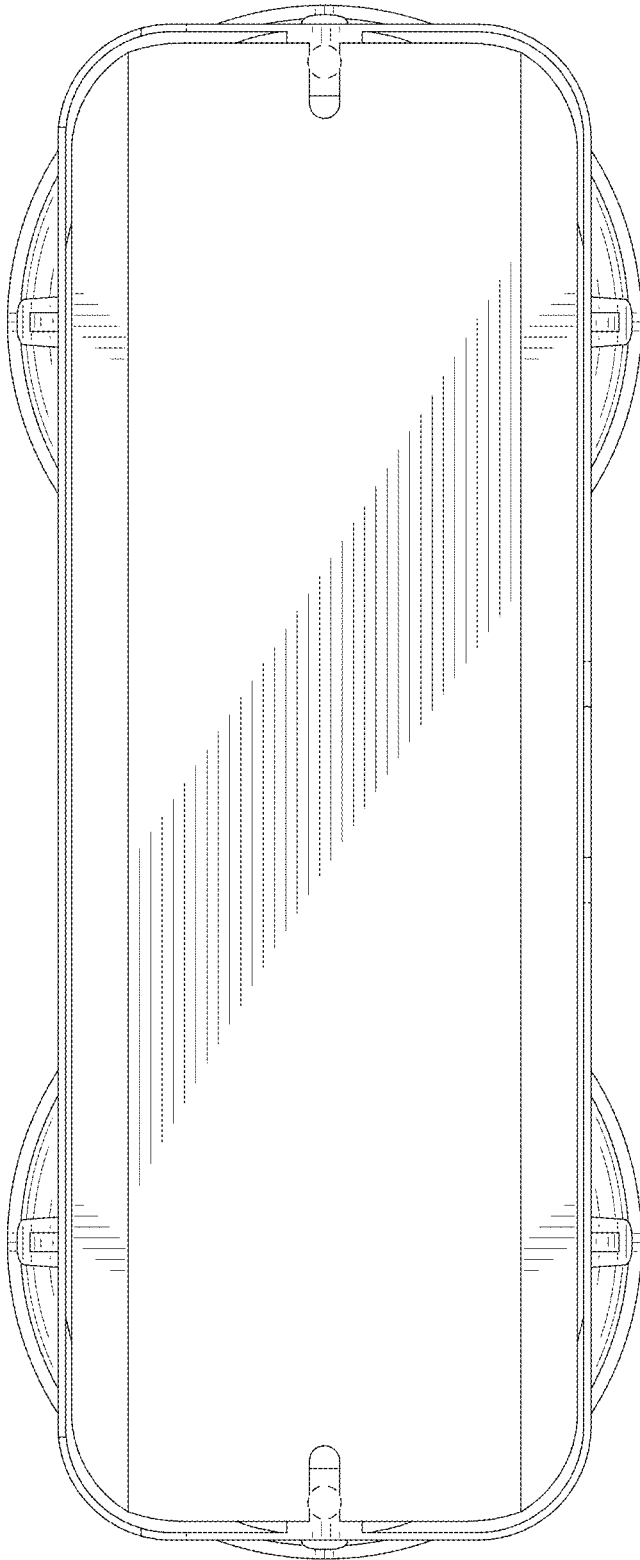


FIG. 8