



US00D862623S

(12) **United States Design Patent**
Hsu et al.

(10) **Patent No.:** **US D862,623 S**
(45) **Date of Patent:** **** Oct. 8, 2019**

- (54) **INFLATABLE U-SHAPED CHAIR**
- (71) Applicant: **Intex Marketing Ltd.**, Tortola (VG)
- (72) Inventors: **Yaw Yuan Hsu**, Fujian (CN); **Kun Chao Hsu**, Fujian (CN)
- (73) Assignee: **Intex Marketing Ltd.**, Tortola (VG)
- (**) Term: **15 Years**

D531,250 S * 10/2006 Peterson D21/809
 8,366,502 B2 * 2/2013 Lin B63B 35/73
 441/129

D711,488 S 8/2014 Lau
 D719,630 S 12/2014 Berenson
 D766,393 S * 9/2016 Lau D21/803
 D794,738 S 8/2017 Peterson
 D803,965 S 8/2017 Peterson
 D816,179 S 4/2018 de Grasse
 (Continued)

- (21) Appl. No.: **29/655,765**
- (22) Filed: **Jul. 6, 2018**

(30) **Foreign Application Priority Data**

Jan. 10, 2018 (CN) 201830010553.4

- (51) **LOC (12) Cl.** **21-02**
- (52) **U.S. Cl.**
USPC **D21/803**
- (58) **Field of Classification Search**
USPC D6/597-599, 601; D12/316; D21/803,
D21/805, 806, 808, 809; D24/193-195
CPC A47D 15/001
See application file for complete search history.

(56) **References Cited**

U.S. PATENT DOCUMENTS

D306,474 S * 3/1990 Scheurer D21/809
 D308,403 S * 6/1990 LaForce, Jr. D12/316
 D313,452 S * 1/1991 Overton D12/316
 D349,145 S * 7/1994 Haughey D21/809
 D371,252 S 7/1996 Chaput
 D384,721 S * 10/1997 Peterson D21/809
 D407,230 S 3/1999 Lieberman
 D466,176 S * 11/2002 Peterson D21/803
 D485,593 S 1/2004 Muci
 D490,493 S 1/2004 Muci
 D490,134 S 5/2004 Peterson
 D501,112 S * 1/2005 Kasatshko D21/809
 D513,915 S * 1/2006 Jacklin D21/809

OTHER PUBLICATIONS

Poolmaster 85687 Adjustable Chaise Lounge Poolmaster: Published Sep. 12, 2009 [online], site visited Apr. 23, 2019. Available from Internet URL: https://www.amazon.com/dp/B0007P2PRO/ref=cm_sw_r_tw_dp_U_x_yD4VCb70J7WGD (Year: 2016).*

(Continued)

Primary Examiner — Jack Reickel
Assistant Examiner — Melvin L Davis
(74) *Attorney, Agent, or Firm* — Faegre Baker Daniels LLP

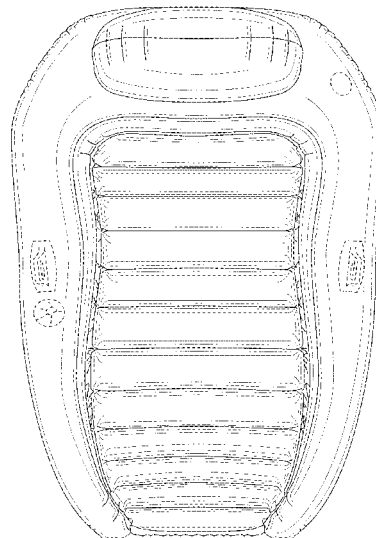
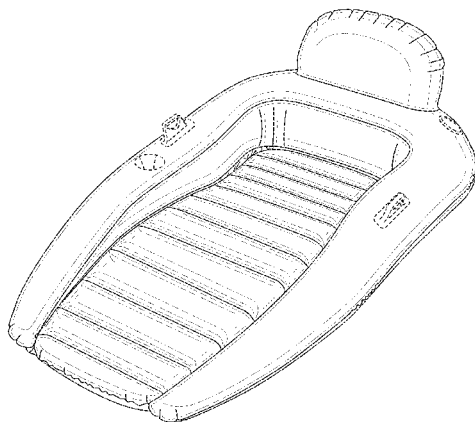
(57) **CLAIM**

We claim the ornamental design for an inflatable U-shaped chair, as shown and described.

DESCRIPTION

FIG. 1 is a perspective view of an inflatable U-shaped chair; FIG. 2 is a top plan view thereof; FIG. 3 is a bottom plan view thereof; FIG. 4 is a front elevational view thereof; FIG. 5 is a rear elevational view thereof; FIG. 6 is a left side elevational view thereof; and, FIG. 7 is a right side elevational view thereof. The broken lines in FIGS. 1-7 represent portions of the inflatable U-shaped chair that form no part of the claimed design.

1 Claim, 6 Drawing Sheets



(56)

References Cited

U.S. PATENT DOCUMENTS

D819,152 S * 5/2018 Liu D21/803
D821,521 S * 6/2018 Peterson D21/803
D842,626 S * 3/2019 Zanki D6/601

OTHER PUBLICATIONS

Solstice by Swimline Malibu Mattress Swimline: Published Jul. 10, 2014 [online], site visited Apr. 23, 2019. Available from Internet URL: https://www.amazon.com/dp/B00IPOQ80O/ref=cm_sw_r_tw_dp_U_x_1P5VCbWQ7QMA7 (Year: 2016).*

* cited by examiner

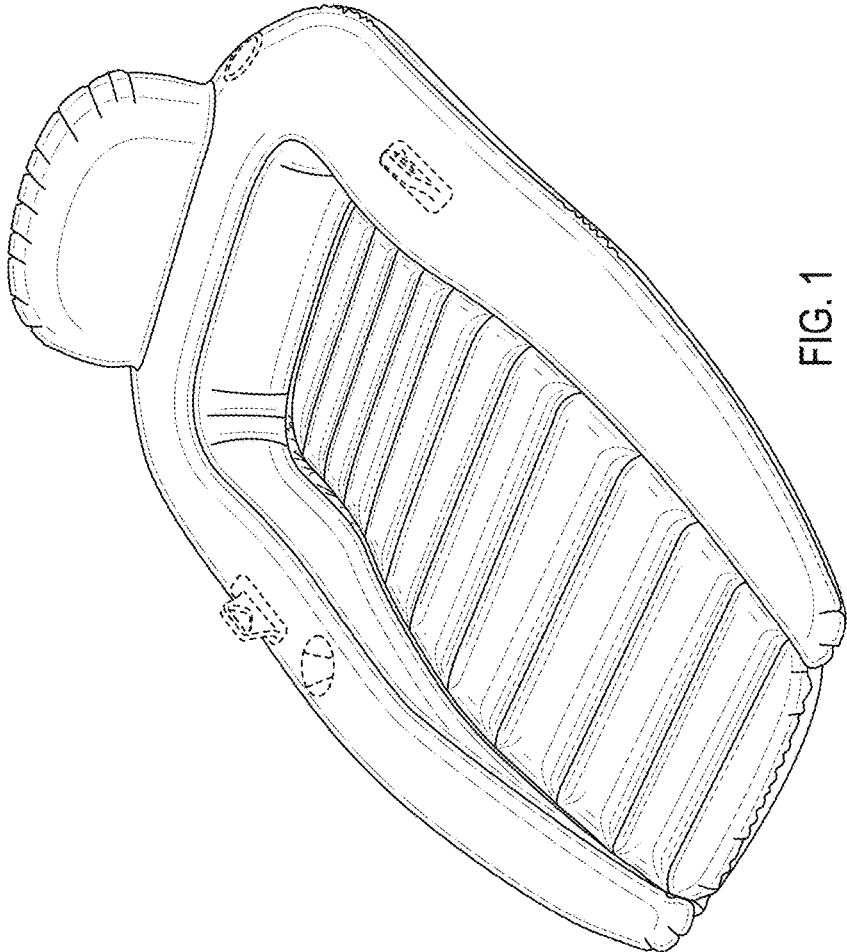


FIG. 1

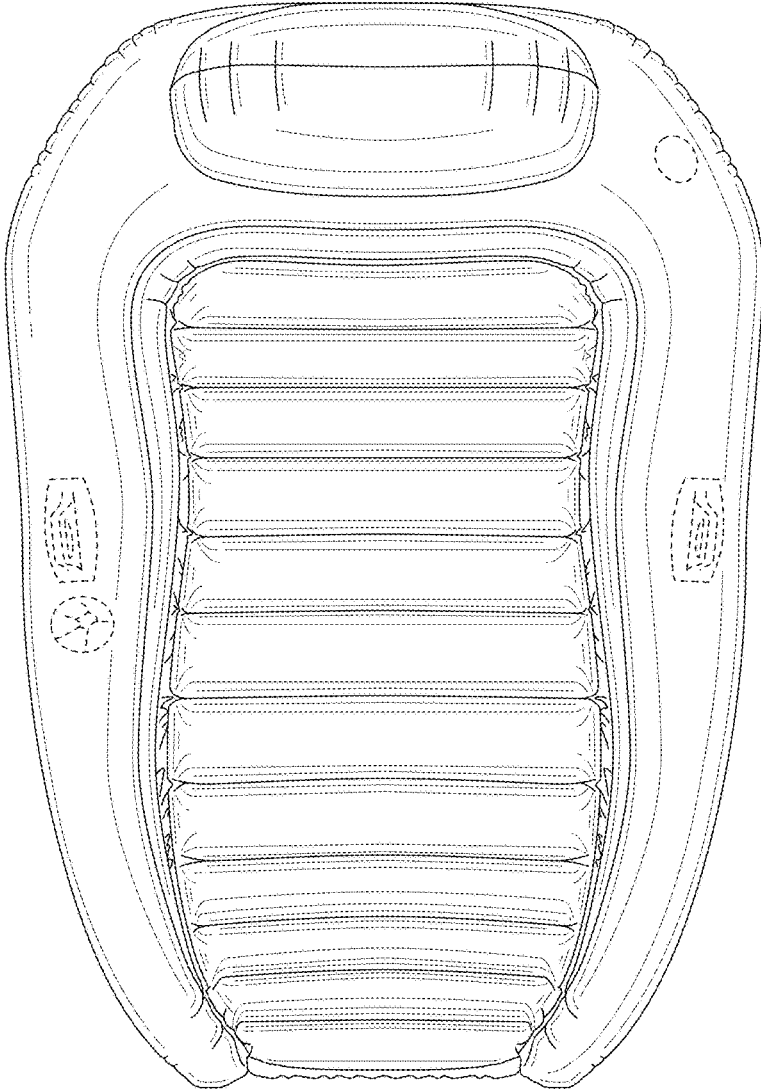


FIG. 2

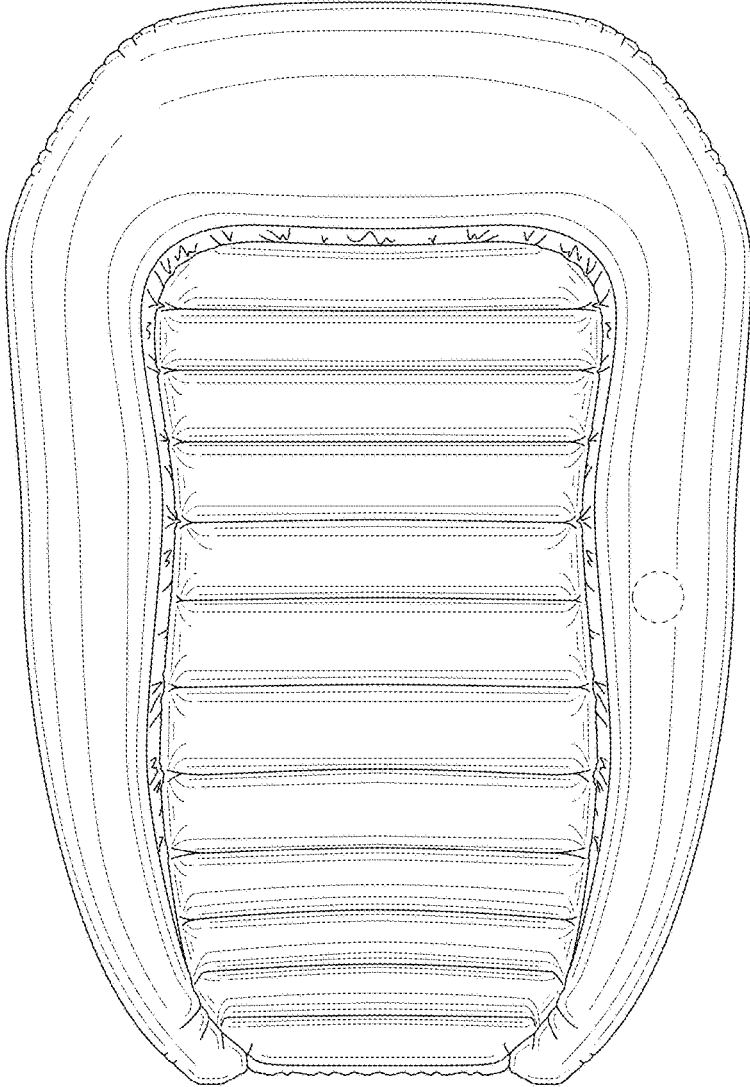


FIG. 3

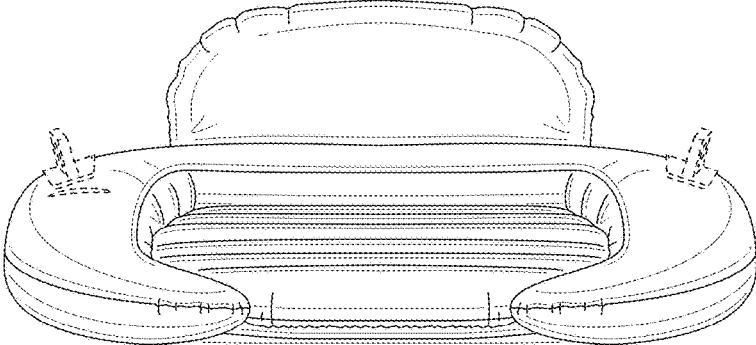


FIG. 4

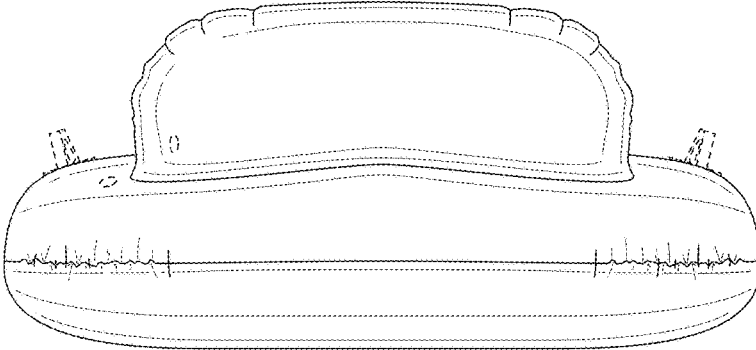


FIG. 5

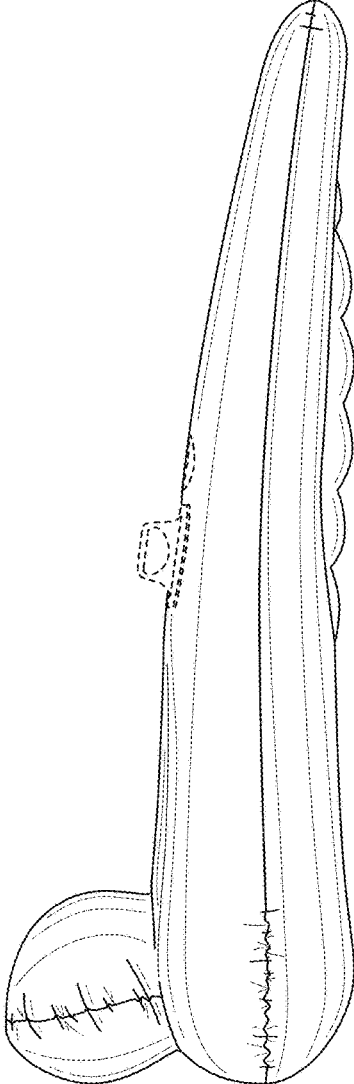


FIG. 6

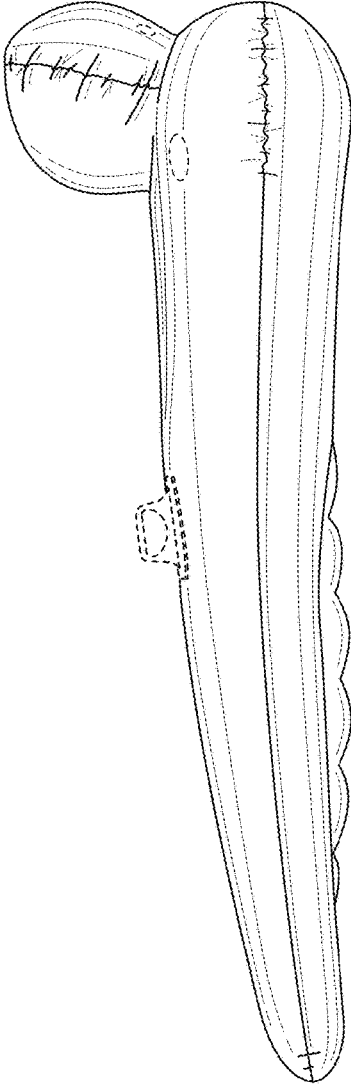


FIG. 7